

---

## PRODUCT BROCHURE

SALTO Systems' unique networked wire-free escutcheons and electronic cylinders can be used for an extensive range of access control applications. It's the first data-on-card RFID system that can be upgraded at any time. Now with advanced SALTO XS4 online battery-operated wireless lock system, you can experience real-time access control solutions without the need for wiring.

**Welcome to the access, Welcome to SALTO Systems.**

[www.saltosystems.com](http://www.saltosystems.com)

**SALTO**  
inspired access



A close-up photograph of a person wearing a white lab coat and a blue nitrile glove, using a soldering iron to work on a circuit board. The background is blurred, showing other people in white lab coats. A blue semi-transparent box is overlaid on the center of the image, containing text.

## SALTO Systems one jump ahead

Since 2001 SALTO has been delivering the most technologically advanced electronic access control solutions in the market - wire-free and keyless. By creating the data-on-card based SALTO Virtual Network (SVN), SALTO has revolutionized access control around the world and set new standards in security, comfort and cost-effectiveness which will remain future proof.

The SALTO XS4 platform offers a wide range of the most comprehensive and versatile products, which allows SALTO to provide access control for the most diverse sectors - from office and government buildings to healthcare, public institutions, education, hospitality and airports.

Driven by continuous innovation and development, SALTO has established itself over more than ten years as one of the top five market-leading providers of electronic access control solutions. In addition to its headquarters in Oiartzun (Spain), SALTO now has offices in 28 countries worldwide. SALTO access control solutions can be found in over 90 countries on more than 3 million access points.

# XS4

## WIRE-FREE NETWORKED ACCESS CONTROL SOLUTIONS

Secure & control  
virtually every  
access point

---

<b>SALTO XS4</b>	
Benefits & Customer Solutions	4
<b>TECHNOLOGY &amp; HOW DOES THE SYSTEM WORK?</b>	<b>8</b>
SALTO RFID Scalable (ROM)	10
SALTO Virtual Network (SVN)	12
SALTO Wireless	14
SALTO JustIN Mobile Solutions	16
SALTO KS	20
SALLIS - Integrations	24
<b>XS4 PLATFORM</b>	<b>26</b>
XS4 Electronic Escutcheons	28
XS4 Mini Electronic Door Locks	48
XS4 AElement Stylish Locks [WIDNA]	60
XS4 GEO Electronic Cylinders	70
XS4 Wall Readers	90
XS4 Vehicle Access	102
XS4 Control Units (CUs)	106
XS4 Locker Locks	116
XS4 Advanced Panic Bar Solutions	120
XS4 Mortise Locks	126
<b>XS4 PLATFORM COMPONENTS</b>	<b>138</b>
XS4 Wireless System Peripherals	140
XS4 Energy Saving Devices (ESD)	141
Access Control Management Tools	142
Credentials	144
<b>XS4 PLATFORM SOFTWARE</b>	<b>146</b>
ProAccess SPACE	148
Hospitality Add-ons	154
<b>SALTO KS PLATFORM COMPONENTS</b>	<b>156</b>
SALTO KS IQ	158
SALTO KS Tags	159
SALTO KS App	160
SALTO KS Web-App	160
<b>COMPANY PROFILE</b>	<b>162</b>
Contact	163



## SALTO Systems access control solutions

Inspiration, dedication and passion have led SALTO to become one of the world's top five manufacturers of electronic access control systems in little more than 10 years.



# Customer solutions

SALTO access control solutions are in use worldwide in a never-ending range of challenging and unique applications and facilities.

Core markets include commercial and manufacturing environments, public institutions, healthcare facilities of all types, educational settings and campuses, transport installations, leisure facilities, as well as the hospitality sector. SALTO solutions cover so many projects in so many markets due to the scalability of the system -- smaller projects can be implemented and then as required easily expand to larger, even transnational solutions for up to 4 million users and 65,000 doors.



## COMMERCIAL Applications

SALTO solutions are in use around the world in many types of office buildings, where they provide security, access control and staff and workforce management.



## RETAIL Applications

SALTO solutions makes access control a simple and secure solution for retail to manage keys, users and doors across multiple locations to ensure that only the right people get through.



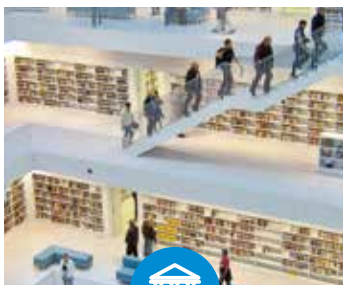
## EDUCATION Applications

SALTO solutions are in use around the world in educational environments providing 24/7 security, access control and campus management.



## HEALTHCARE Applications

SALTO solutions are in use around the world in healthcare environments where they provide security, access control and resident and staff management.



## GOVERNMENT Applications

SALTO solutions are in use in all types of public administration buildings, where they provide security, access control and personnel management.



## TRANSPORT Applications

SALTO solutions are in use around the world in airports, train, metro and bus stations, ports and ships, warehousing and more where they provide security, access control and passenger and employee management.



## HOSPITALITY Applications

SALTO Hospitality solutions take care of property security, as well as streamlining and maximizing staff management activities and improving guest experience.



## LEISURE Applications

SALTO solutions are in use in a wide variety of leisure and entertainment facilities where they provide security, access control and visitor and staff management.

[www.saltohospitality.com](http://www.saltohospitality.com)

# Wire-free access control

# The benefits of a SALTO solution

## SALTO brings you more Security

Inventors of SALTO Virtual Network (SVN) with patented and fast read and write data-on-card technology, expertise in applying virtual networks in the most secure way.



## SALTO brings you more Flexibility

Complete hardware and software platform, which fits virtually any door and any access point and suits all vertical markets.



- ✓ Compatible with most common RFID technologies.
- ✓ Compatible with leading physical security information management systems (PSIM).
- ✓ Reliable products due to extensive in-house R&D, in-house production and in-house quality management.

- ✓ Open architecture and standardized interfaces allow seamless integration.
- ✓ Future-proof scalability.
- ✓ Longest in-depth knowledge of virtual network technology.
- ✓ Integration of legacy credentials, and compatibility with other systems through multi-application.
- ✓ Market-driven development.

At SALTO, our goal is to always give our customers the products they need to meet and surpass the challenges they face. It's why we go the extra mile to design and manufacture innovative solutions using the latest technologies in order to meet requirements both now and in the future – whatever the market.

SALTO brings you greater  
**Efficiency**

Mechanical key management is costly, unsecure and a hassle. Upfront costs of replacing master keys, drilling out locks, updating all affected users' keys, plus indirect costs like maintenance team productivity can be substantial.



SALTO brings you better  
**Usability**

Effective and time-saving management of all online, offline and wireless access points and applications in one software package.



- ✓ Cost-saving maintenance of door components.
- ✓ Maximized ROI through buy-once philosophy.
- ✓ Upfront investment is substantially less than with traditional wired access control solutions.
- ✓ SALTO hardware is designed to cost-effectively meet international wireless technology standards.

- ✓ Different applications apart from doors can be included.
- ✓ Software structured around users and doors, easy navigation, user-friendly management.
- ✓ Multi-application allows one credential to be used for different applications.
- ✓ Update the access plan quickly, easily and securely.

# XS4 Platform

## next generation keyless access control

SALTO has developed a suite of access control solutions that balance security with accessibility, and advanced technology with affordability. By embedding high performance electronic access control into their infrastructure, users can protect their people, assets and buildings while providing world-class facilities.

Realising tomorrow's keyless buildings today with innovative thinking and advanced technology.

Having revolutionized access control around the world in sectors where security is critical -

from airports and healthcare to government, education and hotels -- we continue to deliver the most advanced and flexible electronic locking solutions on the market.



### Wire-free

SALTO's wire-free, read & write electronic locking solutions technology enables each door lock to communicate with a central control database.



### Design

Wire-free, easy to install electronic locking systems can be fitted to almost any type of existing door and lock standards that are already in place, anywhere.



### Management

Manage access rights to control who goes where and when, while leaving behind an audit trail.





**RFID**  
**RFID Based Scalable Technology**



**SVN**  
**SALTO Virtual Network**



**WIRELESS**  
**Advanced Wireless System**



**JustIN Mobile Solutions**

**Discover our access control solutions**

The SALTO XS4 access control platform combines electronic door components, peripherals and software, providing tailor-made, wire-free networked access control solutions. Everything fits together, everything works.

**SECURE, FLEXIBLE AND WIRE-FREE**



**KS**  
**SALTO KS Keys as a Service**



**SALLIS**  
**Integrations**



RFID Scalable  
Technology

# XS4

## RFID-based scalable access control technology ROM system

SALTO Systems' unique new networked escutcheons and cylinders can be used for an extensive range of access control applications. It's the first RFID system that can be upgraded at any time. Whether that be a simple self-programmable or ROM system, or a one card technology, SALTO Virtual Network (SVN) system allows you to control all the doors in an entire building or group of buildings from a single PC, or control and management of all access points remotely and in real-time with SALTO Wireless technology.

### You choose the level of security control you need.

#### SIMPLE & SECURE SYSTEM FOR KEY MANAGEMENT

It provides all the benefits of a stand-alone access control system in a compact, cost effective package for user, key and door management for small installations.

Through an easy to use software you can create keys, users and doors, user groups and zones, and set time periods and opening modes that instruct the door to lock or unlock automatically as needed.

#### SCALABILITY, FLEXIBILITY AND FUNCTIONALITY

SALTO has the options you need to find the right solution for the present and growing with you in the future.

From a simple self-programmable system that needs no computer to manage it, through a highly capable mid-range ROM system or up to the data-on-card SALTO Virtual Network (SVN) system that allows you to control all the doors in an entire building or group of buildings from a single PC, SALTO has what you need.

#### MAIN FEATURES AND BENEFITS:

**Completely compatible with the SALTO XS4 escutcheon range.**

**Computer managed**, allowing for the configuration of the electronic escutcheons, monitoring of access flows, recording access, adding and removing users and setting up the user access profile.

**The system can manage up to 16,000 users and 65,000 doors.**

**7 different opening modes** to suit your needs (standard, free passage ability, free passage with automatic locking, automatic opening, toggle and timed toggle).

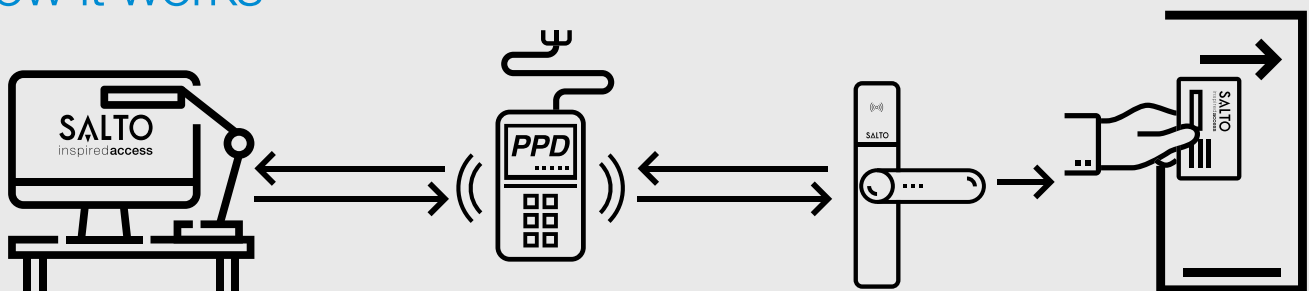
**30 time zones**, 4 calendars and 680 door events held in the electronic escutcheon/electronic cylinder memory.

**The system can be upgraded** simply by using a Portable Programming Device (PPD), making it possible to upgrade to a data-on-card SVN system when your needs change.

**Multi-application** through the contactless carrier enables use of existing contactless RFID smart cards.

#### ROM

### How it works



#### ProAccess ROM

- Add or delete users
- Set up user profiles (calendars, shifts...)
- Change escutcheon opening modes
- Event audit trail
- Stand-alone locks battery status remote report

#### Contactless Portable Programming Device (PPD)

Each time you connect the PPD to an escutcheon, electronic cylinder or wall reader, the event audit trail and battery status will be automatically downloaded.

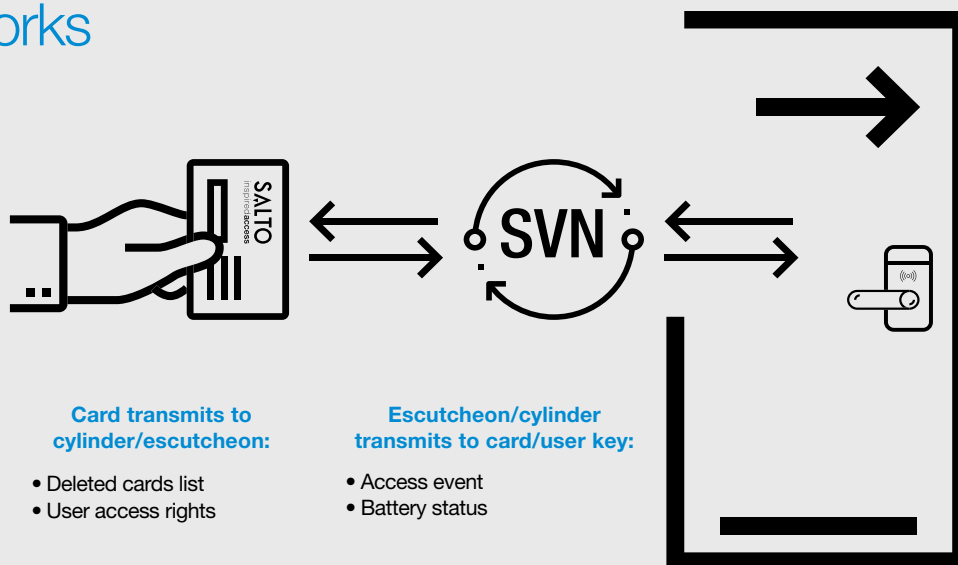
#### XS4 RFID Escutcheon / Cylinder / Wall Reader

Any changes you make such as: adding new users, deleting users, updating the escutcheons, electronic cylinders or wall reader, or collecting the event audit trail are done through its ProAccess ROM software and contactless PPD.



Access at offline point:

## How it works



Totally wire-free and networked through SALTO Virtual Network.

# XS4

## SALTO

### SVN data-on-card access control system

Easy to use system that integrates all your physical security needs through networked, stand-alone locks and online readers, giving you real-time access control for virtually all of the doors on your facility. This innovative, wire-free technology allows stand-alone electronic escutcheons to read, receive and write information via its operating smart cards. This data is captured from the cards at SVN online IP access points located at strategic points around the building. The “updating points” upload and download user related information that is then used to permit, control or deny access.

## Wire-free networked locking system

### NETWORKED READ & WRITE TECHNOLOGY

The exchange of information between the carriers and the offline elements is in a two-way communication.

The SALTO Virtual Network (SVN) is a data-on-card system based on a patented read/write technology. In SVN all user-related access information is stored on ID credentials which act as carriers. The access rights are updated at hard-wired online IP access points.

### SECURED AND ENCRYPTED

The exchange of information via RFID carriers is secured and encrypted.

Simply by using the RFID card on the network, you distribute all the latest access information to the offline stand-alone electronic escutcheon, including the data on deleted cards, while at the same time picking up electronic escutcheon data like opening events and battery status.

### MAIN FEATURES AND BENEFITS:

**Cost-effective**, quick and easy installation as only update points require hard-wiring.

**Control and management of all access online and offline points remotely** from one or more workstations through SALTO ProAccess SPACE.

**Extremely secure investment** as SALTO SVN can be extended up to 65,000 doors, even on different sites in different countries, if required.

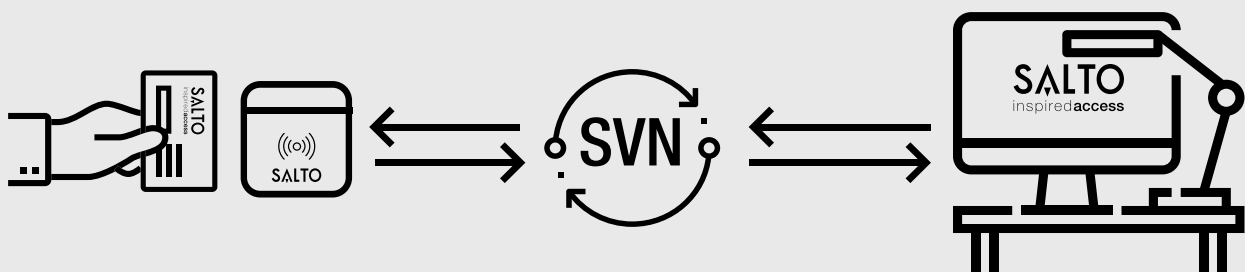
#### Secure:

- In case of a power failure, the access control system keeps functioning because of its battery-operated escutcheons and cylinders.
- Emergency openings can be performed through the PPD.
- Multiple workstations through SALTO ProAccess SPACE.

**More than 10 different opening modes** to suit your needs (standard, free passage ability, free passage with automatic locking, automatic opening, toggle, timed toggle...).

**Available for all mainstream RFID technologies;** also multi-applications. One single carrier can be the access credential and can also be used in time and attendance or cashless payment systems.

### Access at online point:



#### Card transmits to the system via wall reader:

- User access event
- Visited door battery status

#### Wall reader transmits to card / user key:

- Deleted card list
- Updated user access rights
- Expiry date renovation

#### ProAccess SPACE functions:

- Add or delete users remotely
- User profiles updated easily (calendars, shifts ...)
- Dynamic event audit trail
- Remote stand-alone device battery status report
- Expiry date renovation

SALTO Virtual Network (SVN) capability is available in the entire XS4 platform (Escutcheons, cylinders, readers and lockers).



  
**WIRELESS**

Wireless  
real-time

# XS4

## SALTO

### Wireless real-time access control system

SALTO Wireless has been developed to meet the highest demands related to security and ease. This access control system is networked through radio frequency and especially designed for doors where real-time control is required. SALTO Wireless can be installed as an independent system or can complement SALTO Virtual Network (SVN) in areas of a building where real-time control is required.

## The access control you thought you'd never find.

### WIRELESS NETWORK ARCHITECTURE

**SALTO Wireless can be installed as an independent system or can complement SALTO Virtual Network (SVN).**

SALTO Wireless connects battery-powered electronic escutcheons and cylinders by means of radio transceivers with gateways which are connected by TCP/IP to the central management computer.

### EASY AND SECURE REAL-TIME MANAGEMENT

**SALTO Wireless is configured, controlled and managed in real-time with just the click of a mouse.**

Changing or deleting access rights, downloading audit trail information from the escutcheons and cylinders, collecting the battery status and much more is done in real-time in a very efficient way. Even if the radio link is interrupted or breaks down, the system will continue to work, as the virtual network of the battery-operated escutcheons and cylinders remains operative through SALTO SVN.

### MAIN FEATURES AND BENEFITS:

**Completely compatible with the SALTO XS4 escutcheon range.**

**Cost-effective**, quick and easy installation as completely wireless.

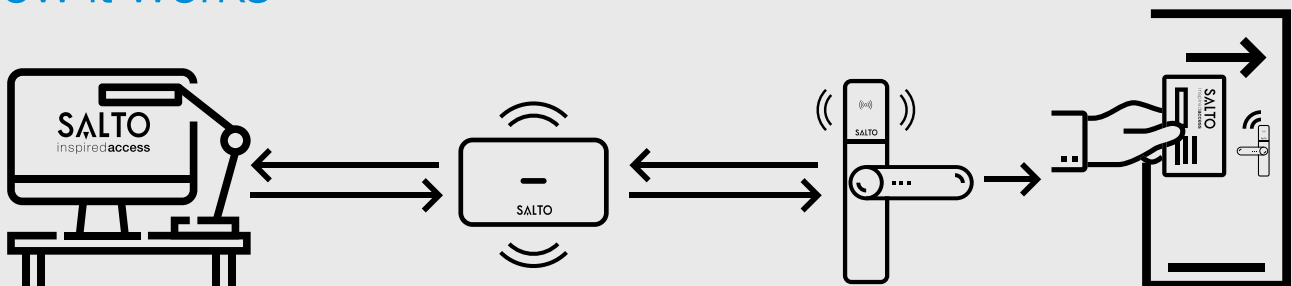
**Control and management of all access points remotely and in real-time** from one or more administrator workstations through SALTO ProAccess SPACE.

**If radio frequency is interrupted** or breaks down, the access system will continue to work, as the virtual network of the battery-operated escutcheons and cylinders remains operative through SALTO SVN.

#### Advanced features and functions:

- Highly secured, meets RF IEEE 802.15.4 at 2,4Ghz Standard and is AES 128 bit encrypted.
- XS4 wireless escutcheons and cylinders receive blacklist information and remove cancelled keys from the system in real-time.
- Receive audit trail information in real-time and view door access without having to visit the door.
- Real-time door control: This includes door alarm, intrusion alarm, single lockdown and remote door opening.
- Real-time battery control enables maintenance to view escutcheon power status in real-time.

## How it works



#### ProAccess SPACE functions:

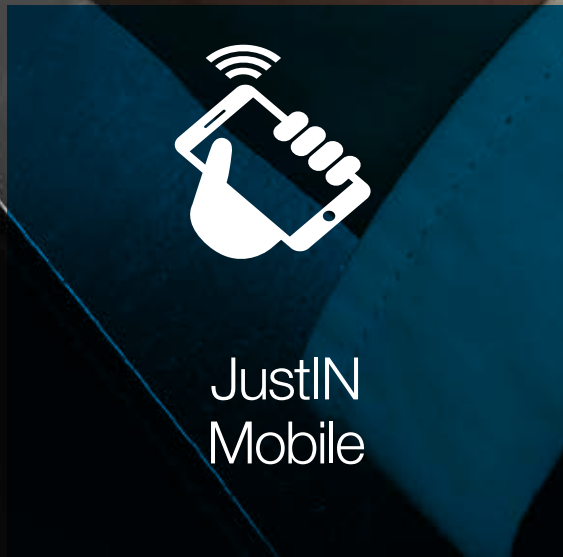
- Access event
- Key cancellation
- Door monitoring
- Graphical mapping
- Battery status
- Remote emergency opening
- Lockdown in case of emergency situation
- Opening function mode

#### Gateway transmits to cylinder/escutcheon:

- Deleted card list
- Updates to the escutcheon or cylinder

#### Cylinder/escutcheon transmits to gateway:

- Access event
- Battery status
- Intrusions alarm





# XS4

## SALTO

### JustIN Mobile

access control system

SALTO's JustIN mobile technology makes it easy and secure to incorporate smartphones as a part of your access control solution. Using SALTO's JustIN technology, these solutions easily and flexibly bring better security and usability to both end users and system managers. End users gain convenience and productivity without sacrificing security, while facility managers distinguish their property with cost effective solutions that clients truly value.

## Mobile-based access control solution - BLE & NFC

### YOUR PHONE IS YOUR KEY

**SALTO's JustIN Mobile technology allows users to use their smartphone to access doors.**

The intuitive JustIN Mobile app communicates securely via the cloud and allows users to receive their keys online, anytime and anywhere. The JustIN Mobile app allows for the receipt of both user and hardware event information (access granted, access denied, lock battery status, etc) OTA (Over The Air), without the need of any additional infrastructure.

### SIMPLE AND SECURE

**JustIN Mobile allows users to access a door with their BLE or NFC-enabled smartphone, simply and securely.**

And now, the JustIN Mobile app also features bi-directional communication so that user events (Access granted, Access denied, ...) and lock battery status are sent back to the system OTA (Over The Air) without the need for any additional infrastructure. JustIN Mobile app allows users to request the new permissions without the need of an operator instantly and remotely.

### MAIN FEATURES AND BENEFITS:

**Completely compatible with the SALTO XS4 escutcheon range.**  
**Computer managed** through SALTO ProAccess SPACE.

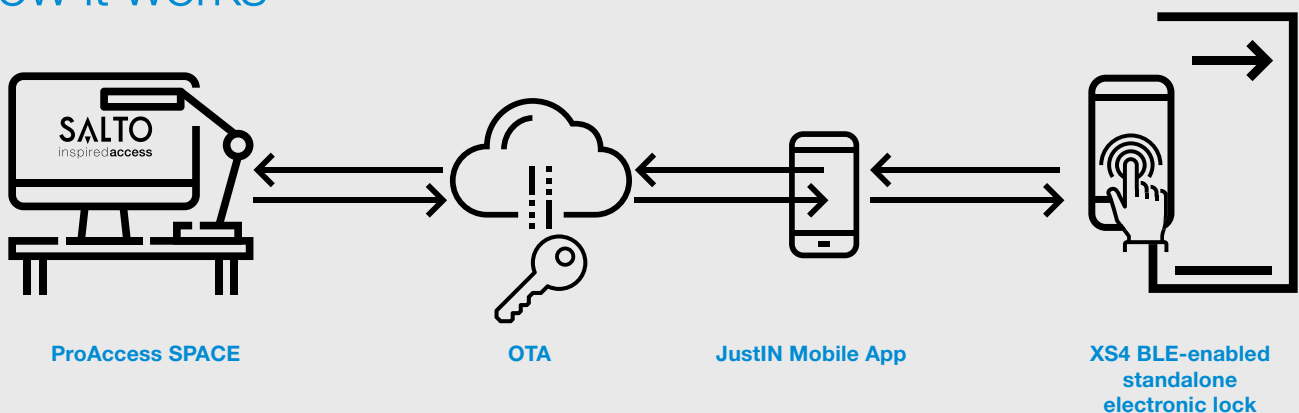
#### User Friendly:

- End user decides how to receive a key: as a JustIN Mobile or as a physical credential.
- Allows extending access or changing access rights instantly and remotely.
- Works with a user's existing iOS and Android smartphone devices.
- JustIN Mobile app lets an end user receive their key online, anytime and anywhere.

#### Secure:

- Smartphone authentication technology for verifying a mobile user's identity: PIN / Fingerprint.
- AES 128 bit communication and secure opening procedure with key received securely encrypted using SSL (Secure Socket Layer).
- Instant key updates or key cancellations.
- Real-time access right changes, audit trails, and blacklisting lost keys.
- For a higher security level, no information is stored in the SALTO JustIN Cloud. SALTO JustIN Cloud is used only as a bridge between SALTO ProAccess SPACE software and the JustIN Mobile app.

## How it works



New access rights given by system administrator.

Users receive their keys OTA (Over the Air), anytime and anywhere at a registered and verified smartphone.

Users utilize their smartphones to select and open the door. All data transmission and the mobile key itself are encrypted and secured against cloning.

The app sends lock audit trail and low battery status monitoring for maintenance needed operations.



Welcome to Justin mobile SVN key up



Powered by  
**SALTO**



Justin  
mSVN

# XS4

## SALTO

### JustIN mSVN

access control system

SALTO's JustIN mSVN (mobile SALTO Virtual Network) is an innovative technology developed by SALTO to update a user's access rights Over the Air (OTA) by using SALTO's mSVN app for NFC-enabled phones. By allowing users to update their credentials remotely, SALTO's JustIN mSVN increases flexibility and usability without compromising security.

## Your keyless mobile world - NFC

### UPDATE YOUR KEY WITH YOUR PHONE

**With JustIN mSVN, it's now possible to update cards remotely.**

An innovative technology developed by SALTO to update a user's access rights Over the Air (OTA) using SALTO's JustIN mSVN app for NFC-enabled phones.

### REAL-TIME CREDENTIALS

**SALTO's JustIN mSVN increases flexibility and usability without compromising security.**

Direct, real-time communication between the mobile device and the user's credential increases productivity and flexibility without sacrificing security by enabling updates to happen when and where they are needed, without a user having to pass by a wired update point. All an end user needs is an NFC-enabled smartphone to update their Mifare DESFire EV1 credential using the JustIN mSVN app, thereby extending the reach and flexibility of an installation's security.

### MAIN FEATURES AND BENEFITS:

**Completely integrated with the SALTO XS4 platform** (escutcheons, electronic cylinders, wall readers and locker locks), making it easy to customise to your exact needs, even in existing projects that are already running the SALTO system.

**Computer managed** through SALTO ProAccess SPACE.

**User friendly:**

- The application is designed for mobile phones with integrated NFC.
- An innovative, easy to use app to manage access rights and to update user credentials, even when in transit.

**Real-time credentials:**

- Credentials automatically updated in cycles and remotely in real-time simply by a user presenting their credential to their smartphone.
- Blacklist & Tag. IT dissemination that increases security without the need to wire or visit doors.
- Dynamic access plan: Revalidation = New key every day.

**Secure:**

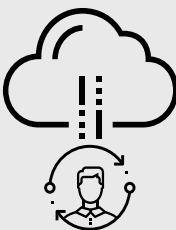
- Smart key compatibility: DESFire EV1 (AES - 3DES encryption). No information is stored in the cloud, and the cloud serves only as a transit point. The secure element is the DESFire EV1 credential.

## How it works



**ProAccess SPACE**

New access rights given to authorized users by system administrator.



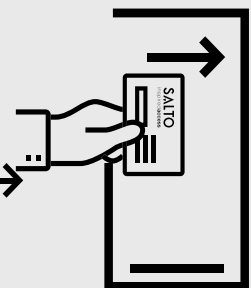
**OTA**

New rights sent OTA (Over the Air) to SALTO cloud service where they are then sent to registered users' NFC-enabled smartphone.



**JustIN mSVN App**

User updates credential by presenting it to smartphone using JustIN mSVN app, which serves as credential update point (same as a wired wall reader).



**Updated user key opens the door**

User opens doors with updated access rights on the credential.





# SALTO LOCKS

Keys as a Service

[www.saltoks.com](http://www.saltoks.com)

# SALTO KS

## SALTO KS

### Keys as a Service

SALTO cloud-based locking solution.

Its proven reliability and recognised stability brings cloud access control to every business, providing vastly better functionality and performance than is possible in a traditional mechanical solution with a flexible management system that requires no software installation nor the cost of a fully-wired electronic product - all you need is an online device with an Internet connection.

## Cloud access control, on-the-go and in real-time

### STOP REPLACING LOCKS

With SALTO KS there's no need to replace a lock if keys are lost or stolen. Simply block the SALTO KS tags and assign new ones.

In case someone has lost or did not return one of your SALTO KS tag you simply block them via the SALTO KS App. Blocking is real-time without any delay and when you retrieve a tag you simply unblock it.

### CONTROL WHO GOES WHERE AND WHEN

Saltoks.com allows you to individually define who can enter which doors during which time periods.

What no conventional key can do is change access rights on the fly. Within saltoks.com gives you the opportunity to individually determine who enters when and where. And if you want to change that, just log-in, make your changes and it's done. No updating of SALTO KS tag or SALTO KS access point required. Have you ever been able to do this with your current lock?

### OPEN DOORS REMOTELY

With SALTO KS "Code", SALTO KS' one-time password technology, users can open doors remotely without a key.

One of the cool but really functional features of SALTO KS is the remote opening of doors with secure one-time password technology. You may not use it every day but when you need it, you will be happy it's there.

### GAIN ACTIVITY INSIGHTS

Receive notifications regarding door and user activity.

Saltoks.com offers you a message center that allows you to selfconfigure messages. For instance: who entered when or a message letting you know that a door was left open. And any message can have its own recipients and 3 receiving device types: Email, SMS and App Push Messages.

## How it works

# SALTO \ KS



**SALTOKS.COM AND MOBILE APP**

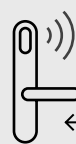
Your portal to your account, where you can create access groups, manage users and view entries to your properties from your computer or mobile devices.



**IQ**

The IQ is the hub of the SALTO KS solution.

Finds the best connectivity to communicate with SALTO KS locks and the SALTO KS apps.



**DOOR LOCKS**

The SALTO cylinder and escutcheon are specially designed to fit different profile doors; even narrow profile framed doors, it can be applied on the exterior doors as well. SALTO offers a wide range of finishes to choose from.



**TAG**

An RFID tag that makes keys a thing of the past.

The tag triggers the lock to engage within seconds so visitors or employees can enter easily and according to their access rights.



From wherever you are.  
**Regardless where your business is.**

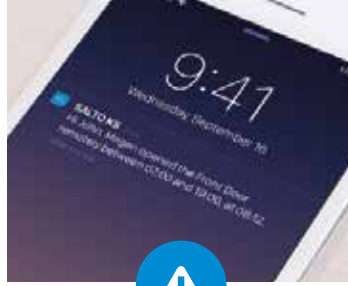
**SALTO KS solution makes access control a simple and secure solution for businesses to manage keys, users and doors across multiple locations.**





**ACCESS RIGHTS**  
**Who, where, when**

Saltoks.com allows you to individually define who can enter which doors during which time periods.



**MESSAGING**  
**Activity insights**

Receive notifications regarding door and user activity.



**MULTIPLATFORM**  
**Any device**

Manage SALTO KS from any device – phone, tablet, pc - all you need is an online device with an Internet connection.

# Any door, anywhere

No software installation, scaling on any device, secured login, intuitive design, anything you may expect from today's cloud is in SALTO KS solution.

SALTO customer does not need to worry about the doors running out of capacity, SALTO KS is effectively infinite in size. The solution also incorporates state of the art security measures in all components and more important, to keep updating that permanently. Not always visible but always there.

Manage locks, people, messages and access rights with no hassle. That's how a business access control should work. That's how SALTO KS works.



**INSTANT BLOCKING**  
**Stop replacing locks**

Tags replace that ring of keys, simply assign a tag, and define when and where that tag can go.



**REMOTE OPENING**  
**Wherever you are**

One of the really functional features of SALTO KS is the remote opening. Provide access without being physically there.



**SECURITY**  
**Secure APP**

With SALTO KS "Code", SALTO KS' one-time password technology, the system makes sure users have proper rights to perform changes.



SALTO \ SALLIS

Integrations



# SALLIS

## SALTO Lock Link System Integrations

In many security installations, there is a need for combining systems by different vendors. SALTO offers several ways to integrate with third-party products. This includes interfaces for connecting SALTO to third-party wired access control systems as well as integration with video surveillance, parking management, number plate recognition, biometrics, time & attendance, escape door control systems, Physical Security Information Management Systems (PSIMs), even training systems for safety instructions and much more.

## Seamless combination of different security systems.

### A NEW CONCEPT IN ACCESS CONTROL

**SALLIS technology enables you to link your access control system to the SALTO SALLIS wireless platform.**

It provides access control system capabilities to virtually any kind of door through a simple integration and without the need for any complex and expensive wiring through your company's access control panel or door controllers.

### A NEW WAY TO CONNECT PEOPLE TO ACCESS

**SALLIS uses an open standard protocol that enables a wide range of stand-alone locking devices to work seamlessly with but independently of your existing access control system or its manufacturer.**

There's no longer any need to hard-wire doors, giving you the ability to turn any door into a full-featured access control door where previously wiring was difficult, expensive or even impossible.

### MAIN FEATURES AND BENEFITS:

**Completely compatible with the SALTO XS4 wireless escutcheon range.**

**Cost-effective**, quick and easy installation as completely wireless.

**Powerful diagnosis tool** thanks to over 25 different event codes within the audit trail.

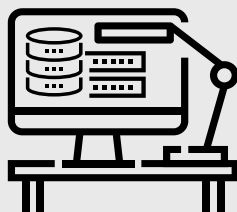
**Based on audit trail:** when lock is offline, lock will grant access to the user according to their last user event within the lock. For high transit doors.

**Based on white list system:** up to 20 master keys subject to time zones can be stored in the lock memory. With proper set up, no door will be left without control. 600 audit trail events are stored on the lock, regardless of the state of the communication with the host.

#### Features and functions:

- Wireless communication AES 128 bit encryption.
- Wireless communication at 2.4ghz based on IEEE 802.15.4.
- Online audit trail.
- Online battery status control.
- Live door monitoring.
- 20 emergency codes subject to time zones.

## How it works



### Host & database

The HOST is the access control panel where the information related to access is hosted (users, time periods, calendars, etc.).



### Router

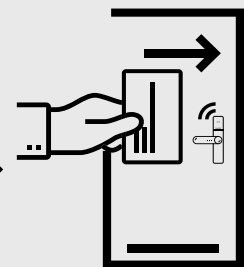
The SALLIS Routers and Nodes are the link between the host and the rest of the platform and enable communication with the wireless escutcheons and cylinders.



### Node

The wireless locking devices are the core of the locking system itself and enable control of doors without need for complex wiring installations.

SALTO \ SALLIS



### XS4 SALLIS escutcheon/cylinder

**The system consists of 4 elements that interact with each other to deliver the architecture of the system.**



## XS4 Escutcheons

### **XS4 FOR EUROPEAN MORTISE LOCKS**

- XS4 EU Standard
- XS4 EU DIN Standard
- XS4 EU with Keypad
- XS4 SKG\*\*
- XS4 Security
- XS4 Double Reader

### **XS4 FOR SCANDINAVIAN MORTISE LOCKS**

- XS4 Nordic Standard
- XS4 Nordic Security
- XS4 Nordic with Keypad

### **XS4 FOR ANSI MORTISE LOCKS**

- XS4 ANSI Standard
- XS4 ANSI with Keypad

### **XS4 FOR GLASS DOORS**

### **REFERENCE GUIDE**

- Handles
- Finishes
- Models

## XS4 BY SALTO | ELECTRONIC ESCUTCHEONS

Smart, secure, innovative and easy to install, the XS4 electronic escutcheon sets need no hard wiring and provide a totally wire-free networked electronic locking solution with a great range of features.

---

## Technical Data

### POWER SOURCE:

- XS4-40 narrow version: 3 alkaline batteries (LR03 - AAA 1,5V).<sup>(1)</sup>  
Optional 3 Lithium batteries (FR03 - AAA 1,5V - see environmental conditions).<sup>(2)</sup>
- XS4-60 wide version: 3 alkaline LR6 AA 1,5V. batteries.<sup>(1)</sup>  
Optional FR6 - AA1,5V. Lithium batteries.<sup>(2)</sup>

### NUMBER OF OPENINGS:

- i-Button version: up to 60,000 on 1 set of batteries.
- Contactless versions: Up to 40,000 depending on the RFID technology.
- Low battery power indication monitored through the SALTO Virtual Network (SVN).
- The last approx. 1,000 operations are signalled.

### ENVIRONMENTAL CONDITIONS:

- External escutcheon: 0° / 60° <sup>(1)</sup>
- External escutcheon: -20° / 60° <sup>(2)</sup>
- Internal escutcheon: -20° / 60° <sup>(2)</sup>

---

## Main Features

- Simple installation by changing handle set, reliable and durable.
- SALTO SVN and SALTO Wireless network capable.
- Door status detector to monitor intrusions or door left open status (wireless escutcheons only).
- User on card audit trailing capability via the SALTO Virtual Network (SVN).
- Covering the mainstream RFID technologies.
- NFC compatible.
- All communication between the carrier and the electronic lock is encrypted and secured.
- Low battery status information is obtained from carriers.
- The lock can always be opened from the inside (single action panic feature works in conjunction with the relevant mortise lock).
- High security protection via high resistance, hardened anti-drill plates to protect wiring and reader area.
- Handle fixed by steady fix system (patented).
- Concealed fixing screws for greater security and improved aesthetics.
- Available with mechanical cylinder cut outs for key override or access lock outs.
- Wide range of finishes, handles and retrofit cover plates.
- Suitable for emergency exits.
- Firmware upgrade through PPD.
- Emergency opening via portable programming device (PPD).

The XS4 escutcheon range is specially designed to fit on most standard doors, and work with the majority of Scandinavian, European and ANSI mortise locks and tubular latches.

---

## Access Control Features

### USERS & DOORS:

- Maximum number of users per door: 4 million.
- Maximum number of doors per system: 65,000.
- Access levels: unlimited.

### CALENDARS & TIME ZONES:

- Calendars in system: 256
- Timetables: 1024
- Time periods: 1024

### EVENTS:

- Maximum events on lock audit: 2200<sup>(3)</sup>.
- Non volatile memory (memory is not deleted, even if power fails).

### MANAGEMENT SOFTWARE:

- SALTO ProAccess SPACE.

### ID TECHNOLOGIES:

- Covering the mainstream RFID technologies.
- Compatible with ISO 14443A, ISO 14443B and ISO 15693 (Vicinity).

---

## Lock Modes

### STANDARD:

Locked at all times.

### OFFICE MODE:

Free passage.

### TIMED OFFICE:

Automatic locking at end time.

### AUTOMATIC OPENING:

8 pairs of "hands free" timed lock and unlocks per day with holidays.

### TOGGLE:

Present card to lock, present card to unlock.

### TIMED TOGGLE:

Present card to lock, present card to unlock depending on schedules.

### AMOK MODE:

Local lockdown of the escutcheon for emergency situations (AMOK escutcheon models only).

### EXIT LEAVES OPEN MODE:

The lock remains unlocked after the inside handle is used.

<sup>(3)</sup> Depending on the model

# XS4 One - EU

XS4 Ex70 | XS4 ONE EU

The SALTO XS4 One is the evolution of the Original model with a built-in, totally new reader available in two colours. This version is compatible with most European mortise locks and cylinders.



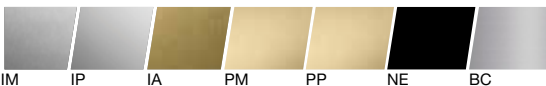
## FEATURES:

- Simple installation is possible on any type of door, including those with narrow frames.
- Body and escutcheon made of steel.
- Available with mechanical cylinder cut outs for key override or access lock outs (override European and Cam profile cylinder) with audit trail facility available.
- Mechanical or electronic privacy option.
- The lock can always be opened from the inside (single action panic feature works in conjunction with the relevant mortise lock).
- Complementary escutcheons without reader available to maintain the aesthetics of doors that do not need to be controlled.

## READER COLOUR:



## FINISHES:



IM IP IA PM PP NE BC

## TECHNICAL CHARACTERISTICS:

- Covers door thicknesses: From 32mm up to 120mm.
- Dimensions: 285mm x 42mm x 19,5mm.
- Reversible handle left or right escutcheon.
- Clutch mechanism escutcheon; when unlocked handle moves freely.
- Handle rotation: 45°.
- Distance from the handle to the cylinder: 47mm to 110mm.
- Compatible with DIN and European mortise locks, mortise locks with Swiss profile cylinder, Australian standard mortise locks and narrow style mortise lock.
- Compatible with European profile and Swiss profile cylinders.
- Square spindles available: 7mm, 7.6mm split (Australia), 8mm, 8mm split, 9mm and 9mm split.

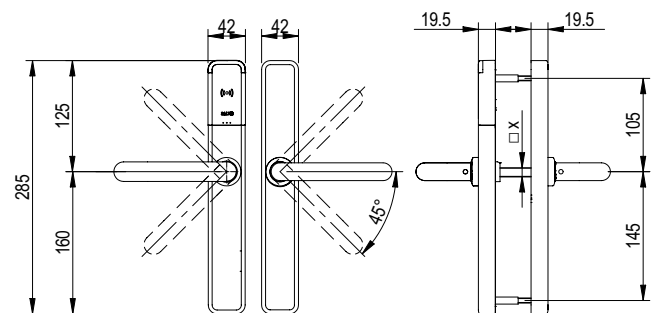
## PLATFORMS:



## ID TECHNOLOGIES :

- MIFARE® (DESFire EV1, Plus, Ultralight C, Classic - ISO/IEC 14443).
- Bluetooth SMART (BLE).
- NFC.

## TECHNICAL DRAWING:



## CERTIFICATIONS:



<sup>(1)</sup> Certifications in progress.

# XS4 EU

## Ex40 | XS4 ORIGINAL NARROW BODY VERSION

The SALTO XS4 Original narrow body version is specially designed to fit most Euro profile doors, even narrow profile framed doors. This version also works with the majority of European mortise locks and cylinders.



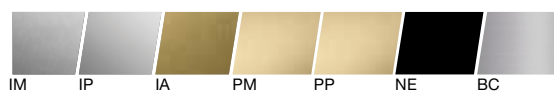
### FEATURES:

- Simple installation is possible on any type of door, including those with narrow frames.
- Body and escutcheon made of steel.
- Available with mechanical cylinder cut outs for key override or access lock outs (override European and Cam profile cylinder) with audit trail facility available.
- Mechanical or electronic privacy option.
- AMOK option for offline lockdown.
- The lock can always be opened from the inside (single action panic feature works in conjunction with the relevant mortise lock).
- Complementary escutcheons without reader available to maintain the aesthetics of doors that do not need to be controlled.

### READER COLOUR:



### FINISHES:



### TECHNICAL CHARACTERISTICS:

- Covers door thicknesses: From 32mm up to 120mm.
- Dimensions: 282mm x 40mm x 20mm.
- Reversible handle left or right escutcheon.
- Clutch mechanism escutcheon; when unlocked handle moves freely.
- Handle rotation: 33°.
- Distance from the handle to the cylinder: 47mm to 110mm.
- Compatible with DIN and European mortise locks, mortise locks with Swiss profile cylinder, Australian standard mortise locks and narrow style mortise lock.
- Compatible with European profile and Swiss profile cylinders.
- Square spindles available: 7mm, 7.6mm split (Australia), 8mm, 8mm split (Euro & ANSI), 9mm and 9mm split.

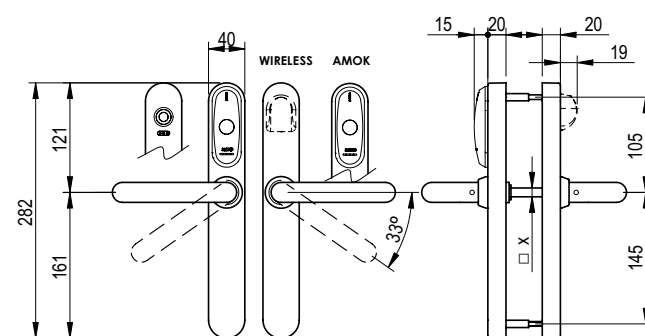
### PLATFORMS:



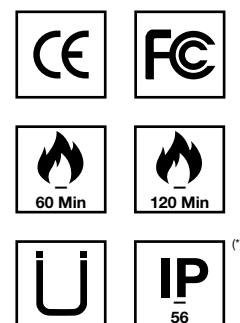
### ID TECHNOLOGIES :

- MIFARE® (DESFire EV1, Plus, Ultralight C, Classic - ISO/IEC 14443).
- Bluetooth SMART (BLE).
- NFC.
- Inside Picopass.
- LEGIC Prime and LEGIC Advant.
- HID iCLASS®.
- i-Button.

### TECHNICAL DRAWING:



### CERTIFICATIONS:



(1) External escutcheon.

# XS4 EU - Wide

XS4 Ex60 | XS4 ORIGINAL EU WIDE BODY VERSION

The SALTO XS4 Original wide version is specially designed to fit most Euro profile doors and work with the majority of European mortise locks and cylinders. It is specially designed for use on busy, high traffic doors that need additional strength.



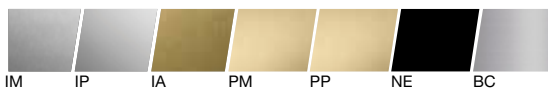
## FEATURES:

- Simple installation is possible on any type of door, including those with narrow frames.
- Body and escutcheon made of steel.
- Available with mechanical cylinder cut outs for key override or access lock outs (override European and Cam profile cylinder) with audit trail facility available.
- Mechanical or electronic privacy option.
- AMOK option for offline lockdown.
- The lock can always be opened from the inside (single action panic feature works in conjunction with the relevant mortise lock).
- Complementary escutcheons without reader available to maintain the aesthetics of doors that do not need to be controlled.

## READER COLOUR:



## FINISHES:



IM IP IA PM PP NE BC

## TECHNICAL CHARACTERISTICS:

- Covers door thicknesses: From 32mm up to 120mm.
- Dimensions: 290mm x 67mm x 20mm.
- Reversible handle left or right escutcheon.
- Clutch mechanism escutcheon; when unlocked handle moves freely.
- Handle rotation: 52°.
- Distance from the handle to the cylinder: 47mm to 110mm.
- Compatible with DIN and European mortise locks, mortise locks with Swiss profile cylinder, Australian standard mortise locks and narrow style mortise lock.
- Compatible with European profile and Swiss profile cylinders.
- Door thickness: Square spindles available: 7mm, 7.6mm split (Australia), 8mm, 8mm split (Euro & ANSI), 9mm and 9mm split.

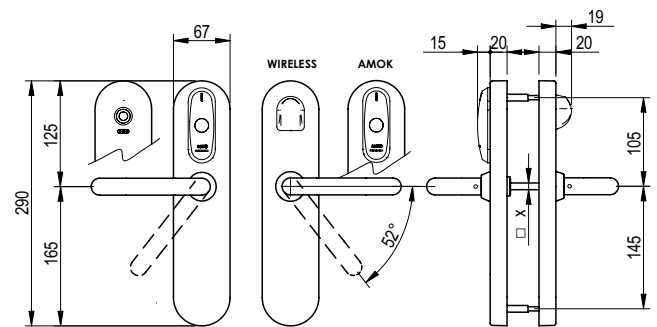
## PLATFORMS:



## ID TECHNOLOGIES :

- MIFARE® (DESFire EV1, Plus, Ultralight C, Classic - ISO/IEC 14443).
- Bluetooth SMART (BLE).
- NFC.
- Inside Picopass.
- LEGIC Prime and LEGIC Advant.
- HID iCLASS®.
- i-Button.

## TECHNICAL DRAWING:



## CERTIFICATIONS:



(<sup>1</sup>) External escutcheon.

# XS4 EU - Keypad

Ex60 | XS4 ORIGINAL EU KEYPAD

The SALTO XS4 Original electronic lock with keypad increases security and control, as it offers the choice of three forms of authentication to grant access.



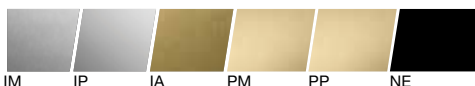
## FEATURES:

- Simple installation is possible on any type of door, including those with narrow frames.
- Body and escutcheon made of steel.
- Three forms of authentication configurations available to grant access:
  - Credential only.
  - Credential plus PIN.
  - Door code.
- Available with mechanical cylinder cut outs for key override or access lock outs (override European and Cam profile cylinder) with audit trail facility available.
- Mechanical or electronic privacy option.
- The lock can always be opened from the inside (single action panic feature works in conjunction with the relevant mortise lock).

## READER COLOUR:



## FINISHES:



IM IP IA PM PP NE

## TECHNICAL CHARACTERISTICS:

- Covers door thicknesses: From 32mm up to 120mm.
- Dimensions: 290mm x 67mm x 20mm.
- Reversible handle left or right escutcheon.
- Clutch mechanism escutcheon; when unlocked handle moves freely.
- Handle rotation: 52°.
- Distance from the handle to the cylinder: 47mm to 110mm.
- Compatible with DIN and European mortise locks, mortise locks with Swiss profile cylinder, Australian standard mortise locks and narrow style mortise lock.
- Compatible with European profile and Swiss profile cylinders.
- Door thickness: Square spindles available: 7mm, 7.6mm split (Australia), 8mm, 8mm split (Euro & ANSI), 9mm and 9mm split.

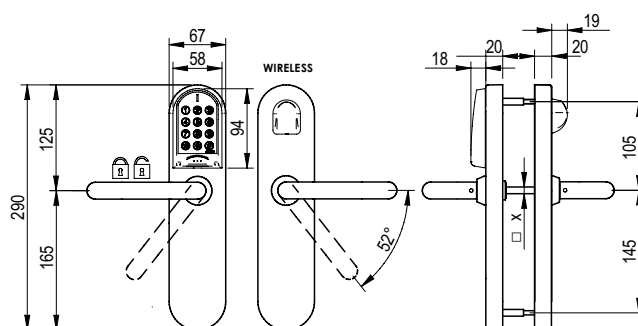
## PLATFORMS:



## ID TECHNOLOGIES :

- MIFARE® (DESFire EV1, Plus, Ultralight C, Classic - ISO/IEC 14443).
- NFC.
- HID iCLASS® (not available in SALLIS technology).

## TECHNICAL DRAWING:



## CERTIFICATIONS:



# XS4 EU - SKG\*\*

XS4 Ex4K | XS4 ORIGINAL EU SKG\*\* VERSION

The SALTO XS4 Original SKG is designed to suit the needs of those doors that necessitate special reinforcement or require SKG certification against burglary.



## FEATURES:

- Security escutcheon for protection against attack and unauthorized entry; SKG certification.
- Simple installation is possible on any type of door, including those with narrow frames.
- Body and escutcheon made of steel.
- Available with mechanical cylinder cut outs for key override or access lock outs (override European profile SKG\*\* emergency cylinder).
- AMOK option for offline lockdown.
- The lock can always be opened from the inside (single action panic feature works in conjunction with the SKG\*\* mortise lock).

## READER COLOUR:



## FINISHES:



IM IP BC

## TECHNICAL CHARACTERISTICS:

- Covers door thicknesses: From 32mm up to 120mm.
- Dimensions: 290mm x 40mm x 20mm.
- Clutch mechanism escutcheon; when unlocked handle moves freely.
- Reversible handle left or right escutcheon.
- Handle rotation: 33°.
- Distance from the handle to the cylinder: 47mm to 110mm.
- Compatible with DIN and European SKG\*\* mortise locks.
- Compatible with European profile SKG\*\* emergency cylinders.
- Door thickness: Square spindles available: 8mm, 8mm split, 9mm and 9mm split.

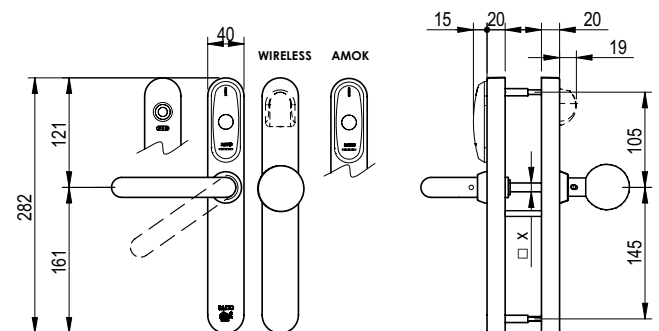
## PLATFORMS:



## ID TECHNOLOGIES :

- MIFARE® (DESFire EV1, Plus, Ultralight C, Classic - ISO/IEC 14443).
- Bluetooth SMART (BLE).
- NFC.
- Inside Picopass.
- LEGIC Prime and LEGIC Advant.
- HID iCLASS®.
- i-Button.

## TECHNICAL DRAWING:



## CERTIFICATIONS:



(1) External escutcheon.



# XS4 Double Reader

ExCD | XS4 ORIGINAL EU DOUBLE READER

The XS4 Original Double Reader electronic escutcheon controls both the entry and exit access of a door. Its audit trail facility can identify entry and exit actions, and can be fitted to almost any type of Euro profile door. It can also operate with a wide range of locks including Swiss cylinders.



## TECHNICAL CHARACTERISTICS:

- Covers door thicknesses: From 32mm up to 120mm.
- Dimensions: 280mm x 37mm x 9,5mm. (Outside)  
366mm x 42,5mm x 22mm. (Inside)
- Double reader escutcheon for control of both entry and exit, also with different authorizations.
- Handle rotation: 33°.
- Distance from the handle to the cylinder: 47mm to 110mm.
- Compatible with DIN, European and Scandinavian mortise locks, standard mortise locks and narrow style mortise locks.
- Compatible with European profile and Swiss profile cylinders.
- Door thickness: Square spindles available: 8mm and 9mm.
- Optional torx 20 tamper resistant proof screw for quick and secure installation from inside.

## PLATFORMS:



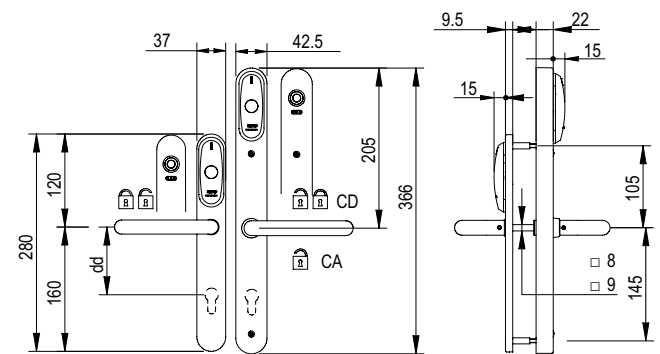
## ID TECHNOLOGIES :

- MIFARE® (DESFire EV1, Plus, Ultralight C, Classic - ISO/IEC 14443).
- NFC.
- Inside Picopass.
- LEGIC Prime.
- HID iCLASS®.
- i-Button.

## FEATURES:

- Simple installation is possible on any type of door, including those with narrow frames.
- Body and escutcheon made of steel.
- Available with mechanical cylinder cut outs for key override or access lock outs (override European and Swiss profile cylinder).

## TECHNICAL DRAWING:



## READER COLOUR:



## FINISHES:



IM IP NE

## CERTIFICATIONS:



<sup>(1)</sup> External escutcheon.

# XS4 EU - DIN

XS4 Ex50 | XS4 ORIGINAL DIN VERSION

The SALTO XS4 Original DIN version escutcheon is specially designed to meet the requirements of DIN18250 and 18251 standard doors prepared for DIN 18250 standard mortise locks. The new escutcheon range maintains the fire rating of the door as no additional drilling of the door is required.



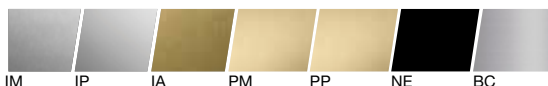
## FEATURES:

- The fire rating of the door is maintained as no additional drilling of the door is required.
- Body and escutcheon made of steel.
- Available with mechanical cylinder cut outs for key override or access lock outs (override European profile cylinder) with audit trail facility available.
- Electronic privacy option.
- AMOK option for offline lockdown.
- The lock can always be opened from the inside (single action panic feature works in conjunction with the relevant mortise lock).

## READER COLOUR:



## FINISHES:



IM

IP

IA

PM

PP

NE

BC

## TECHNICAL CHARACTERISTICS:

- Covers door thicknesses: From 32mm up to 120mm.
- Dimensions: 269mm x 55mm x 22,5mm. (Outside)  
290mm x 67mm x 20mm. (Inside)
- Clutch mechanism escutcheon; when unlocked handle moves freely.
- Reversible handle left or right escutcheon.
- Handle rotation: 30°.
- Distance from the handle to the cylinder: 47mm to 110mm.
- Compatible with DIN mortise locks.
- Square spindles available: 7mm, 8mm, 8mm split, 9mm and 9mm split.

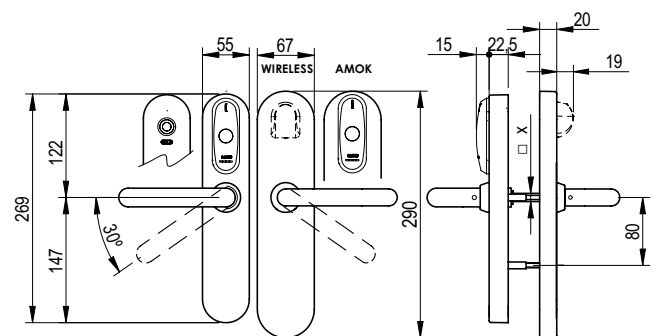
## PLATFORMS:



## ID TECHNOLOGIES :

- MIFARE® (DESFire EV1, Plus, Ultralight C, Classic - ISO/IEC 14443).
- Bluetooth SMART (BLE).
- NFC.
- Inside Picopass.
- LEGIC Prime and LEGIC Advant.
- HID iCLASS®.
- i-Button.

## TECHNICAL DRAWING:



## CERTIFICATIONS:



(1) External escutcheon.

# XS4 EU - Security

XS4 Ex20 | XS4 ORIGINAL EU SECURITY MODEL

The SALTO XS4 security model is an ideal choice for use on doors where a higher level of security protection is required, such as exterior doors, main entrances and high security openings. The tough, vandal-resistant construction protects this range against attack and unauthorised entry without losing flexibility or control.



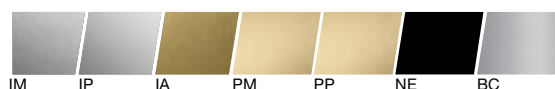
## FEATURES:

- Simple installation is possible on any type of door, including those with narrow frames.
- Body and escutcheon made of steel.
- Electronic privacy option.
- Complementary escutcheons without reader available to maintain the aesthetics of doors that do not need to be controlled.

## READER COLOUR:



## FINISHES:



IM IP IA PM PP NE BC

## TECHNICAL CHARACTERISTICS:

- Covers door thicknesses: From 32mm up to 120mm.
- Dimensions: 280mm x 37mm x 9,5mm (Outside) and 280mm x 42, 5mm x 22mm (Inside).
- Handle rotation: 30°.
- Distance from the handle to the cylinder: 47mm to 110mm.
- Compatible with DIN and European mortise locks, standard mortise locks and narrow style mortise locks.
- Compatible with European profile and Swiss profile cylinders.
- Door thickness: Square spindles available: 8mm and 9mm.
- Optional torx 20 tamper resistant proof screw for quick and secure installation from inside.

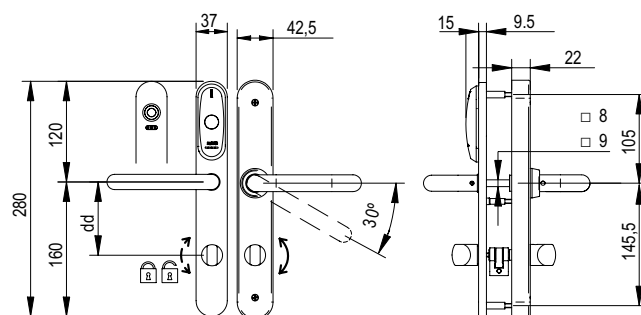
## PLATFORMS:



## ID TECHNOLOGIES :

- MIFARE® (DESFire EV1, Plus, Ultralight C, Classic - ISO/IEC 14443).
- NFC.
- Inside Picopass.
- LEGIC Prime.
- HID iCLASS®.
- i-Button.

## TECHNICAL DRAWING:



## CERTIFICATIONS:



<sup>(1)</sup> External escutcheon.

# XS4 Nordic

XS4 Sx40 | XS4 NORDIC ORIGINAL

The XS4 Original Nordic narrow body version is specially designed to fit most Scandinavian profile and narrow profile framed doors and to work with standard Scandinavian mortise locks and cylinders.



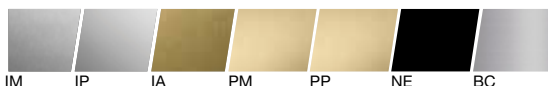
## FEATURES:

- Simple installation is possible on any type of door, including those with narrow frames.
- Body and escutcheon made of steel.
- Available with mechanical cylinder cut outs for key override or access lock outs (override Scandinavian cylinder).
- Mechanical or electronic privacy option.
- AMOK option for offline lockdown.
- The lock can always be opened from the inside (single action panic feature works in conjunction with the SALTO LS5N15 series mortise lock).
- Complementary escutcheons without reader available to maintain the aesthetics of doors that do not need to be controlled.

## READER COLOUR:



## FINISHES:



IM IP IA PM PP NE BC

## TECHNICAL CHARACTERISTICS:

- Covers door thicknesses: From 32mm up to 120mm.
- Dimensions: 282mm x 40mm x 20mm.
- Clutch mechanism escutcheon; when unlocked handle moves freely.
- Reversible handle left or right escutcheon.
- Handle rotation: 33°.
- Distance from the handle to the cylinder: 105mm.
- Compatible with Scandinavian standard mortise locks.
- Initial max. 4° pre-turn. SALTO recommends the use of a mortise lock with a maximum 4° pre-turn.
- Compatible with Scandinavian oval profile cylinders.
- Square spindles available: 8mm and 8mm split.

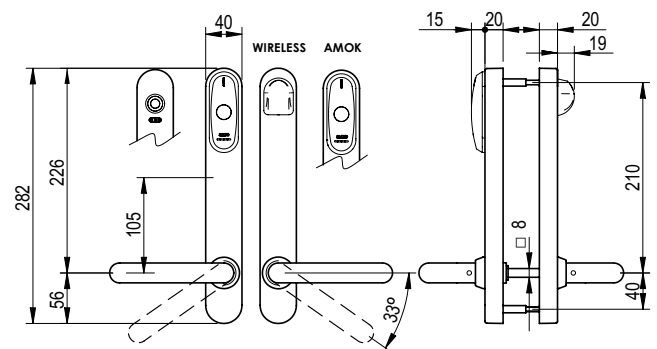
## PLATFORMS:



## ID TECHNOLOGIES :

- MIFARE® (DESFire EV1, Plus, Ultralight C, Classic - ISO/IEC 14443).
- Bluetooth SMART (BLE).
- NFC.
- Inside Picopass.
- LEGIC Prime and LEGIC Advant.
- HID iCLASS®.
- i-Button.

## TECHNICAL DRAWING:



## CERTIFICATIONS:



(<sup>1</sup>) External escutcheon.

# XS4 Nordic - Wide

XS4 Sx60 | XS4 NORDIC ORIGINAL WIDE BODY VERSION

The XS4 Original Nordic wide body version is specially designed for use on busy, high traffic doors that need additional strength or to cover old hardware holes and to work with standard Scandinavian mortise locks and cylinders.



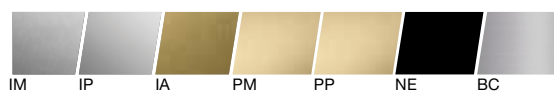
## FEATURES:

- Simple installation is possible on any type of door, including those with narrow frames.
- Body and escutcheon made of steel.
- Available with mechanical cylinder cut outs for key override or access lock outs (override Scandinavian oval cylinders).
- Mechanical or electronic privacy option.
- AMOK option for offline lockdown.
- The lock can always be opened from the inside (single action panic feature works in conjunction with the SALTO LS5N15 series mortise lock).
- Complementary escutcheons without reader available to maintain the aesthetics of doors that do not need to be controlled.

## READER COLOUR:



## FINISHES:



IM IP IA PM PP NE BC

## TECHNICAL CHARACTERISTICS:

- Covers door thicknesses: From 32mm up to 120mm.
- Dimensions: 290mm x 67mm x 20mm.
- Clutch mechanism escutcheon; when unlocked handle moves freely.
- Reversible handle left or right escutcheon.
- Handle rotation: 52°.
- Distance from the handle to the cylinder: 105mm.
- Compatible with Scandinavian standard mortise locks.
- Compatible with Scandinavian oval profile cylinders.
- Square spindles available: 8mm and 8mm split.

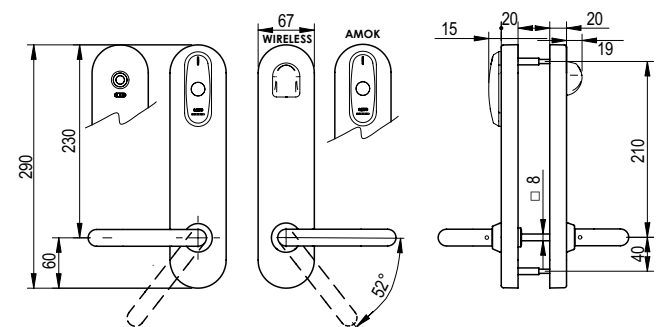
## PLATFORMS:



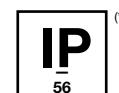
## ID TECHNOLOGIES :

- MIFARE® (DESFire EV1, Plus, Ultralight C, Classic - ISO/IEC 14443).
- Bluetooth SMART (BLE).
- NFC.
- Inside Picopass.
- LEGIC Prime and LEGIC Advant.
- HID iCLASS®.
- i-Button.

## TECHNICAL DRAWING:



## CERTIFICATIONS:



(\*) External escutcheon.

# XS4 Nordic - Keypad

XS4 Sx60K | XS4 NORDIC ORIGINAL WITH KEY PAD

The SALTO XS4 Original Nordic electronic lock with keypad increases security and control, as it offers the choice of three forms of authentication to grant access.



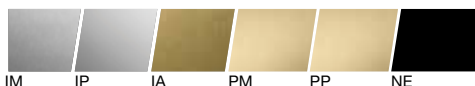
## FEATURES:

- Simple installation is possible on any type of door, including those with narrow frames.
- Body and escutcheon made of steel.
- Three forms of authentication configurations available to grant access:
  - Credential only.
  - Credential plus PIN.
  - Door code.
- Available with mechanical cylinder cut outs for key override or access lock outs (override Scandinavian oval cylinders).
- Mechanical or electronic privacy option.
- The lock can always be opened from the inside (single action panic feature works in conjunction with the SALTO LS5N15 series mortise lock).

## READER COLOUR:



## FINISHES:



IM IP IA PM PP NE

## TECHNICAL CHARACTERISTICS:

- Covers door thicknesses: From 32mm up to 120mm.
- Dimensions: 290mm x 67mm x 20mm.
- Clutch mechanism escutcheon; when unlocked handle moves freely.
- Reversible handle left or right escutcheon.
- Handle rotation: 52°.
- Distance from the handle to the cylinder: 105mm.
- Compatible with Scandinavian standard mortise locks.
- Compatible with Scandinavian oval profile cylinders.
- Square spindles available: 8mm and 8mm split.

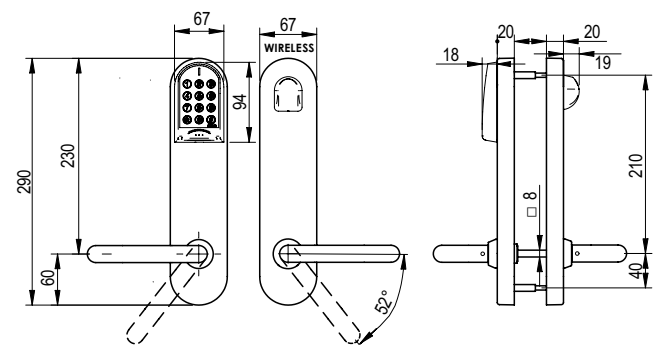
## PLATFORMS:



## ID TECHNOLOGIES :

- MIFARE® (DESFire EV1, Plus, Ultralight C, Classic - ISO/IEC 14443).
- NFC.
- HID iCLASS® (not available in SALLIS technology).

## TECHNICAL DRAWING:



## CERTIFICATIONS:



# XS4 Nordic Security

XS4 Sx20 | XS4 NORDIC ORIGINAL SECURITY MODEL

The SALTO XS4 Original Nordic security model is an ideal choice for use on doors where a higher level of security protection is required, such as exterior doors, main entrances and high security openings. The tough, vandal-resistant construction protects this range against attack and unauthorised entry without losing flexibility or control.



## FEATURES:

- Simple installation is possible on any type of door, including those with narrow frames.
- Body and escutcheon made of steel.
- Electronic privacy option.
- The lock can always be opened from the inside (single action panic feature works in conjunction with the SALTO LS5N15 series mortise lock).
- Complementary escutcheons without reader available to maintain the aesthetics of doors that do not need to be controlled.

## READER COLOUR:



## FINISHES:



IM IP IA PM PP NE BC

## TECHNICAL CHARACTERISTICS:

- Covers door thicknesses: From 32mm up to 120mm.
- Dimensions: 280mm x 37mm x 9,5mm.
- Handle rotation: 30°.
- Distance from the handle to the cylinder: 105mm.
- Compatible with Scandinavian standard mortise locks.
- Initial max. 4° pre-turn. SALTO recommends the use of a mortise lock with a maximum 4° pre-turn.
- Compatible with Scandinavian oval profile cylinders.
- Square spindles available: 8mm and 8mm split.
- Optional torx 20 tamper resistant proof screw for quick and secure installation from inside.

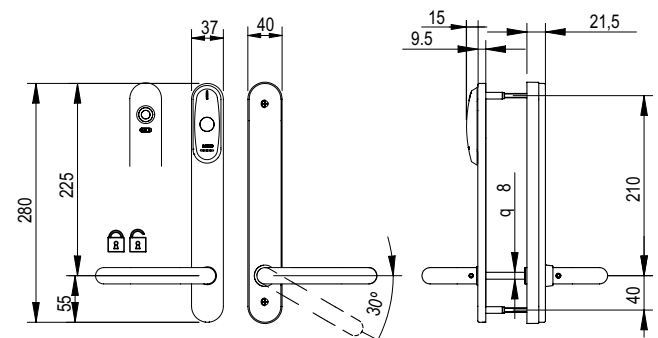
## PLATFORMS:



## ID TECHNOLOGIES :

- MIFARE® (DESFire EV1, Plus, Ultralight C, Classic - ISO/IEC 14443).
- NFC.
- Inside Picopass.
- LEGIC Prime.
- HID iCLASS®.
- i-Button.

## TECHNICAL DRAWING:



## CERTIFICATIONS:



(1) External escutcheon.

# XS4 ANSI

XS4 Ax60 | XS4 ORIGINAL

The XS4 Original wide body version for ANSI mortise locks is specially designed to be compatible with most ANSI mortise locks and tubular latches. It is specially designed for use on busy, high traffic doors that need additional strength.



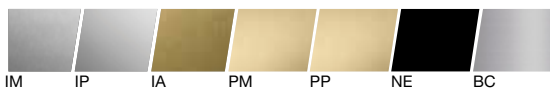
## FEATURES:

- Simple installation is possible on any type of door, including those with narrow frames.
- Body and escutcheon made of steel.
- Available with mechanical cylinder cut outs for key override or access lock outs (override Mortise cylinders).
- Mechanical or electronic privacy option.
- AMOK option for offline lockdown.
- The lock can always be opened from the inside (single action panic feature works in conjunction with the SALTO LA1T15 series mortise lock).
- Complementary escutcheons without reader available to maintain the aesthetics of doors that do not need to be controlled.

## READER COLOUR:



## FINISHES:



IM IP IA PM PP NE BC

## TECHNICAL CHARACTERISTICS:

- Covers door thicknesses: From 32 (1- $\frac{3}{8}$ " ) up to 120 mm (4- $\frac{3}{4}$ " ).
- Dimensions: 290mm (11- $\frac{27}{64}$ " ) x 67mm (2- $\frac{5}{8}$ " ) x 20mm ( $\frac{25}{32}$ " ).
- Clutch mechanism escutcheon; when unlocked handle moves freely.
- Reversible handle left or right escutcheon.
- Handle rotation: 52°.
- Distance from the handle to the cylinder: 61mm (2- $\frac{13}{32}$ " ), 62mm (2- $\frac{7}{16}$ " ) and 63mm (2- $\frac{1}{2}$ " ).
- Compatible with ANSI standard cylindrical and mortise locks.
- Initial max. 4° pre-turn. SALTO recommends the use of a mortise lock with a maximum 4° pre-turn.
- Compatible with ANSI mortise cylinders.
- Square spindles available: 8mm ( $\frac{5}{16}$ " ), 7mm diamond ( $\frac{9}{32}$ " ), 8mm split ( $\frac{5}{16}$ " ), 7mm diamond split ( $\frac{9}{32}$ " ) and 7,6mm ( $\frac{1}{4}$ " ).

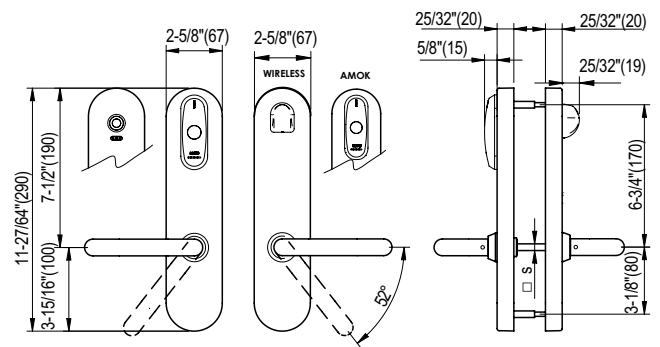
## PLATFORMS:



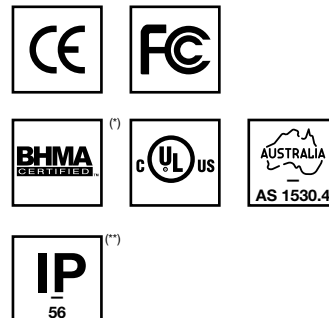
## ID TECHNOLOGIES :

- MIFARE® (DESFire EV1, Plus, Ultralight C, Classic - ISO/IEC 14443).
- Bluetooth SMART (BLE).
- NFC.
- Inside Picopass.
- LEGIC Prime and LEGIC Advant.
- HID iCLASS®.
- i-Button.

## TECHNICAL DRAWING:



## CERTIFICATIONS:



(1) With SALTO LA1T lock case

(2) External escutcheon.



# XS4 ANSI - Keypad

XS4 Ax60K | XS4 ORIGINAL WITH KEYPAD

The SALTO XS4 ANSI electronic lock with keypad, designed to be compatible with most ANSI mortise locks and tubular latches, increases security and control as it offers the choice of three forms of authentication to grant access.



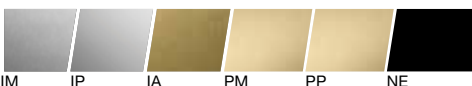
## FEATURES:

- Simple installation is possible on any type of door, including those with narrow frames.
- Body and escutcheon made of steel.
- Three forms of authentication configurations available to grant access:
  - Credential only.
  - Credential plus PIN.
  - Door code.
- Available with mechanical cylinder cut outs for key override or access lock outs (override mortise cylinders).
- Mechanical or electronic privacy option.
- The lock can always be opened from the inside (single action panic feature works in conjunction with the SALTO LA1T15 series mortise lock).

## READER COLOUR:



## FINISHES:



IM IP IA PM PP NE

## TECHNICAL CHARACTERISTICS:

- Covers door thicknesses: From 32 (1-3/8") up to 120 mm (4-3/4").
- Dimensions: 290mm (11-27/64") x 67mm (2-5/8") x 20mm (25/32").
- Clutch mechanism escutcheon; when unlocked handle moves freely.
- Reversible handle left or right escutcheon.
- Handle rotation: 52°.
- Distance from the handle to the cylinder: 61mm (2-13/32"), 62mm (2-7/16") and 63mm (2-1/2").
- Compatible with ANSI standard cylindrical and mortise locks.
- Initial max. 4° pre-turn. SALTO recommends the use of a mortise lock with a maximum 4° pre-turn.
- Compatible with ANSI mortise cylinders.
- Square spindles available: 8mm (5/16"), 7mm diamond (9/32"), 8mm split (9/16"), 7mm diamond split (9/32") and 7,6mm (19/64").

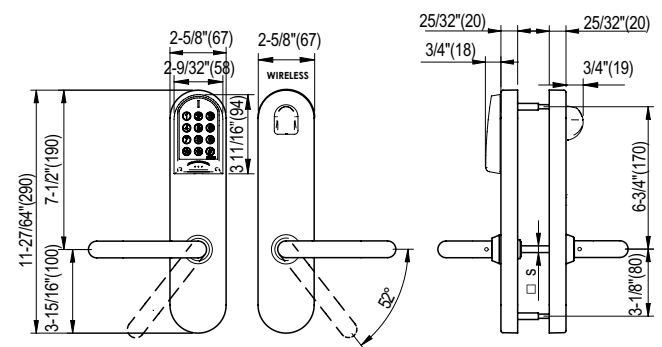
## PLATFORMS:



## ID TECHNOLOGIES :

- MIFARE® (DESFire EV1, Plus, Ultralight C, Classic - ISO/IEC 14443).
- NFC.
- HID iCLASS® (not available in SALLIS technology).

## TECHNICAL DRAWING:



## CERTIFICATIONS:



# XS4 Glass Door - DIN

XS4 ExGD | GLASS DOOR LOCK DIN18101

The XS4 Original DIN glass door lock has been specially designed for use with DIN 18101 standard glass doors. Its steel body is stylish and modern and its unique 'sandwich body' construction makes it easy to install, without having to replace the door. A wireless version of the XS4 DIN glass door lock is also available for real-time access control requirements.



## FEATURES:

- Sandwich body design for easy installation.
- Body and escutcheon made of steel.
- Available with mechanical cylinder cut outs for key override or access lock outs (override European profile cylinder) with audit trail facility available.
- The lock can always be opened from the inside (single action panic feature works in conjunction with the SALTO automatic mortise lock).
- Door status detector inside to monitor intrusions or door left open status (wireless escutcheons only).
- Strike plates for glass frames and double doors available to meet the installation needs.
- Complementary escutcheons without reader available to maintain the aesthetics of doors that do not need to be controlled.

## READER COLOUR:



## FINISHES:



IM

## TECHNICAL CHARACTERISTICS:

- Covers door thicknesses: From 8mm up to 14mm.
- Dimensions: 296mm x 98,5mm x 22,5mm.
- Clutch mechanism escutcheon; when unlocked handle moves freely.
- Handle rotation: 52°.
- Distance from the handle to the cylinder: 72mm.
- DIN 18101 standard prepared for DIN 18101 standard glass doors.
- Automatic lock, the auxiliary latch (anti-card) projects and deadlocks the deadbolt.
- Compatible with European profile cylinders.
- Handle compatibility: 16mm Ø, 18mm Ø.
- Handed mortise lock.

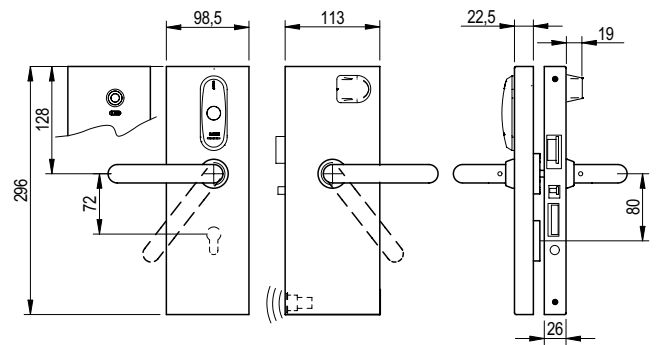
## PLATFORMS:



## ID TECHNOLOGIES :

- MIFARE® (DESFire EV1, Plus, Ultralight C, Classic - ISO/IEC 14443).
- Bluetooth SMART (BLE).
- NFC.
- Inside Picopass.
- LEGIC Prime and LEGIC Advant.
- HID iCLASS®.
- i-Button.

## TECHNICAL DRAWING:



## CERTIFICATIONS:



# XS4 Glass Door

XS4 ExGM | GLASS DOOR LOCK

The XS4 glass door lock's exclusive design makes it compatible with a wide range of commonly used glass door designs, including those already fitted with a built-in lock. Its unique 'sandwich body' design also makes for easy installation, without having to replace the door.



## FEATURES:

- Simple installation is possible on any type of glass door.
- Body and escutcheon made of steel.
- The lock can always be opened from the inside (single action panic feature works in conjunction with the SALTO mortise lock).
- Strike plates for glass frames and double doors available to meet the installation needs.

## READER COLOUR:



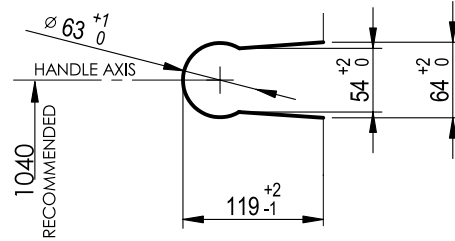
## FINISHES:



IM

## TECHNICAL CHARACTERISTICS:

- Covers door thicknesses: 8mm, 10 mm and 12mm.
- Dimensions: 135mm x 148,5mm x 17mm.
- Handle rotation: 33°.
- Handed mortise lock.



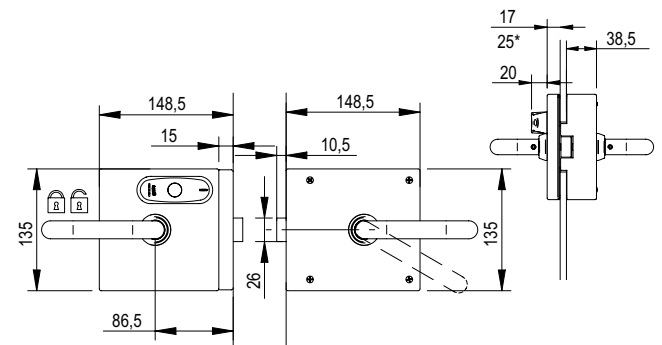
## PLATFORMS:



## ID TECHNOLOGIES :

- MIFARE® (DESFire EV1, Plus, Ultralight C, Classic - ISO/IEC 14443).
- NFC.
- Inside Picopass.
- LEGIC Prime.
- HID iCLASS®.
- i-Button.

## TECHNICAL DRAWING:



## CERTIFICATIONS:



# Reference guide information

XS4 BY SALTO | ELECTRONIC ESCUTCHEONS

Wire-free, easy to install and simple to use battery-operated electronic locking systems that can be fitted to almost any type of existing door and lock standards that are already in place anywhere for key control.

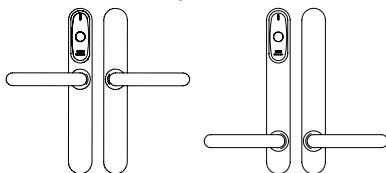
E	9	4	5	0	U	00	IM	3	8	R	W
PRODUCT TYPE	ID TECHNOLOGY	ESCUTCHEON WIDTH	ESCUTCHEON MODEL	FUNCTION	HANDLE	HANDLE TO CYLINDER DISTANCE	FINISHES	DOOR THICKNESS	SQUARE SPINDLE	HANDING	WIRELESS / AMOK / KEYPAD / SALTO KS / SALLIS
1	2	3	4	5	6	7	8	9	10	11	12

## 1 | PRODUCT TYPE

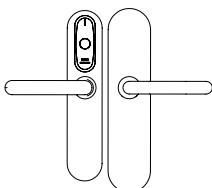
- E European escutcheons compatible with European mortise locks.
- A ANSI escutcheons compatible with ANSI mortise locks.
- S Scandinavian escutcheons compatible with Scandinavian mortise locks.

## 3 | ESCUTCHEON WIDTH

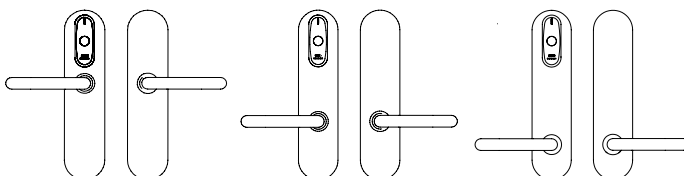
4 40mm narrow body escutcheons.



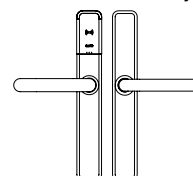
5 55mm DIN model escutcheons.



6 67mm wide model escutcheons.



7 XS4 One narrow body escutcheons.



## 2 | ID TECHNOLOGY

### i-Button

- A i-Button Smile.
- 1 i-Button ROM.
- 2 i-Button RW.

### RFID

- 7 Contactless Inside Picopass.
- 8 Contactless LEGIC Advant & Prime.
- 9 Contactless MIFARE® (DESFire EV1, Plus, Ultralight C, Classic - ISO/IEC 14443).
- H Contactless HID iCLASS.®
- B Contactless BLE & MIFARE DESFire.

**4 | ESCUTCHEON MODEL**

5	Clutch.
6	Clutch + override.
P	Clutch + Euro profile cylinder override.
E	ANSI escutcheons compatible with ANSI mortise locks.
K	SKG model (only for European narrow body escutcheons).

**5 | FUNCTION**

0	2 Handles, any type.
1	2 Handles, any type, inside thumbturn, with connector for mortise lock with micro-switch.
2	2 Handles, any type, Inside/Outside cylinder cut out.
3	2 Handles, any type, Inside cylinder cut out.
4	2 Handles, any type, Outside cylinder cut out.
6	2 Handles, any type, Electronic "do not disturb" system.
7	2 Handles, any type, Outside cylinder cut out, Electronic "do not disturb" system.

**6 | HANDLE**

XS4 offers a wide choice of functional and stylishly designed handles suitable for use on any type of door. Many of the lever handles have been designed to meet the latest DDA (Disability Discrimination Act) requirements, ensuring they are simple and easy to operate.

REF. Y



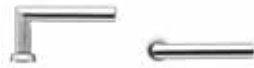
REF. L



REF. S



REF. W



REF. T



REF. J



REF. H



REF. U



REF. A



REF. C



REF. O



REF. B



REF. P



REF. G



REF. N



REF. Z



---

## 7 | HANDLE TO CYLINDER DISTANCE

---

00	Without distance.	3R	73,5mm Swiss profile cylinder.
47	47mm Euro profile cylinder.	4R	74mm Swiss profile cylinder.
48	48mm Euro profile cylinder.	7R	78mm Swiss profile cylinder.
49	49mm Euro profile cylinder.	85	85mm Euro profile cylinder.
55	55mm Euro profile cylinder.	88	88mm Euro profile cylinder.
62	62mm Euro profile cylinder.	90	90mm Euro profile cylinder.
70	70mm Euro profile cylinder.	92	92mm Euro profile cylinder.
72	72mm Euro profile cylinder.	9R	93mm Swiss profile cylinder.
7F	72mm for fire doors.	10	100mm Euro profile cylinder.
78	78mm Euro profile cylinder.	11	110mm Euro profile cylinder.

---

## 8 | FINISHES

---

Various finish options are available to allow for contemporary or classic styling to match any taste or design in décor, and to help in DDA impaired vision requirements.



---

**9 | DOOR THICKNESS**

---

- 3 Door thicknesses from 32mm up to 47mm.
- 4 Door thicknesses from 45mm up to 60mm.
- 6 Door thicknesses from 60mm up to 75mm.
- 7 Door thicknesses from 75mm up to 90mm.
- 9 Door thicknesses from 90mm up to 105mm.
- 1 Door thicknesses from 105mm up to 120mm.

---

**10 | SQUARE SPINDLE**

---

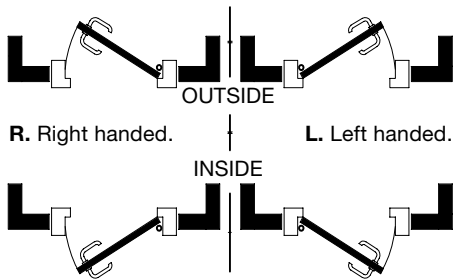
- 7 7mm square spindle.
- 8 8mm square spindle.
- 9 9mm square spindle.
- D 7mm square spindle.
- S 8mm square split spindle.
- V 9mm square split spindle.
- U 7mm diamond split spindle.
- 6 7,6mm square split spindle.

---

**11 | HANDLE ANDING**

---

- R Right handed. Only for O or S handles.
- L Left handed. Only for O or S handles.




---

**12 | WIRELESS / AMOK / KEYPAD / SALTO KS / SALLIS**

---

- C Convertible. Offline model ready to upgrade to Wireless real-time access control system.
- W Wireless, for real-time access control.
- A AMOK, for offline lockdown.
- K Keypad. Increases security and control as it offers the choice of three forms of authentication to grant access.
- Y SALTO KS by SALTO models.
- S SALLIS. SALTO Lock Link System.

---

**EX. I MODEL EXAMPLES**

---



Mechanical privacy option

Key override option

Electronic privacy option

i-Button ID technology

AMOK

\* Not all models allow all configurations; please refer to SALTO Systems price list to see the detail of each model.



## XS4 Mini

### EUROPEAN MORTISE LOCKS STANDARD

XS4 Mini EU / DIN

### SCANDINAVIAN MORTISE LOCKS STANDARD

XS4 Mini Nordic Standard

### TUBULAR LATCH STANDARD

XS4 Mini for Tubular Latches

### AUSTRALIAN MORTISE LOCKS STANDARD

XS4 Mini for Australian Mortise Locks

### ANSI MORTISE LOCKS STANDARD

XS4 Mini for ANSI Cylindrical Latches

### REFERENCE GUIDE

Handles

Finishes

Models



## XS4 MINI BY SALTO | ELECTRONIC DOOR LOCKS

Stylish design is a SALTO trademark and with the XS4 Mini, we raise the bar on this already high standard thanks to its small, discreet size combined with a modern, clean LED aesthetic.

---

## Technical Data

### POWER SOURCE:

- XS4 Mini: 3 alkaline batteries - LR03 - AAA 1,5V

### NUMBER OF OPENINGS:

- Contactless versions: Up to 40,000 openings.
- Low battery power indication monitored through the SALTO Virtual Network (SVN).
- The last approx. 1,000 operations are signalled.

### ENVIRONMENTAL CONDITIONS:

- Not suitable for outdoor use.

---

## Main Features

- Fully integrated with the SALTO XS4 platform.
- Simple installation by changing handle set, using just two screws, whether installing on new or existing door standards.
- Easy to maintain: Battery change is all that's needed.
- For inside use: Attractive design is ideal for indoor use and easy to retrofit existing doors.
- User on card audit trailing capability via the SALTO Virtual Network (SVN).
- All communication between the carrier and the electronic lock is encrypted and secured.
- Low battery status information is obtained from carriers.
- Optical signalling through light ring. Dual colour green/red to indicate access authorisation.
- The lock can always be opened from the inside (single action panic feature works in conjunction with the relevant mortise lock).
- Concealed fixing screws for greater security and improved aesthetics.
- Available in 2 different reader finishes: White and Black.
- Wide range of finishes, retrofits, handles and retrofit cover plates.
- Firmware upgrade through contactless PPD.
- Emergency opening via contactless portable programming device (PPD).

The Mini's smart compactness simplifies installation. The XS4 Mini maintains the fire rating of the door as no additional drilling of the door is required.

---

## Access Control Features

### USERS & DOORS:

- Maximum number of users per door: 4 million.
- Maximum number of doors per system: 65,000.
- Access levels: unlimited.

### CALENDARS & TIME ZONES:

- Calendars in system: 256
- Timetables: 1024
- Time periods: 1024

### EVENTS:

- Maximum events on lock audit: 2200.
- Non volatile memory (memory is not deleted, even if power fails).

### MANAGEMENT SOFTWARE:

- SALTO ProAccess SPACE.

### ID TECHNOLOGIES:

- Covering the mainstream MIFARE RFID technologies.
- Compatible with ISO 14443A, ISO 14443B and ISO 15693 (Vicinity).

---

## Lock Modes

### STANDARD:

Locked at all times.

### OFFICE MODE:

Free passage.

### TIMED OFFICE:

Automatic locking at end time.

### AUTOMATIC OPENING:

8 pairs of "hands free" timed lock and unlocks per day with holidays.

### TOGGLE:

Present card to lock, present card to unlock.

### TIMED TOGGLE:

Present card to lock, present card to unlock depending on schedules.

# XS4 Mini - EU

Ex150 | XS4 MINI FOR EUROPEAN MORTISE LOCKS

The XS4 Mini for European DIN mortise locks has been designed with the requirements of DIN 18251 standard doors prepared for DIN 18250 standard mortise locks, and is compatible with the DIN 18251 standard fixing instructions.



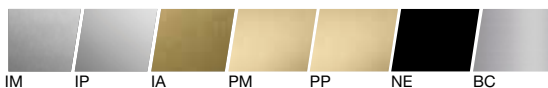
## FEATURES:

- Simple installation using just two screws when installing on new or existing European / DIN door standards.
- Clear, dual colour optical signalling indicates access authorisation. Acoustic signal optional.
- High security via high resistance, hardened anti-drill protection.
- Concealed fixing screws for greater security and improved aesthetics.
- For indoor applications: quick and easy install makes it ideal for retrofits.
- Wide range of handles, configurations and door retrofit cover plates to meet the installation needs.

## READER COLOUR:



## FINISHES:



## TECHNICAL CHARACTERISTICS:

- Covers door thicknesses: From 35mm up to 120mm.
- Dimensions: 127mm x 58,5mm x 22,5mm.
- Reversible handle, left or right electronic lock.
- Clutch mechanism escutcheon; when unlocked handle moves freely.
- Handle rotation: 45°.
- DIN 18251 standard prepared for DIN 18251 standard doors prepared for DIN 18250 standard mortise locks.
- Initial max. 4° pre-turn. SALTO recommends the use of a mortise lock with a maximum 4° pre-turn.
- Compatible with European profile cylinders.
- Handle compatibility: 16mm Ø.
- Square spindles available: 8mm, 8mm split, 9mm and 9mm split.

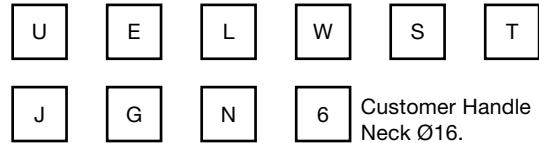
## PLATFORMS:



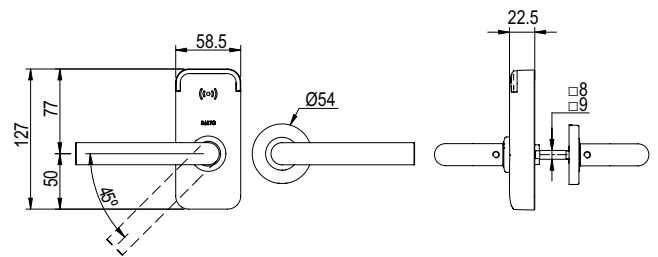
## ID TECHNOLOGIES :

- MIFARE® (DESFire EV1, Plus, Ultralight C, Classic - ISO/IEC 14443).
- Bluetooth SMART (BLE).
- NFC.

## HANDLES:



## TECHNICAL DRAWING:



## CERTIFICATIONS:



# XS4 Mini - Nordic

Sx150 | XS4 MINI FOR SCANDINAVIAN MORTISE LOCKS

The XS4 Mini Nordic models for Scandinavian mortise locks has been specially designed to fit most Scandinavian profile and narrow profile framed doors and work with standard Scandinavian mortise locks and cylinders. It is completely compatible with the Scandinavian standard fixing instructions.



## FEATURES:

- Simple installation using just two screws when installing on new or existing Scandinavian door standards.
- Clear, dual colour optical signalling indicates access authorisation. Acoustic signal optional.
- High security via high resistance, hardened anti-drill protection.
- Concealed fixing screws for greater security and improved aesthetics.
- For indoor applications: quick and easy install makes it ideal for retrofits.
- Wide range of handles, configurations and door retrofit cover plates to meet the installation needs.

## READER COLOUR:



## FINISHES:



IM PM BC

## TECHNICAL CHARACTERISTICS:

- Covers door thicknesses: From 35mm up to 100mm. With cover plate door thickness + 4mm.
- Dimensions: 127mm x 58,5mm x 22,5mm.
- Reversible handle, left or right electronic lock.
- Clutch mechanism escutcheon; when unlocked handle moves freely.
- Handle rotation: 45°.
- Specially designed to fit Scandinavian profile and narrow profile framed doors and work with standard Scandinavian mortise locks and cylinders.
- Completely compatible with Scandinavian standard fixing instructions and Scandinavian profile cylinders.
- Initial max. 4° pre-turn. SALTO recommends the use of a mortise lock with a maximum 4° pre-turn.
- Square spindles available: 8mm.

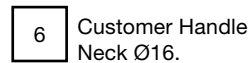
## PLATFORMS:



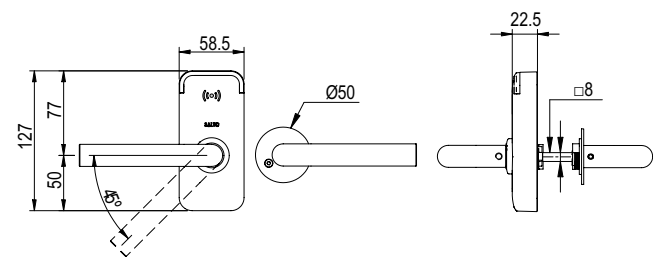
## ID TECHNOLOGIES :

- MIFARE® (DESFire EV1, Plus, Ultralight C, Classic - ISO/IEC 14443).
- Bluetooth SMART (BLE).
- NFC.

## HANDLES:



## TECHNICAL DRAWING:



## CERTIFICATIONS:



# XS4 Mini - Tubular Latches

Tx150 | XS4 MINI FOR TUBULAR LATCHES

The XS4 Mini for tubular latches has been designed to be used in combination with the SALTO tubular latch model. It's an ideal way to convert a basic, interior door with a tubular latch into an attractive, electronically controlled door.



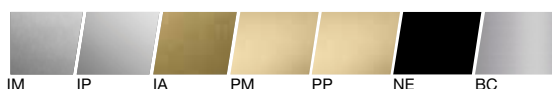
## FEATURES:

- Simple installation using just two screws when installing on new or existing tubular latch door standards.
- Clear, dual colour optical signalling indicates access authorisation. Acoustic signal optional.
- High security via high resistance, hardened anti-drill protection.
- Concealed fixing screws for greater security and improved aesthetics.
- For indoor applications: quick and easy install makes it ideal for retrofits.
- Wide range of handles, configurations and door retrofit cylindrical or tubular latch cover plates, 64mm Ø to meet the installation needs.

## READER COLOUR:



## FINISHES:



## TECHNICAL CHARACTERISTICS:

- Covers door thicknesses: From 32mm up to 90mm.
- Dimensions: 127mm x 58,5mm x 22,5mm.
- Reversible handle, left or right electronic lock.
- Clutch mechanism escutcheon; when unlocked handle moves freely.
- Handle rotation: 40°.
- To be used in combination with SALTO tubular latch LT2K.
- Handle compatibility: 16mm Ø.
- Square spindles available: 7,6mm split and 8mm.

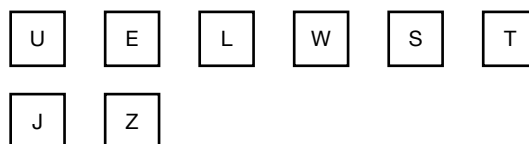
## PLATFORMS:



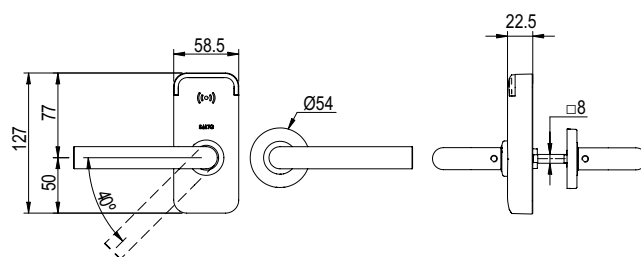
## ID TECHNOLOGIES :

- MIFARE® (DESFire EV1, Plus, Ultralight C, Classic - ISO/IEC 14443).
- Bluetooth SMART (BLE).
- NFC.

## HANDLES:



## TECHNICAL DRAWING:



## CERTIFICATIONS:



# XS4 Mini - Australia

Ux150 | XS4 MINI FOR AUSTRALIAN MORTISE LOCKS

The XS4 Mini for Australian mortise locks has been designed for use with Australian mortise locks that use split spindle systems.



## FEATURES:

- Simple installation, using just two screws when installing on new or existing Australian doors standards.
- Clear, dual colour optical signalling indicates access authorisation. Acoustic signal optional.
- High security via high resistance, hardened anti-drill protection.
- Concealed fixing screws for greater security and improved aesthetics.
- For indoor applications: quick and easy install makes it ideal for retrofits.
- Wide range of handles, configurations and door retrofit cover plates.
- Wide range of finishes, handles and retrofit cover plates to meet the installation needs.

## READER COLOUR:



## FINISHES:



## TECHNICAL CHARACTERISTICS:

- Covers door thicknesses: From 32mm up to 90mm.
- Dimensions: 127mm x 58,5mm x 22,5mm.
- Reversible handle left or right electronic lock.
- Clutch mechanism escutcheon; when unlocked handle moves freely.
- Handle rotation: 45°.
- Australian standard prepared for Australian standard mortise locks.
- Initial max. 4° pre-turn. SALTO recommends the use of a mortise lock with a maximum 4° pre-turn.
- Compatible with European profile cylinders.
- Handles compatibility: 16mm Ø.
- Square spindles available: 7,6mm split, 8mm and 8mm split.

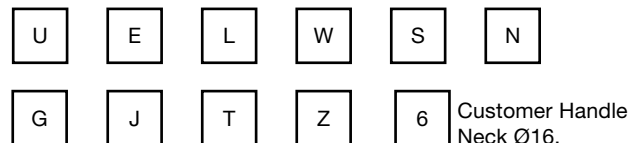
## PLATFORMS:



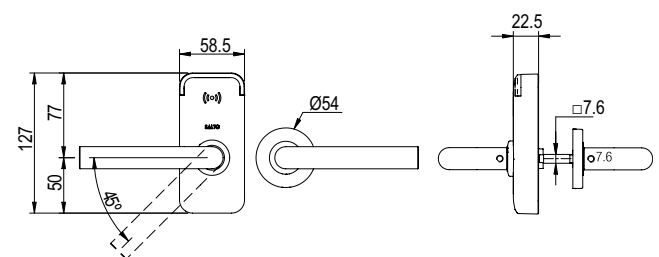
## ID TECHNOLOGIES :

- MIFARE® (DESFire EV1, Plus, Ultralight C, Classic - ISO/IEC 14443).
- Bluetooth SMART (BLE).
- NFC.

## HANDLES:



## TECHNICAL DRAWING:



## CERTIFICATIONS:



# XS4 Mini - ANSI

Cx2x0 | XS4 MINI FOR CYLINDRICAL LATCH

The XS4 Mini ANSI for cylindrical or tubular latches has been designed to meet ANSI A156.2 Grade 1 or 2 cylindrical latch requirements. Easy, simple and quick way to replace existing traditional knob sets, and upgrade them with a state of the art electronic access control system with SALTO's cartridge cylindrical latch.



## FEATURES:

- Simple installation, using just two screws when installing on new or existing ANSI cylindrical latch door standards.
- Clear, dual colour optical signalling indicates access authorisation. Acoustic signal optional.
- High security via high resistance, hardened anti-drill protection.
- Concealed fixing screws for greater security and improved aesthetics.
- For indoor applications: quick and easy install makes it ideal for retrofits.

## READER COLOUR:



## FINISHES:



CS    CP    PP    PM    NE    BC  
 BHMA682    BHMA629    BHMA729    BHMA732    BHMA685  
 US26D    US26    US3    US4

## TECHNICAL CHARACTERISTICS:

- Covers door thicknesses: From 32mm up to 120mm (1-17/64" to 4-23/32").
- Dimensions: 127mm x 58,5mm x 22,5mm (5" x 2-19/64" x 57/64").
- Non-handed electronic lock.
- Clutch mechanism escutcheon; when unlocked handle moves freely.
- Handle rotation: 60°.
- To be used in combination with XS4 Mini ANSI's cylindrical latch only.

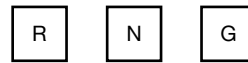
## PLATFORMS:



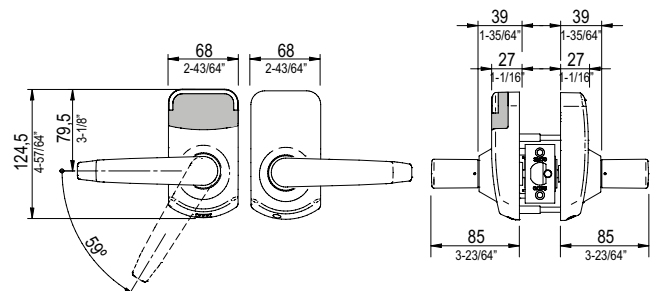
## ID TECHNOLOGIES :

- MIFARE® (DESFire EV1, Plus, Ultralight C, Classic - ISO/IEC 14443).
- Bluetooth SMART (BLE).
- NFC.

## HANDLES:



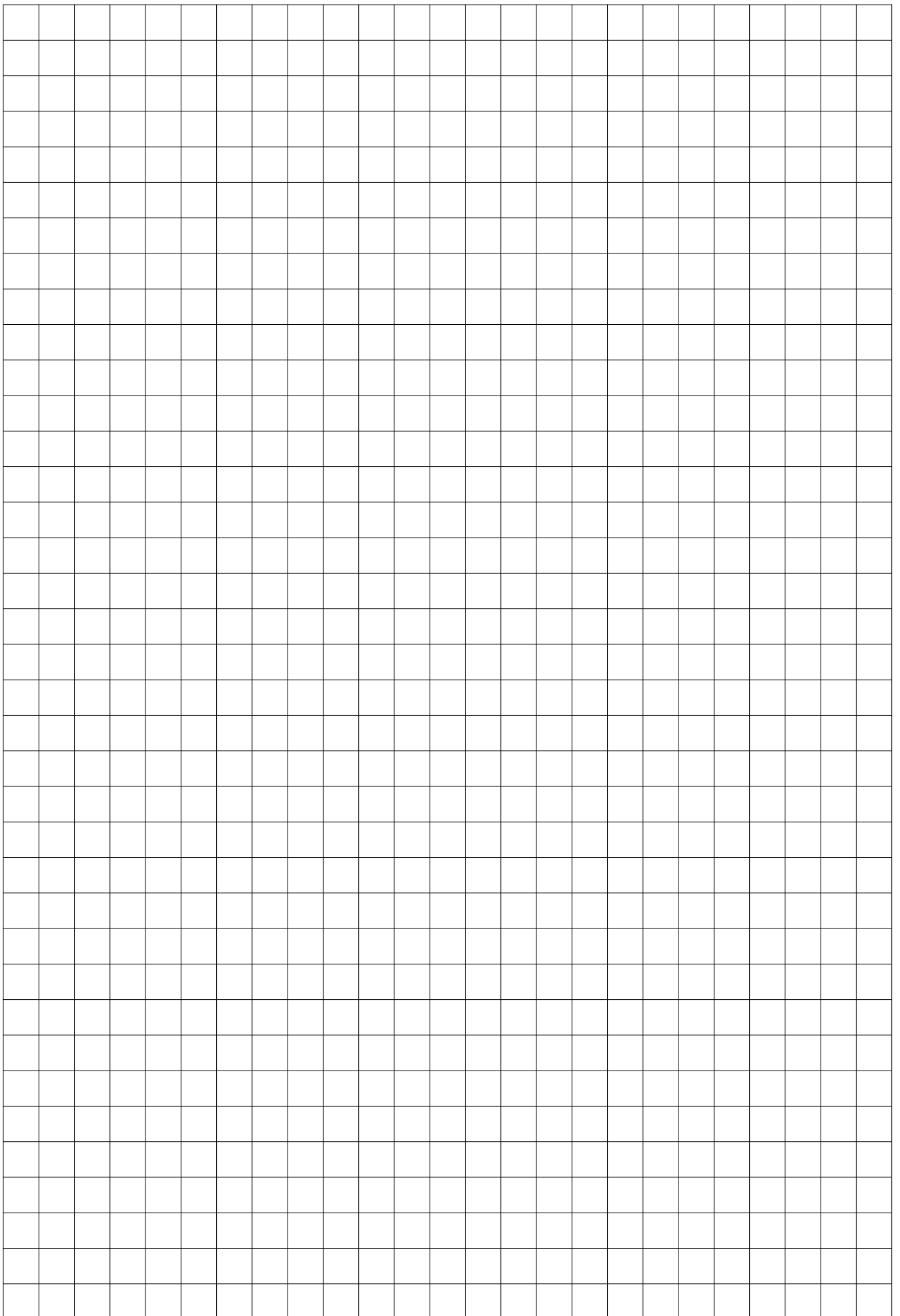
## TECHNICAL DRAWING:



## CERTIFICATIONS:



(1) Grade 1 according to ANSI standards



# Reference guide information

XS4 MINI BY SALTO | ELECTRONIC ESCUTCHEONS

Wire-free, easy to install and simple to use battery-operated electronic locking systems that can be fitted to almost any type of existing door and lock standards that are already in place anywhere for key control.

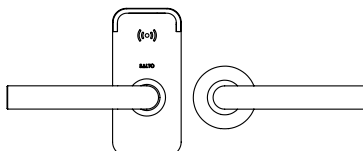
E	9	1	5	0	U	R	IM	B	3	8	R
PRODUCT TYPE	ID TECHNOLOGY	MODEL XS4 MINI	ESCUTCHEON MODEL	FUNCTION	HANDLE	ROSE	HANDLE FINISHES	READER FINISH	DOOR THICKNESS	SQUARE SPINDLE	HANDING
1	2	3	4	5	6	7	8	9	10	11	12

## 1 | PRODUCT TYPE

- E SALTO XS4 MINI escutcheons compatible with European mortise locks.
- T SALTO XS4 MINI escutcheons compatible with SALTO tubular latches.
- S SALTO XS4 MINI escutcheons compatible with Scandinavian mortise locks.
- U SALTO XS4 MINI escutcheons compatible with Australian mortise locks.
- C SALTO XS4 MINI escutcheon in combination with XS4 Mini ANSI cylindrical latch only.

## 3 | MODEL XS4 MINI

- 1 SALTO XS4 MINI



## 2 | ID TECHNOLOGY

### RFID

- 9 Contactless MIFARE® (DESFire EV1, Plus, Ultralight C, Classic - ISO/IEC 14443).
- B Contactless BLE & MIFARE DESFire.

## 4 | ESCUTCHEON MODEL

- 5 Clutch.
- 6 Clutch + cover plate.

## 5 | FUNCTION

- 0 2 Handles, any type.
- 1 2 Handles, any type, inside thumbturn, with connector for mortise lock with micro-switch.
- 4 2 Handles, any type, inside plate for retrofit.
- 5 2 Handles, any type, special rose for retrofit.

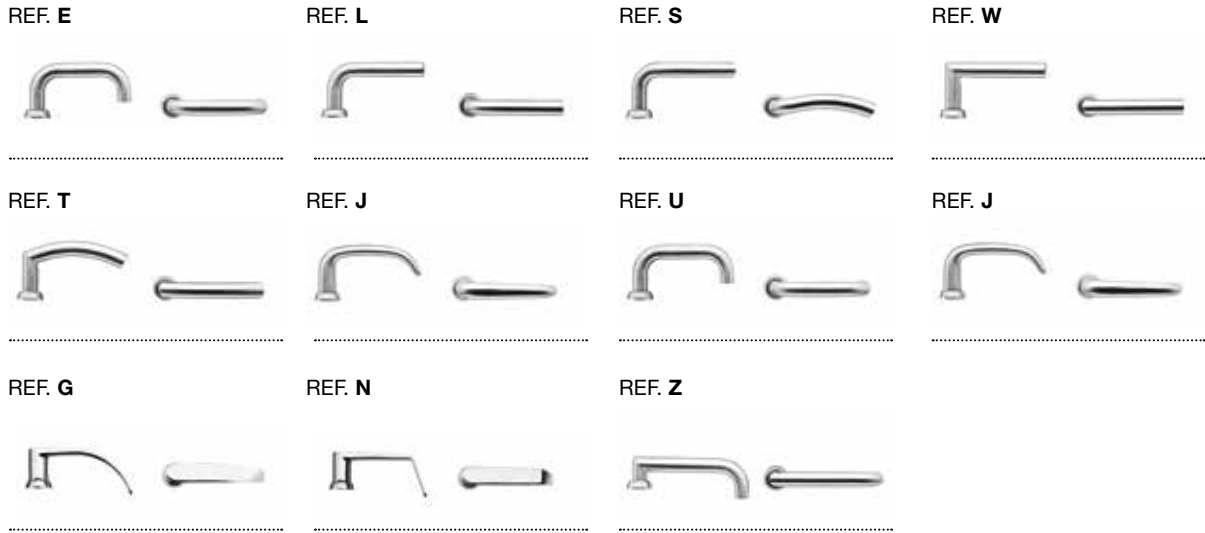


---

## 6 | HANDLE

---

XS4 MINI offers a wide choice of functional and stylishly designed handles suitable for use on any type of door. Many of the lever handles have been designed to meet the latest DDA (Disability Discrimination Act) requirements, ensuring they are simple and easy to operate.




---

## 7 | ROSE

---

SALTO offers a wide range of handles, and all of them incorporate an inside round rose that can be customized through the wide range of finishes available.




---

## 8 | FINISHES

---

Various finish options are available to allow for contemporary or classic styling to match any taste or design in décor, and to help in DDA impaired vision requirements.



---

## 9 | READER FINISHES

---

Two reader finish options are available to be able to combine with all the environments, no matter the design. BioCote antimicrobial finish is also available to secure and control even the cleanest areas.

W White reader finish



B Black reader finish



---

## 10 | DOOR THICKNESS

---

- 3 Door thicknesses from 35mm up to 50mm.
- 4 Door thicknesses from 47mm up to 60mm.
- 6 Door thicknesses from 67mm up to 80mm.
- 7 Door thicknesses from 77mm up to 90mm.
- 9 Door thicknesses from 87mm up to 105mm.

---

## 11 | SQUARE SPINDLE

---

- 8 8mm square spindle.
- 9 9mm square spindle.
- 6 7,6mm square split spindle.

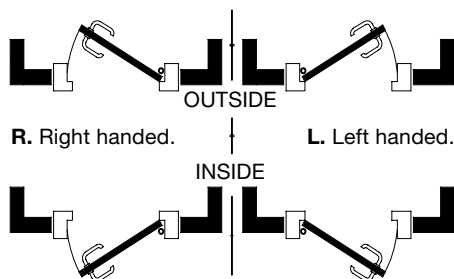
---

## 12 | HANDLE HANDING

---

R Right handed. Only for O or S handles.

L Left handed. Only for O or S handles.



---

## EX. I MODEL EXAMPLES

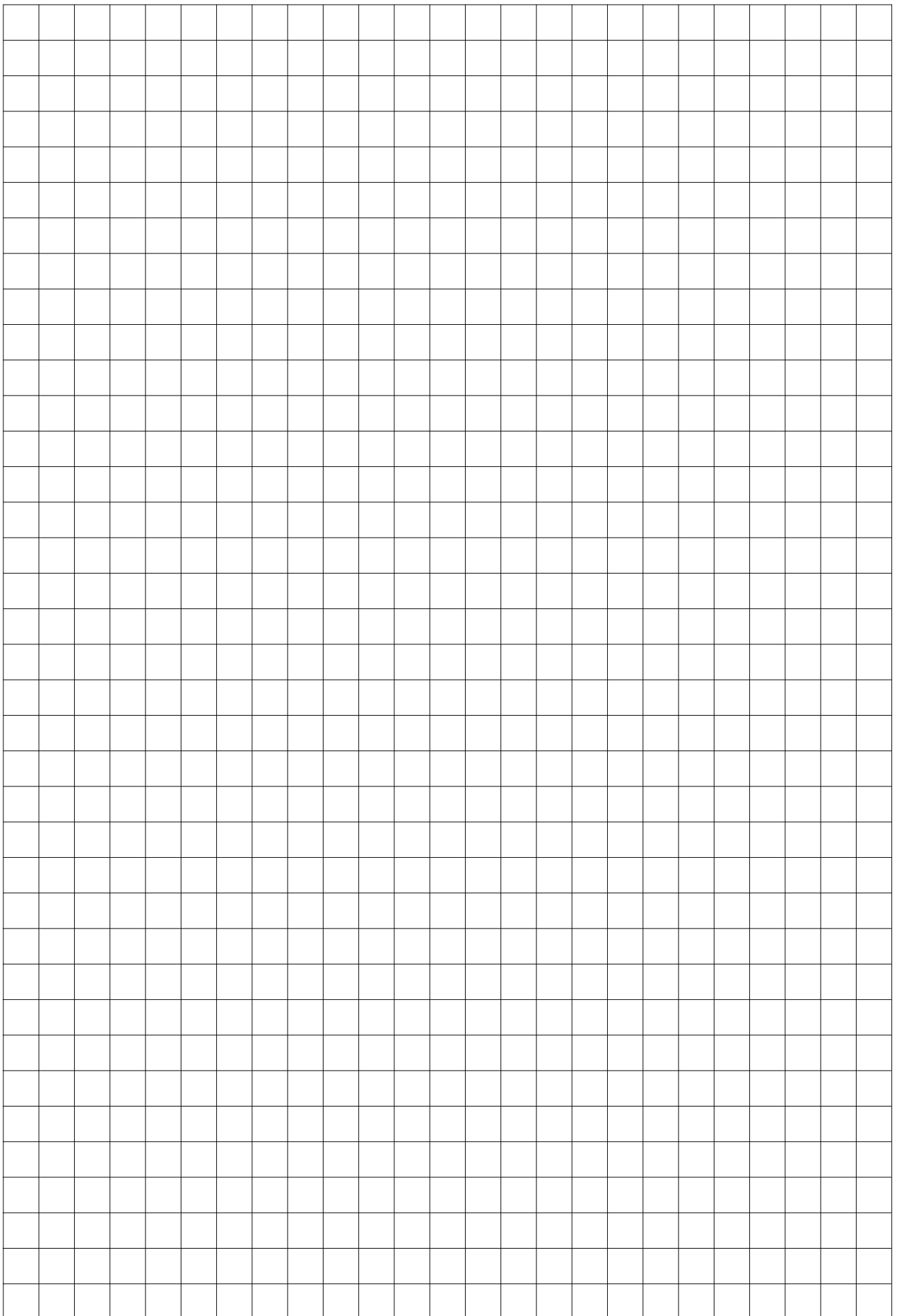
---



Inside thumbturn

Key override option

Cover plates option





# AElement

## **AELEMENT - DIN STANDARD**

AElement EU / DIN

## **AELEMENT - ANSI STANDARD**

AElement ANSI

## **REFERENCE GUIDE**

Handles

Finishes

Models

## AELEMENT BY SALTO | STYLISH LOCKS

The AElement is an RFID lock that allows you to integrate all your physical security needs into one stylish, energy efficient, reliable, wire-free system.

---

## Technical Data

### POWER SOURCE:

- AElement: 3 alkaline batteries - LR03 - AAA 1,5V.

### NUMBER OF OPENINGS:

- Contactless versions: Up to 50,000 openings.
- Low battery power indication monitored through the SALTO Virtual Network (SVN).
- The last approx. 1,000 operations are signalled.

### ENVIRONMENTAL CONDITIONS:

- Electronics: 0° / 60°.
- Not suitable for outdoor use.

---

## Main Features

- Easy to maintain: Battery change is all that's needed.
- SALTO SVN and SALTO Wireless network capable.
- Wireless ready lock that can be upgraded to wireless online.
- Handle block mechanism lock.
- To be used only with SALTO AEElement mortise lock series.
- Compatible with DIN standard and ANSI mortise locks.
- Reader body made using double layered injection construction.
- Electronic privacy system. By pressing a button on the battery holder on European models, the user can activate the "do not disturb" function.
- The lock can always be opened from the inside (single action panic feature works in conjunction with the SALTO mortise lock).
- Clear dual colour LED light (green/red) to indicate lock authorisation.
- Concealed fixing screws for greater security and improved aesthetics.
- Wire-free stand-alone networked system through SVN technology.
- Attractive range of standard handle designs and finishes, designer lever handles from well-known brands approved.
- DDA (Disability Discrimination Act) compliant (depending on handle type).
- Emergency opening via contactless Portable Programming Device (PPD).

The minimalistic design of its RFID reader looks chic and discreet on any door, and can be combined with a wide range of either SALTO or designer handles.

---

## Access Control Features

### USERS & DOORS:

- Maximum number of users per door: 4 million.
- Maximum number of doors per system: 65,000.
- Access levels: unlimited.

### CALENDARS & TIME ZONES:

- Calendars in system: 256
- Timetables: 1024
- Time periods: 1024

### EVENTS:

- Maximum events on lock audit: 2200.
- Non volatile memory (memory is not deleted, even if power fails).

### MANAGEMENT SOFTWARE:

- SALTO ProAccess SPACE.

### ID TECHNOLOGIES:

- Covering the mainstream MIFARE RFID technologies.
- Compatible with ISO 14443A, ISO 14443B and ISO 15693 (Vicinity).

---

## Lock Modes

### STANDARD:

Locked at all times.

### AUTOMATIC OPENING:

8 pairs of "hands free" timed lock and unlocks per day with holidays.

### TOGGLE:

Present card to lock, present card to unlock.

### TIMED TOGGLE:

Present card to lock, present card to unlock depending on schedules

### OFFICE MODE:

Free passage mode (just on the ANSI version).

### EXIT LEAVES OPEN MODE:

The lock remains unlocked after the inside handle is used.

# AElement - EU

AE91 | AELEMENT

The AElement EURO version is specially designed to fit on most Euro DIN 18250 profile doors. The minimalistic design of the RFID reader looks stylish and discreet on any door. It also offers the choice of a wide range of designer lever handles and finishes.



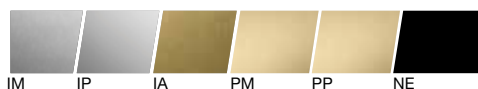
## ELECTRONICS FEATURES:

- Reader body made using double layered injection construction.
- Clear dual colour LED light (green/red) to indicate lock authorisation.
- Electronic privacy function option through button on the inside (for hotel industry). The user can activate the “do not disturb” function.
- Special blink and beep indication when lock is in privacy mode.
- Ability to enable/disable the acoustic signal.
- Compatible with European DIN 18250 mortise lock retrofit.
- EN1364-1 EI 60.
- Declaration of conformity CE.
- FCC/IC conformity.

## READER COLOUR:



## BASE FRAME FINISHES:



## TECHNICAL CHARACTERISTICS:

- Covers door thicknesses: From 35mm - 45mm up to 115mm - 125mm.
- Reader dimensions: 67mm x 45mm x 17mm.
- Battery pack dimensions (inside): 116mm x 65mm x 25.5mm.
- Handle block mechanism lock.
- Handle rotation: 33°.
- To be used in combination with SALTO LE7E37 mortise lock.
- Square spindles available: 8mm split and 9mm split (SALTO spindles required).

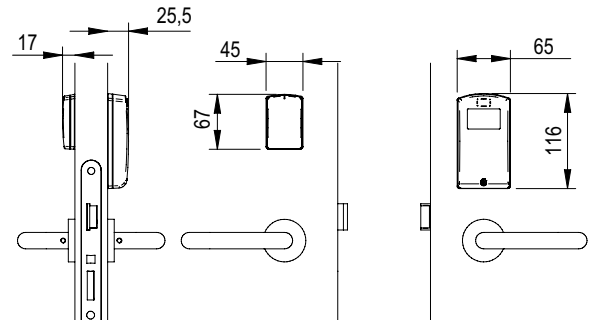
## PLATFORMS:



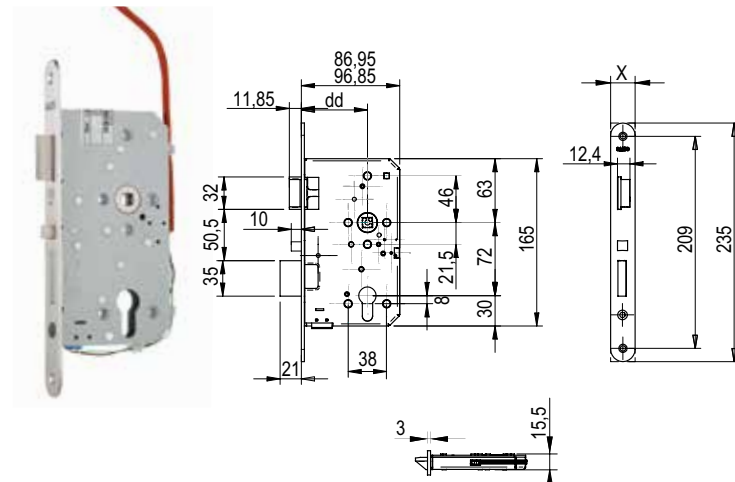
## ID TECHNOLOGIES :

- MIFARE® (DESFire EV1, Plus, Ultralight C, Classic - ISO/IEC 14443).
- Bluetooth SMART (BLE).
- NFC.

## TECHNICAL DRAWING:



## DIN18250 AELEMENT MORTISE LOCK:



## MORTISE LOCKS FEATURES:

- Axe distance 72mm.
- Lock latched deadbolt made of steel.
- Automatic deadbolt projection lock.
- Choice of finishes: satin stainless steel or gold enamelled.
- Front plate shape: square or round.
- Different backsets available: 55mm - 65mm.
- Handed lock - L/R - not reversible.
- Inside always allows free egress (Anti-panic in combination with lock).
- EN 12209 compliant.



# AELEMENT - ANSI

AE90 | AELEMENT

The AELEMENT ANSI version is specially designed to fit on most ANSI A 156.13 doors. The minimalistic design of the RFID reader looks stylish and discreet on any door. It also offers the choice of a wide range of designer lever handles and finishes.



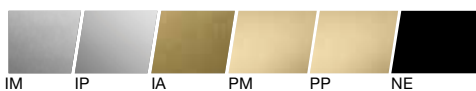
## ELECTRONICS FEATURES:

- Reader body made using double layered injection construction.
- Clear dual colour LED light (green/red) to indicate lock authorisation.
- Mechanical privacy option by a mechanical thumbturn. The user can activate the “do not disturb” function just by operating this thumbturn.
- Special blink and beep indication when lock is in privacy mode.
- Ability to enable/disable the acoustic signal.
- Available with mechanical cylinder key override or access lock outs (override mortise cylinders).
- Compatible with European ANSI A 125.13. mortise lock retrofit.
- UL10C compliant.
- Declaration of conformity CE.
- FCC/IC conformity.

## READER COLOUR:



## BASE FRAME FINISHES:



IM IP IA PM PP NE

## TECHNICAL CHARACTERISTICS:

- Covers door thicknesses: From 35mm - 45mm up to 115mm - 125mm.
- Reader dimensions: 67mm x 45mm x 17mm.
- Battery pack dimensions (inside): 116mm x 65mm x 25.5mm.
- Handle block mechanism lock.
- Handle rotation: 52°.
- To be used in combination with SALTO LA1T17 mortise lock.
- Square spindles available: 8mm split (SALTO spindles required).

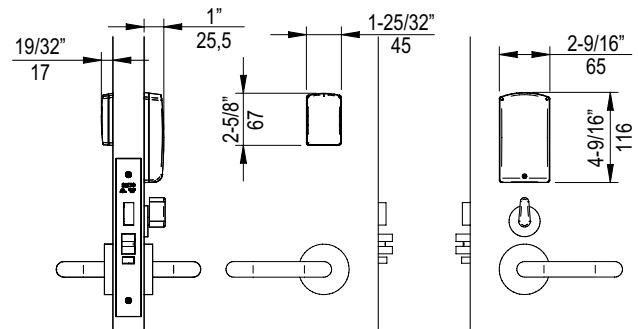
## PLATFORMS:



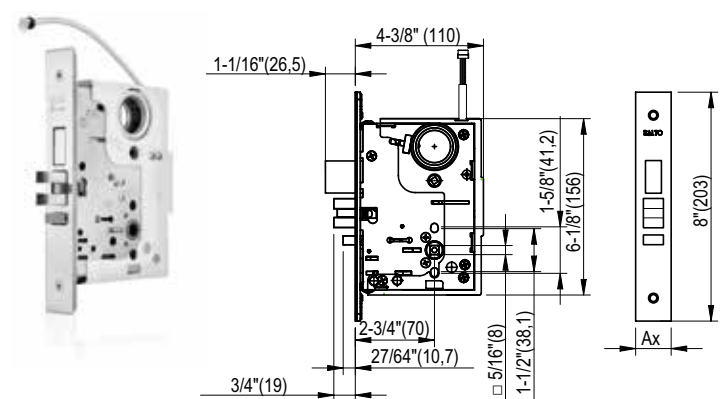
## ID TECHNOLOGIES :

- MIFARE® (DESFire EV1, Plus, Ultralight C, Classic - ISO/IEC 14443).
- Bluetooth SMART (BLE).
- NFC.

## TECHNICAL DRAWING:



## ANSI A 125.13 AELEMENT MORTISE LOCK:



## MORTISE LOCKS FEATURES:

- Mortise lock with built in door detector, privacy detector and mechanical key override detector.
- Axe distance 62mm.
- Lock latched deadbolt made of steel.
- Choice of finishes: satin stainless steel or gold enamelled.
- Front plate shape: square.
- Handed lock - L/R - reversible.
- Inside always allows free egress (Anti-panic in combination with lock).
- UL 10C listed (90 min).



# Reference guide information

## AELEMENT BY SALTO | STYLISH LOCKS

Wire-free, easy to install and simple to use battery-operated electronic locking systems that can be fitted to almost any type of existing door and lock standards that are already in place anywhere for key control.

AElement by SALTO is an electronic lock composed of three main components that need to be purchased separately:

- The AElement ELECTRONICS.
- The AElement MORTISE LOCK.
- The AElement HANDLE selection.

### AElement ELECTRONICS

AE	9	1	IM	B	A	3	A	8	W
PRODUCT TYPE	ID TECHNOLOGY	PRIVACY FUNCTION	BASE FRAME FINISH	READER FINISH	BATTERY PACK COLOUR	DOOR THICKNESS	LOCK DESCENTRATION	SPLIT SPINDLE	WIRELESS
1	2	3	4	5	6	7	8	9	10

#### 1 | PRODUCT TYPE

AE SALTO AElement electronic lock.

#### 2 | ID TECHNOLOGY







##### RFID

- 9 Contactless MIFARE DESFire.
- B Contactless BLE & MIFARE DESFire.

#### 3 | PRIVACY FUNCTION

- 0 Without electronic privacy function.
- 1 With electronic privacy function.

#### 4 | BASE FRAME FINISH

-  IM Satin stainless steel (BHMA630 - US32D).
-  IP Bright stainless steel (BHMA629 - US32).
-  IA Antique brass (BHMA638-US3).
-  PP PVD bright brass type (US3).
-  PM PVD satin brass type (US4).
-  NE Black chromium.

#### 5 | READER FINISH

B Black 

W White 

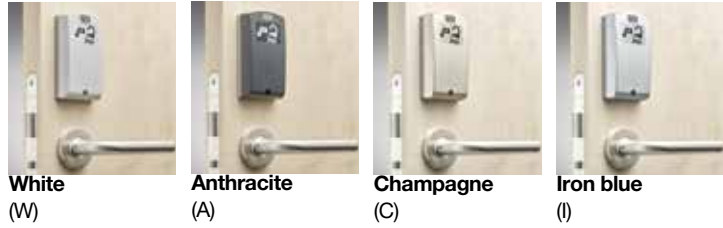


---

## 6 | BATTERY PACK COLOUR

---

- W White.
- A Anthracite (RAL 7016).
- C Champagne (like the ESD).
- I Iron blue (like the ESD).




---

## 7 | DOOR THICKNESS

---

- 3 Door thicknesses from 35mm up to 50mm.
- 4 Door thicknesses from 45mm up to 55mm.
- 5 Door thicknesses from 55mm up to 65mm.
- 6 Door thicknesses from 65mm up to 75mm.
- 7 Door thicknesses from 75mm up to 85mm.
- 8 Door thicknesses from 85mm up to 95mm.
- 9 Door thicknesses from 95mm up to 105mm.
- 0 Door thicknesses from 105mm up to 105mm.
- 1 Door thicknesses from 115mm up to 125mm.

---

## 9 | SPLIT SPINDLE

---

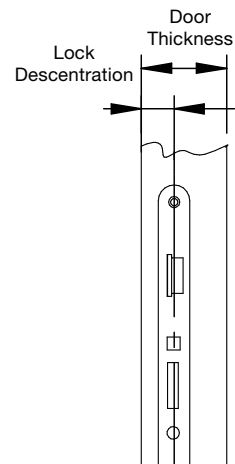
- 8 8mm split spindle.
- 9 9mm split spindle.

---

## 8 | LOCK DESCENTRATION

---

Please refer to the price list for more information about mortise lock vertical descentration.




---

## 10 | WIRELESS

---

- Wireless ready with data-on-card capabilities.
- W Wireless online with data-on-card capabilities.

**AELEMENT BY SALTO | HANDLES**

AElement offers a wide choice of functional and stylish handle designs and roses suitable for use on any type of door. Various finish options are available to allow for contemporary or classic styling and to perfectly complement any design and décor.

And to go further in design, AElement can be combined with designer handles like Colombo. Colombo by SALTO is the perfect choice when a distinctive design flair is needed.

**AElement HANDLES**

R	1	S	U	R	IM	08	0	-
—	—	—	—	—	—	—	—	—
PRODUCT TYPE	HANDLE STANDARD	HANDLE BRAND	MODEL	ROSE	FINISH	SQUARE SPINDLE	THUMBTURN	HANDING
1	2	3	4	5	6	7	8	9

**1 | PRODUCT TYPE**

R Door handles on rose.

**2 | HANDLE STANDARD**

- 1 EURO / DIN standard.
- 3 ANSI standard.

**3 | MANUFACTURER / HANDLE BRAND**

S SALTO.

C COLOMBO.

**4 | HANDLE MODEL**

**STANDARD Line:**

London:



REF. L



IM IP IA PM PP NE

Utrecht:



REF. U



IM IP IA PM PP NE

Washington:



REF. W



IM IP IA PM PP NE

4 | HANDLE MODEL

**PREMIUM Line:**

Kingston:



REF. K



IM CP PP

Jakarta:



REF. J



IM IP IA PM PP NE

Ottawa:



REF. O



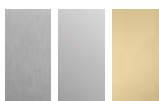
IM IP IA PM PP NE

**LUXURY Line: COLOMBO by SALTO:**

Robodue:



REF. 2



IM CP PP

Robotre:



REF. 3

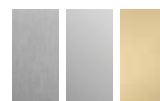


IM CP PP

Roboquattro:



REF. 4

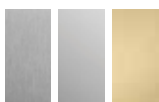


IM CP PP

Elle:



REF. 5



IM CP PP

5 | ROSE

R Round rose door handle.

7 | SQUARE SPINDLE

08 8mm.

09 9mm (Only EURO / DIN models).

8 | THUMBTURN

0 Without thumbturn.

1 SALTO type thumbturn.

6 | FINISH



IM Satin Stainless Steel  
IP Polished Stainless Steel  
CP Polished Chromium



IA Antique Brass  
PM Satin Stainless Steel  
PP Polished Brass PVD  
NE Black PVD

9 | HANDLE HANDING

- No handing.

L / R Left hand / right hand.

## AELEMENT BY SALTO | MORTISE LOCK

AElement requires a good, reliable door locking system. SALTO offers a wide range of mortise locks in order to ensure that the door is correctly locked.

LE	7	E	3	7	55	R	4	1	IM	8	-
—	—	—	—	—	—	—	—	—	—	—	—
PRODUCT TYPE	FORMAT	MODEL	DEADBOLT FUNCTION	LATCH FUNCTION	BACKSET	FOREND FORM	FOREND WIDTH	DETECTOR	FINISH	SQUARE SPINDLE	HANDING
—	—	—	—	—	—	—	—	—	—	—	—
1	2	3	4	5	6	7	8	9	10	11	12

### 1 | PRODUCT TYPE

LE European lock.

LA ANSI lock.

### 2 | FORMAT

7 72 MM (for European mortise lock).

1 Gr 1 (for ANSI mortise lock).

### 3 | MODEL

E For European mortise lock AElement model.

T For ANSI mortise lock AElement model.

### 4 | DEADBOLT FUNCTION

0 Without deadbolt.

1 Deadbolt + panic function.

3 Automatic deadbolt.

### 5 | LATCH FUNCTION

7 Spindle block mechanism.

### 6 | BACKSET

55 55mm.

65 65mm.

70 70mm.

---

**7 | FOREEND FORM**

---

- R Round.
- C Squared.
- A ANSI.

---

**9 | DETECTOR**

---

- 1 Privacy detection.
- 4 Handle, privacy, door status and key override detection.

---

**11 | SQUARE SPINDLE**

---

- S 8mm split.
- V 9mm split.

---

**8 | FOREEND WIDTH**

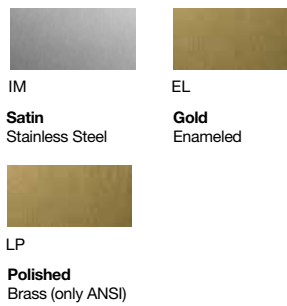
---

- 0 20mm (EURO).
- 4 24mm (EURO).
- 2 32mm (ANSI).
- 7 27mm (ANSI).

---

**10 | FINISH**

---

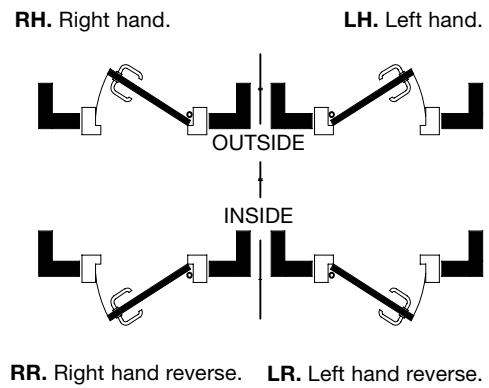


---

**12 | HANDING**

---

- LH Left hand.
- RH Right hand.
- LR Left hand reverse.
- RR Right hand reverse.





## XS4 GEO Cylinders

### **XS4 GEO EU PROFILE CYLINDERS**

European Profile Half Cylinder

European Profile Cylinder

European Profile Double Cylinder

### **XS4 GEO SWISS PROFILE CYLINDERS**

Swiss Profile Half Cylinder

Swiss Profile Cylinder

Swiss Profile Double Cylinder

### **XS4 GEO UK PROFILE CYLINDERS**

UK Oval Profile Half Cylinder

UK Oval Profile Cylinder

UK Oval Profile Double Cylinder

UK RIM Profile Cylinder

### **XS4 GEO SCANDINAVIAN CYLINDERS**

Scandinavian Profile External Cylinder

Scandinavian Profile Internal Cylinder

Scandinavian Profile Security Cylinder

### **XS4 GEO ANSI CYLINDERS**

ANSI Mortise Cylinder

RIM Cylinder

Heavy Duty Deadbolt Cylinder

### **XS4 GEO AUSTRALIAN OVAL CYLINDERS**

### **XS4 GEO CYLINDERS FOR SWING HANDLES**

### **XS4 GEO CYLINDERS FOR CAM LOCKS**

### **XS4 GEO ELECTRONIC PADLOCKS**

### **REFERENCE GUIDE**

Finishes

Models

## XS4 GEO BY SALTO | ELECTRONIC CYLINDERS

Extensive range of wire-free, stand-alone electronic cylinders designed for doors where fitting an electronic escutcheon is not possible or required (e.g. antique doors).

## Technical Data

### POWER SOURCE:

- 1 Lithium standard battery CR2.

### NUMBER OF OPENINGS:

- i-Button version: up to 60,000 on 1 battery.
- Contactless versions: > 200.000 cycles (EN 15684 class 6).
- Low battery power indication monitored through the SALTO Virtual Network (SVN).

### ENVIRONMENTAL CONDITIONS:

- XS4 GEO Electronic cylinders: -20° / 60°.

### IP CERTIFICATIONS:

- Outdoor Protection Standard
- IP55\* MODEL (SALTO GEO standard model).
- IP66\* MODEL (SALTO GEO water resistant model [GxxxxR]).

## Main Features

- Simple installation by changing the cylinder. No wiring or drilling work required.
- Wide range of models and options.
- SALTO SVN and SALTO Wireless network capable.
- User on card audit trailing capability via the SALTO Virtual Network (SVN).
- Covering the mainstream RFID technologies.
- NFC compatible.
- All communication between the carrier and the electronic cylinder is encrypted and secured.
- Low battery status information is obtained from carriers.
- Battery replacement without cylinder removal.
- Optical signalling through light ring. Dual colour green/red to indicate access authorisation. Acoustic signal optional.
- Equipped with anti-drilling protection.
- Optional torx screw to tighten the knob and convert the cylinder on a fixed knob cylinder.
- White and black reader finishes available.
- Wide range of finishes: satin chrome, polished chrome, polished bright brass type (PVD), satin brass type (PVD), black satin.
- Available with antimicrobial BioCote® coating.
- Suitable for emergency exits.
- Firmware upgrade through PPD.
- Emergency opening via portable programming device (PPD).

\* IP66 refers only to electronic knob. Water entrance through the cam is not protected.

In addition to use on doors, other applications including post boxes, server racks, cupboards or boxes can be controlled via SALTO SVN access control and protected by GEO electronic camlocks and padlocks against theft or unauthorized use.

## Access Control Features

### USERS & DOORS:

- Maximum number of users per door: 4 million.
- Maximum number of doors per system: 65,000.
- Access levels: unlimited.

### CALENDARS & TIME ZONES:

- Calendars in system: 256
- Timetables: 1024
- Time periods: 1024

### EVENTS:

- Maximum events on lock audit: 2200.
- Non volatile memory (memory is not deleted, even if power fails).

### MANAGEMENT SOFTWARE:

- SALTO ProAccess SPACE.

### ID TECHNOLOGIES:

- Covering the mainstream RFID technologies.
- Compatible with ISO 14443A, ISO 14443B and ISO 15693 (Vicinity).

## Lock Modes

### STANDARD:

Locked at all times.

### AUTOMATIC OPENING:

8 pairs of "hands free" timed lock and unlocks per day with holidays.

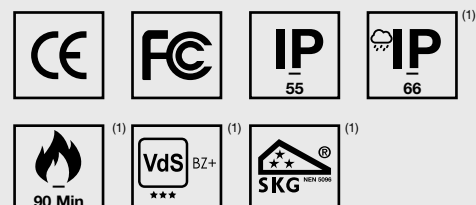
### TOGGLE:

Present card to lock, present card to unlock.

### TIMED TOGGLE:

Present card to lock, present card to unlock depending on schedules.

## Certifications



(1) Depending on the model

# XS4 Geo - EU

## XS4 GxE | EU EUROPEAN PROFILE CYLINDER

The XS4 GEO European cylinder is specially designed to fit most Euro doors that are equipped with a European profile cylinder mortise lock.



Half cylinder



Cylinder with thumbturn



Double reader cylinder for both entry and exit

### FEATURES:

- SALTO SVN and SALTO Wireless network capable.
- All communication between the carrier and the electronic cylinder is encrypted and secured.
- The batteries can be replaced without cylinder removal.
- Optical signalling through light ring. Dual colour green/red to indicate access authorisation. Acoustic signal optional.
- Equipped with anti-drilling protection.
- Optional torx screw to tighten the knob and convert the cylinder on a fixed knob cylinder.
- Emergency opening via portable programming device (PPD).
- AMOK function adds a safe outside override even if the inside cylinder thumbturn is manually blocked.

### READER COLOUR:



### FINISHES:



CS CP PM PP NE BC

### TECHNICAL CHARACTERISTICS:

- Thickness available from 40mm up to 370mm (special body length available for glass doors).
- Plus plug options (+5mm / +10mm) for doors where cylinders needs additional length between the knob and the body.
- Different cam options:
  - European profiles DIN 15mm.
  - Cog wheel: 10 tooth cam and 13 tooth cam.
  - Spain: 13,2mm for metal doors.
- Versions for glass doors available.
- Modular cylinder body assembly on standard configuration option available.
- Available with 2 different locking thumbturns on the inside to operate the cam.
- Anti-panic function available.
- AMOK function available for cylinders with thumbturn.



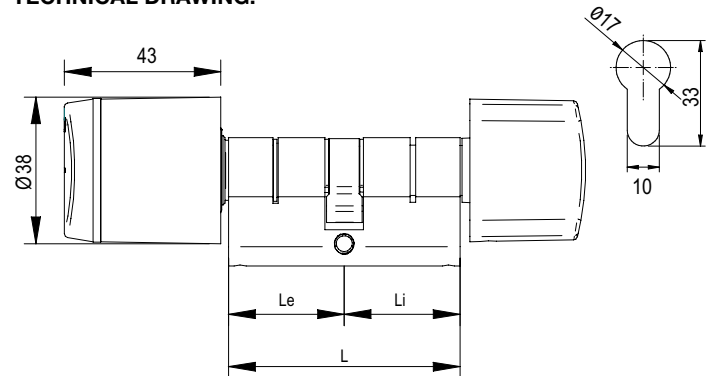
### PLATFORMS:



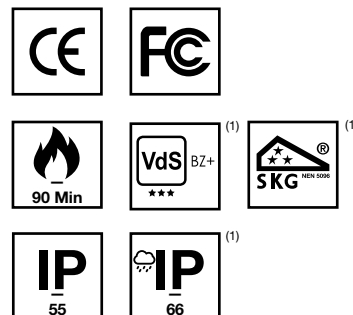
### ID TECHNOLOGIES :

- MIFARE® (DESFire EV1, Plus, Ultralight C, Classic - ISO/IEC 14443).
- NFC.
- LEGIC Prime and LEGIC Advant.
- HID iCLASS®.
- i-Button.

### TECHNICAL DRAWING:



### CERTIFICATIONS:



<sup>(1)</sup> Depending on the model



# XS4 Geo - Swiss

## XS4 GxH | SWISS PROFILE CYLINDER

The XS4 GEO Swiss profile cylinder is specially designed for doors with a Swiss round profile cylinder mortise lock.



Half cylinder



Cylinder with thumbturn



Double reader cylinder for both entry and exit

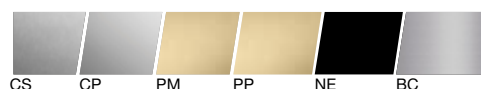
### FEATURES:

- SALTO SVN and SALTO Wireless network capable.
- All communication between the carrier and the electronic cylinder is encrypted and secured.
- The batteries can be replaced without cylinder removal.
- Optical signalling through light ring. Dual colour green/red to indicate access authorisation. Acoustic signal optional.
- Equipped with anti-drilling protection.
- Optional torx screw to tighten the knob and convert the cylinder on a fixed knob cylinder.
- Emergency opening via portable programming device (PPD).

### READER COLOUR:



### FINISHES:



### TECHNICAL CHARACTERISTICS:

- Available from 40mm up to 370mm in thickness (special body length available for glass doors).
- Plus plug options (+5mm / +10mm) for doors where cylinders need additional length between the knob and the body.
- Different cam options:
  - Swiss 15mm.
  - Cog wheel: 10 tooth cam and 13 tooth cam.
- Versions for glass doors available.
- Available with 2 different locking thumbturns on the inside to operate the cam.

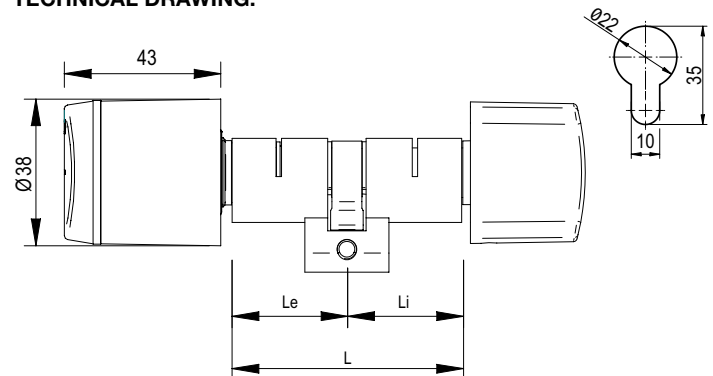
### PLATFORMS:



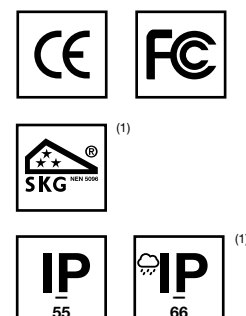
### ID TECHNOLOGIES :

- MIFARE® (DESFire EV1, Plus, Ultralight C, Classic - ISO/IEC 14443).
- NFC.
- LEGIC Prime and LEGIC Advant.
- HID iCLASS®.
- i-Button.

### TECHNICAL DRAWING:



### CERTIFICATIONS:



<sup>(1)</sup> Depending on the model

# XS4 Geo - RIM UK

XS4 GxU | UK RIM PROFILE CYLINDER

The XS4 GEO UK RIM cylinder is specially designed to fit most doors that are equipped with surface mounted lock cases, panic bars and top guards that need this type of locking system.



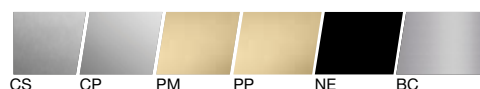
## FEATURES:

- SALTO SVN and SALTO Wireless network capable.
- All communication between the carrier and the electronic cylinder is encrypted and secured.
- The batteries can be replaced without cylinder removal.
- Optical signalling through light ring. Dual colour green/red to indicate access authorisation. Acoustic signal optional.
- Equipped with anti-drilling protection.
- Optional torx screw to tighten the knob and convert the cylinder on a fixed knob cylinder.
- Emergency opening via portable programming device (PPD).

## READER COLOUR:



## FINISHES:



CS CP PM PP NE BC

## TECHNICAL CHARACTERISTICS:

- Suitable for 70mm door thickness.
- Compatible with any brand of nightlatch and provides a standard level of security.
- Standard ring, backplate and screws included.

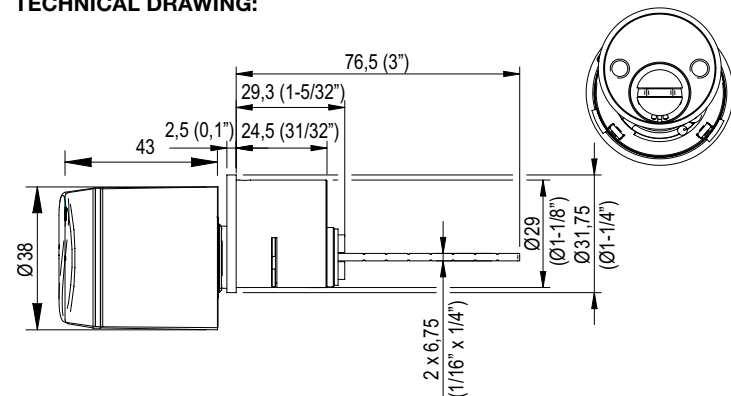
## PLATFORMS:



## ID TECHNOLOGIES :

- MIFARE® (DESFire EV1, Plus, Ultralight C, Classic - ISO/IEC 14443).
- NFC.
- LEGIC Prime and LEGIC Advant.
- HID iCLASS®.
- i-Button.

## TECHNICAL DRAWING:



## CERTIFICATIONS:



<sup>(1)</sup> Depending on the model

# XS4 Geo - UK

## XS4 GxU | UK OVAL PROFILE CYLINDER

The XS4 GEO UK oval cylinder is specially designed to fit most doors that are equipped with a UK profile cylinder mortise lock.



Half cylinder



Cylinder with thumbturn



Double reader cylinder for both entry and exit

### FEATURES:

- SALTO SVN and SALTO Wireless network capable.
- All communication between the carrier and the electronic cylinder is encrypted and secured.
- The batteries can be replaced without cylinder removal.
- Optical signalling through light ring. Dual colour green/red to indicate access authorisation. Acoustic signal optional.
- Equipped with anti-drilling protection.
- Optional torx screw to tighten the knob and convert the cylinder on a fixed knob cylinder.
- Emergency opening via portable programming device (PPD).

### READER COLOUR:



### FINISHES:



CS CP PM PP NE BC

### TECHNICAL CHARACTERISTICS:

- Available from 40mm up to 370mm in thickness.
- Plus plug options (+5mm / +10mm) for doors where cylinders need additional length between the knob and the body.
- Cam: UK cam 14.3mm.
- Versions for glass doors available.
- Available with 2 different locking thumbturns on the inside to operate the cam.

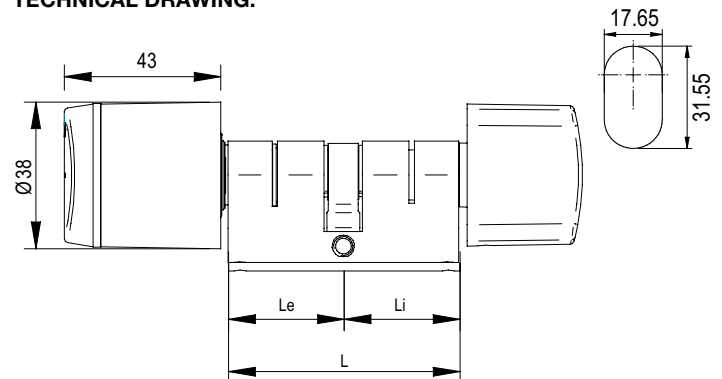
### PLATFORMS:



### ID TECHNOLOGIES :

- MIFARE® (DESFire EV1, Plus, Ultralight C, Classic - ISO/IEC 14443).
- NFC.
- LEGIC Prime and LEGIC Advant.
- HID iCLASS®.
- i-Button.

### TECHNICAL DRAWING:



### CERTIFICATIONS:

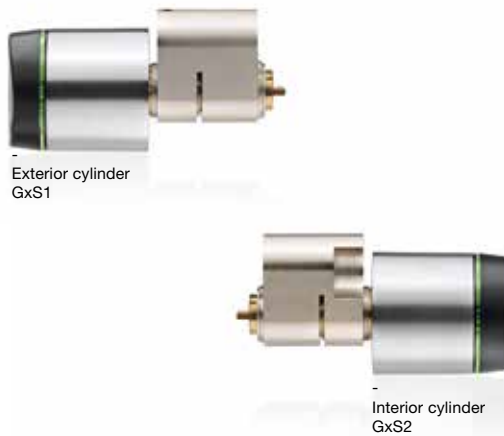


<sup>(1)</sup> Depending on the model

# XS4 Geo - Scandinavian

## XS4 GxS | SCANDINAVIAN NORDIC PROFILE CYLINDER

The XS4 GEO Scandinavian external cylinder is specially designed to fit most doors that are equipped with a Scandinavian profile cylinder mortise lock. It can be a double reader in combination with the GxS2 (entrance & exit).



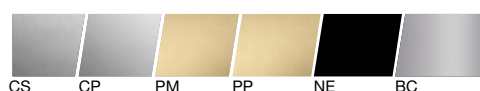
### FEATURES:

- SALTO SVN and SALTO Wireless network capable.
- All communication between the carrier and the electronic cylinder is encrypted and secured.
- The batteries can be replaced without cylinder removal.
- Optical signalling through light ring. Dual colour green/red to indicate access authorisation. Acoustic signal optional.
- Equipped with anti-drilling protection.
- Optional torx screw to tighten the knob and convert the cylinder on a fixed knob cylinder.
- Suitable for medium to high security applications.
- Emergency opening via portable programming device (PPD).

### READER COLOUR:



### FINISHES:



### TECHNICAL CHARACTERISTICS:

- To be fitted to a standard Scandinavian standard door.
- Standard accessory sets for Scandinavian oval cylinders, secure plates protection for cylinders available.
- Can be used with most ASSA ABLOY®, ASSA / RUKO and TRIOVING lock cases.
- Different sizes of screws and cylinder rings available.
- For interior and exterior use.

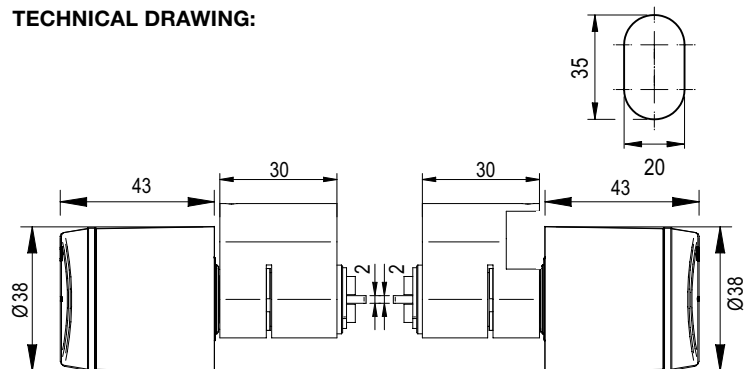
### PLATFORMS:



### ID TECHNOLOGIES :

- MIFARE® (DESFire EV1, Plus, Ultralight C, Classic - ISO/IEC 14443).
- NFC.
- LEGIC Prime and LEGIC Advant.
- HID iCLASS®.
- i-Button.

### TECHNICAL DRAWING:



### CERTIFICATIONS:



<sup>(1)</sup> Depending on the model

# XS4 Geo - Scandinavian

## XS4 GxS | SCANDINAVIAN NORDIC PROFILE CYLINDER

The XS4 GEO Scandinavian external cylinder is specially designed to fit most doors that are equipped with a Scandinavian security external profile cylinder mortise lock.



Security cylinder GxS3



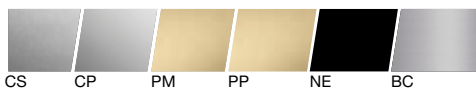
### FEATURES:

- SALTO SVN and SALTO Wireless network capable.
- All communication between the carrier and the electronic cylinder is encrypted and secured.
- The batteries can be replaced without cylinder removal.
- Optical signalling through light ring. Dual colour green/red to indicate access authorisation. Acoustic signal optional.
- Equipped with anti-drilling protection.
- Optional torx screw to tighten the knob and convert the cylinder on a fixed knob cylinder.
- Suitable for high security applications.
- Emergency opening via portable programming device (PPD).

### READER COLOUR:



### FINISHES:



CS CP PM PP NE BC

### TECHNICAL CHARACTERISTICS:

- To be fitted to a standard Scandinavian standard door.
- Standard accessory sets for Scandinavian oval cylinders, secure plates protection for cylinders available.
- Can be used with most round ASSA ABLOY®, ASSA / RUKO and TRIOVING lock cases.
- Different sizes of screws and cylinder rings available.
- For interior and exterior use.

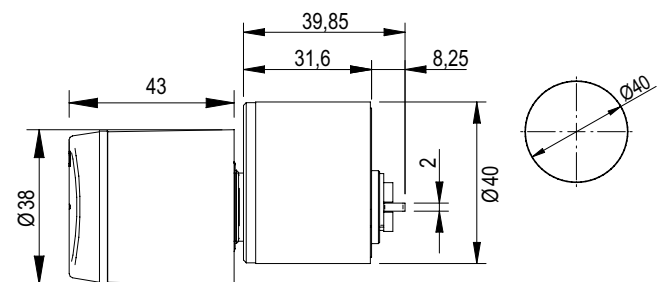
### PLATFORMS:



### ID TECHNOLOGIES :

- MIFARE® (DESFire EV1, Plus, Ultralight C, Classic - ISO/IEC 14443).
- NFC.
- LEGIC Prime and LEGIC Advant.
- HID iCLASS®.
- i-Button.

### TECHNICAL DRAWING:



### CERTIFICATIONS:



<sup>(1)</sup> Depending on the model

# XS4 Geo - Mortise

XS4 GxM | ANSI MORTISE CYLINDER

The XS4 GEO mortise cylinder is specially designed to fit most doors that are equipped with a mortise lock that need a mortise cylinder.



## FEATURES:

- SALTO SVN and SALTO Wireless network capable.
- All communication between the carrier and the electronic cylinder is encrypted and secured.
- The batteries can be replaced without cylinder removal.
- Optical signalling through light ring. Dual colour green/red to indicate access authorisation. Acoustic signal optional.
- Equipped with anti-drilling protection.
- Optional torx screw to tighten the knob and convert the cylinder on a fixed knob cylinder.
- Emergency opening via portable programming device (PPD).

## READER COLOUR:



## FINISHES:



CS CP PM PP NE BC

## TECHNICAL CHARACTERISTICS:

- Available from 29mm (1-1/8") to 50mm (2") mortise lengths.
- Standard and Adams Rite cams included.
- Compatible with most of market standard cams (Medeco®, Yale®, Marks®, Ilco®)
- Optional ring available for better fitting.
- Tool accessory for an accurate installation.

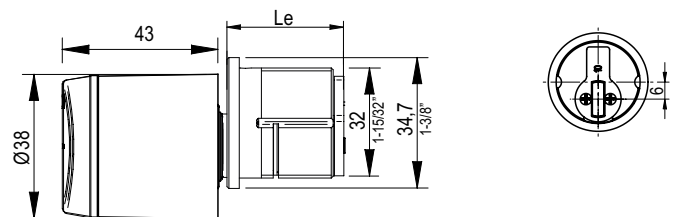
## PLATFORMS:



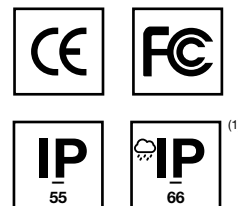
## ID TECHNOLOGIES :

- MIFARE® (DESFire EV1, Plus, Ultralight C, Classic - ISO/IEC 14443).
- NFC.
- LEGIC Prime and LEGIC Advant.
- HID iCLASS®.
- i-Button.

## TECHNICAL DRAWING:



## CERTIFICATIONS:



<sup>(1)</sup> Depending on the model

# XS4 Geo - RIM US

## XS4 GxB | RIM ANSI CYLINDER

The XS4 GEO RIM US cylinder is specially designed to fit most doors that are equipped with surface mounted lock cases, panic bars and top guards that need a RIM cylinder.



### FEATURES:

- SALTO SVN and SALTO Wireless network capable.
- All communication between the carrier and the electronic cylinder is encrypted and secured.
- The batteries can be replaced without cylinder removal.
- Optical signalling through light ring. Dual colour green/red to indicate access authorisation. Acoustic signal optional.
- Equipped with anti-drilling protection.
- Optional torx screw to tighten the knob and convert the cylinder on a fixed knob cylinder.
- Emergency opening via portable programming device (PPD).

### READER COLOUR:



### FINISHES:



CS CP PM PP NE BC

### TECHNICAL CHARACTERISTICS:

- External cylinder, one knob.
- No thumbturn.
- Ring, backplate and screws included.
- GxB2 option for Schlage B-Series.

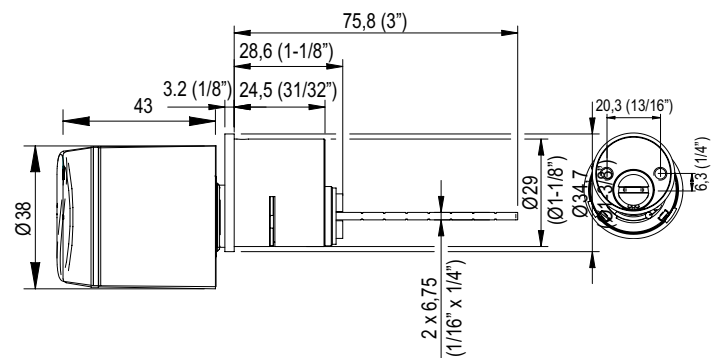
### PLATFORMS:



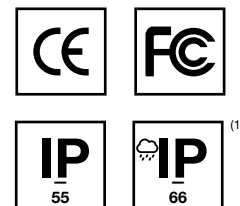
### ID TECHNOLOGIES :

- MIFARE® (DESFire EV1, Plus, Ultralight C, Classic - ISO/IEC 14443).
- NFC.
- LEGIC Prime and LEGIC Advant.
- HID iCLASS®.
- i-Button.

### TECHNICAL DRAWING:



### CERTIFICATIONS:



<sup>(1)</sup> Depending on the model

# XS4 Geo - Deadbolt

## XS4 GxB | DEADBOLT CYLINDER

The XS4 GEO Deadbolt cylinder model is a specially designed, heavy duty deadbolt cylinder that meets A156.36 grade 1 requirements, and also has a trim ring with protective sleeves that protect and prevent the lock from being attacked through the door. The trim ring also protects the lock from attacks coming vertically. It is designed to provide high levels of security and fit all standard doors in ANSI markets.



### FEATURES:

- SALTO SVN and SALTO Wireless network capable.
- All communication between the carrier and the electronic cylinder is encrypted and secured.
- The batteries can be replaced without cylinder removal.
- Optical signalling through light ring. Dual colour green/red to indicate access authorisation. Acoustic signal optional.
- Equipped with anti-drilling protection.
- Optional torx screw to tighten the knob and convert the cylinder on a fixed knob cylinder.
- Emergency opening via portable programming device (PPD).

### READER COLOUR:



### FINISHES:



CS CP

### TECHNICAL CHARACTERISTICS:

- Available from 35mm - 51mm up to 64mm in thickness.
- Trim ring with protective sleeve protects the lock from attack through the door.
- Trim ring protects lock from vertical attacks.
- Square corner strike 1-1/8" x 2-1/4" (29mm x 70mm) with dustbox.
- Heavy duty steel support plate with 3" wood screws to strengthen the wood jamb.
- Reinforced turn knob assembly.
- Available with three different functions:
  - Single cylinder.
  - Classroom style.
  - Double cylinder for both inside and outside opening with the smart credential.

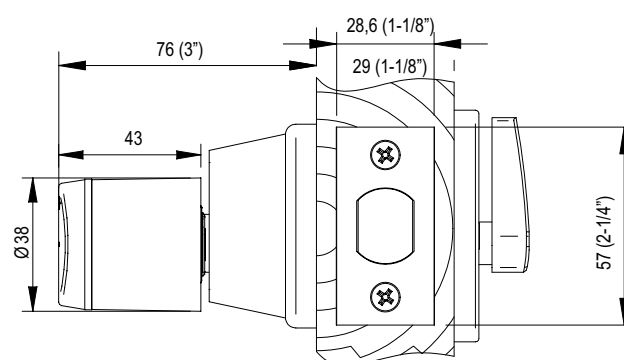
### PLATFORMS:



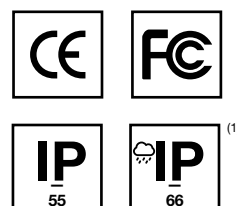
### ID TECHNOLOGIES :

- MIFARE® (DESFire EV1, Plus, Ultralight C, Classic - ISO/IEC 14443).
- NFC.
- LEGIC Prime and LEGIC Advant.
- HID iCLASS®.
- i-Button.

### TECHNICAL DRAWING:



### CERTIFICATIONS:



<sup>(1)</sup> Depending on the model



# XS4 Geo - Australia

## XS4 GxA | AUSTRALIAN OVAL CYLINDER

The XS4 GEO Australian oval profile cylinder is specially designed to fit most Australian doors that are equipped with an Australian oval profile cylinder mortise lock.



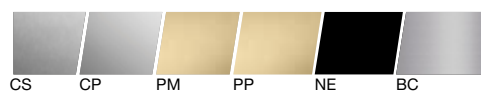
### FEATURES:

- SALTO SVN and SALTO Wireless network capable.
- All communication between the carrier and the electronic cylinder is encrypted and secured.
- The batteries can be replaced without cylinder removal.
- Optical signalling through light ring. Dual colour green/red to indicate access authorisation. Acoustic signal optional.
- Equipped with anti-drilling protection.
- Optional torx screw to tighten the knob and convert the cylinder on a fixed knob cylinder.
- Emergency opening via portable programming device (PPD).

### READER COLOUR:



### FINISHES:



### TECHNICAL CHARACTERISTICS:

- Single oval cylinder for Australian mortise locks.
- Australian standard 'X' cam.

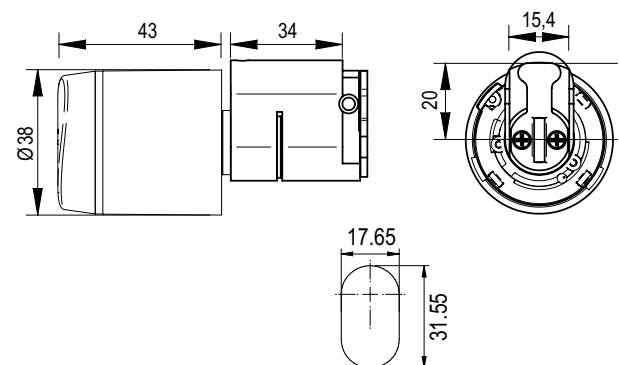
### PLATFORMS:



### ID TECHNOLOGIES :

- MIFARE® (DESFire EV1, Plus, Ultralight C, Classic - ISO/IEC 14443).
- NFC.
- LEGIC Prime and LEGIC Advant.
- HID iCLASS®.
- i-Button.

### TECHNICAL DRAWING:



### CERTIFICATIONS:



<sup>(1)</sup> Depending on the model

# XS4 Geo - Swing Handle

## XS4 GxE | SWING HANDLE

The XS4 GEO half cylinder is specially designed to fit most swing handle\* rack servers. Ideal for use on applications where control of the operation of the rack is needed, enhancing the control and security of access to the server racks.



### TECHNICAL CHARACTERISTICS:

- Available for distances from 40mm up to 45mm.
- Optional, with knob extension of 5mm or 10mm for swing handles with sliding cover.
- Special auto locking cam.
- Compatible with most of market standard racks swing handle (Dirak®, Emka® and others).

### PLATFORMS:



### ID TECHNOLOGIES :

- MIFARE® (DESFire EV1, Plus, Ultralight C, Classic - ISO/IEC 14443).
- NFC.
- LEGIC Prime and LEGIC Advant.
- HID iCLASS®.
- i-Button.

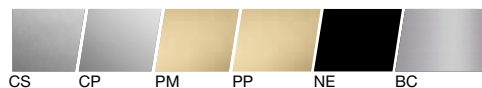
### FEATURES:

- SALTO SVN and SALTO Wireless network capable.
- All communication between the carrier and the electronic cylinder is encrypted and secured.
- The batteries can be replaced without cylinder removal.
- Optical signalling through light ring. Dual colour green/red to indicate access authorisation. Acoustic signal optional.
- Equipped with anti-drilling protection.
- Optional torx screw to tighten the knob and convert the cylinder on a fixed knob cylinder.
- Emergency opening via portable programming device (PPD).

### READER COLOUR:

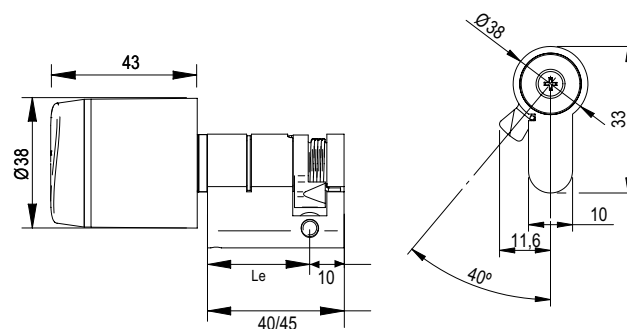


### FINISHES:

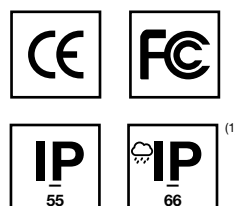


CS CP PM PP NE BC

### TECHNICAL DRAWING:



### CERTIFICATIONS:



<sup>(1)</sup> Depending on the model

# XS4 Geo - Cam Lock

## XS4 GxCL | CAM LOCK CYLINDER

The XS4 GEO Cam Lock electronic cylinder is specially designed to fit most cabinets equipped with a cam locking mechanism. The cam itself acts as a locking bolt and is directly operated when the card is presented by the user and turns the plug. The cam rotates between 180 and 90 degrees, securing the lock. This patented system provides an extra level of protection from intrusions with a high security blocking mechanism that is exclusive to SALTO.



### FEATURES:

- SALTO SVN and SALTO Wireless network capable.
- All communication between the carrier and the electronic cylinder is encrypted and secured.
- The batteries can be replaced without cylinder removal.
- Optical signalling through light ring. Dual colour green/red to indicate access authorisation. Acoustic signal optional.
- Equipped with anti-drilling protection.
- Optional torx screw to tighten the knob and convert the cylinder on a fixed knob cylinder.
- Emergency opening via portable programming device (PPD).

### READER COLOUR:



### FINISHES:



CS CP PM PP NE BC

### TECHNICAL CHARACTERISTICS:

- Available from 1mm to 22mm door thickness.
- Easy installation on steel lockers or wooden doors.
- Different cam lengths: 28mm or 40mm included.
- 19mm Body diameter.
- Security collar included for an accurate installation.

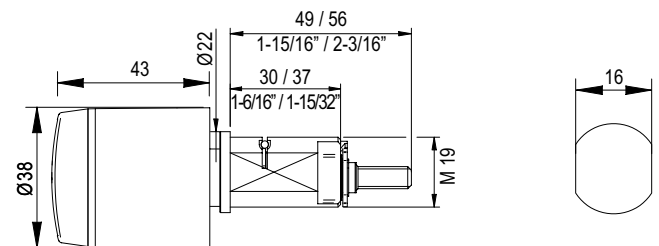
### PLATFORMS:



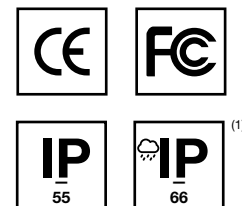
### ID TECHNOLOGIES :

- MIFARE® (DESFire EV1, Plus, Ultralight C, Classic - ISO/IEC 14443).
- NFC.
- LEGIC Prime and LEGIC Advant.
- HID iCLASS®.
- i-Button.

### TECHNICAL DRAWING:



### CERTIFICATIONS:



<sup>(1)</sup> Depending on the model

# XS4 Geo - Padlocks

XS4 GxP | PADLOCKS

The XS4 GEO Electronic Padlock is a versatile locking solution that enables users to benefit from the advantages of electronic access control where previously it was only possible to use a mechanical locking solution (i.e., perimeter or fire access gates, industrial equipment yards and residential storage areas).



## FEATURES:

- SALTO SVN and SALTO Wireless network capable.
- All communication between the carrier and the electronic cylinder is encrypted and secured.
- The batteries can be replaced without cylinder removal.
- Optical signalling through light ring. Dual colour green/red to indicate access authorisation. Acoustic signal optional.
- Equipped with anti-drilling protection.
- Optional torx screw to tighten the knob and convert the cylinder on a fixed knob cylinder.
- Suitable for medium to high security applications.
- Emergency opening via portable programming device (PPD).

## READER COLOUR:



## FINISHES:



CP

## TECHNICAL CHARACTERISTICS:

- Polished chromium finish padlock.
- Shackle made of stainless steel.
- Different shackle lengths available: 30mm, 60mm or 90mm.
- Shackle diameter: 8mm (Only for 48mm body).
- Shackle diameter: 9,5mm (Only for 58mm body).
- Available only in polished chrome finish.

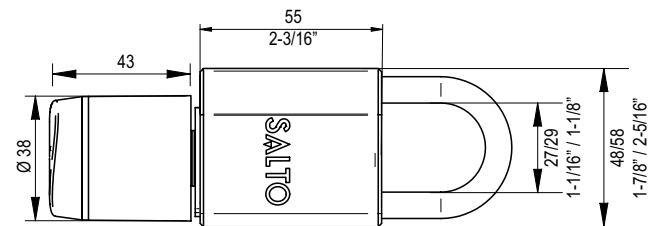
## PLATFORMS:



## ID TECHNOLOGIES :

- MIFARE® (DESFire EV1, Plus, Ultralight C, Classic - ISO/IEC 14443).
- NFC.
- LEGIC Prime and LEGIC Advant.
- HID iCLASS®.
- i-Button.

## TECHNICAL DRAWING:



## CERTIFICATIONS:



# Accessories

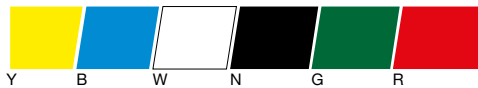
## XS4 GEO GRIPS | A (DDA) MODEL

XS4 GEO cylinder grips have been designed to improve the operation of XS4 GEO electronic cylinders by the disabled. The SALTO XS4 GEO electronic cylinder grips provide an additional surface, thereby making the knob easier to operate.



---

### FINISHES:



---

### FEATURES:

- DDA compliant, adapted to suit the disabled.
- Coated with BioCote® antimicrobial technology.

---

## XS4 GEO GRIPS | H MODEL

XS4 GEO cylinder grips have been designed to improve the operation of XS4 GEO electronic cylinders. Suitable for use with gloves, the SALTO XS4 GEO electronic cylinder grips provide an additional surface, thereby making the knob easier to operate.



---

### FINISHES:



---

### FEATURES:

- Coated with BioCote® antimicrobial technology.

# Reference guide information

## XS4 GEO | ELECTRONIC CYLINDER

The XS4 GEO range of electronic cylinders is fully integrated with the SALTO XS4 platform and their versatile, compact size makes them an ideal solution for almost any type of door where fitting a conventional electronic handle set is not possible or required.

<b>G</b>	<b>9</b>	<b>E2</b>	<b>1</b>	<b>30</b>	<b>R</b>	<b>30</b>	<b>CSB</b>	<b>D</b>	<b>W</b>	<b>A</b>	<b>S</b>	<b>R</b>
—	—	—	—	—	—	—	—	—	—	—	—	—
<b>PRODUCT TYPE</b>	<b>ID TECHNOLOGY</b>	<b>MODEL</b>	<b>KNOB TYPE</b>	<b>EXTERIOR LENGTH</b>	<b>THUMBTURN</b>	<b>INTERIOR LENGTH</b>	<b>FINISHES</b>	<b>CAM</b>	<b>WIRELESS TECHNOLOGY</b>	<b>SPECIAL FUNCTION</b>	<b>CERTIFICATION</b>	<b>WATER RESISTANCE</b>
1	2	3	4	5	6	7	8	9	10	11	12	13

### 1 | PRODUCT TYPE

G SALTO GEO electronic cylinder.

### 2 | ID TECHNOLOGY

#### i-Button

2 i-Button  
(Selfprogrammable, ROM and RW capable).

#### RFID

8 Contactless LEGIC® Advant & Prime.

9 Contactless MIFARE®.

H Contactless HID iCLASS®.

### 3 | MODEL

E1 Half Euro profile cylinder.

H2 Swiss round profile cylinder with thumbturn.

E2 Euro profile cylinder with thumbturn.

H3 Swiss round profile double cylinder, double knob.

E3 Euro profile double cylinder, double knob.

S1 Standard Scandinavian external cylinder.

U1 Half UK profile cylinder.

S2 Standard Scandinavian internal cylinder.

U2 UK profile cylinder with thumbturn.

S3 Scandinavian Security external cylinder.

U3 UK profile double cylinder, double knob.

M1 Mortise US profile cylinder.

K1 UK profile RIM cylinder.

B1-B2 US profile RIM cylinder.

H1 Half Swiss round profile cylinder.

B3 Heavy duty deadbolt.

---

### 3 | MODEL

---

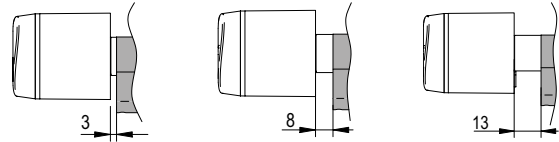
A1	Australian oval profile cylinder.	CL	Cam lock cylinder.
E9	Electronic cylinder for swing handles.	P2	Cylinder Padlock.

---

### 4 | KNOB TYPE

---

- 1 Standard removable knob.
- 2 Removable knob with plug of 5mm.
- 3 Removable knob with plug of 10mm.




---

### 5 - 7 | EXTERIOR AND INTERIOR LENGTH

---

00	Not applicable.	60	60mm.	95	95mm.	1G	130mm.	1N	165mm.
30	30mm.	65	65mm.	1A	100mm.	1H	135mm.	29	29mm.
35	35mm.	70	70mm.	1B	105mm.	1I	140mm.	32	32mm.
40	40mm.	75	75mm.	1C	110mm.	1J	145mm.	35	35mm.
45	45mm.	80	80mm.	1D	115mm.	1K	150mm.	38	38mm.
50	50mm.	85	85mm.	1E	120mm.	1L	155mm.	41	41mm.
55	55mm.	90	90mm.	1F	125mm.	1M	160mm.	44	50mm.

---

### 6 | THUMBTURN

---

- |   |               |   |                     |   |                  |
|---|---------------|---|---------------------|---|------------------|
| N | No thumbturn. | S | Standard thumbturn. | R | Round thumbturn. |
|---|---------------|---|---------------------|---|------------------|



# Reference guide information

## XS4 GEO | ELECTRONIC CYLINDER

The XS4 GEO range of electronic cylinders is fully integrated with the SALTO XS4 platform and their versatile, compact size makes them an ideal solution for almost any type of door where fitting a conventional electronic handle set is not possible or required.

---

### 8 | FINISHES

---

The XS4 GEO electronic cylinder is available in a choice of six different finishes (BioCote® Coating technology available), with proximity readers available in black or white, to perfectly complement any décor and design.

**CSB:** Satin chrome black reader  
**CSW:** Satin chrome white reader



**CPB:** Polished chrome black reader  
**CPW:** Polished chrome white reader



**PPB:** Polished bright brass type (PVD) black reader  
**PPW:** Polished bright brass type (PVD) white reader



**PMB:** Satin brass type (PVD) black reader  
**PMW:** Satin brass type (PVD) white reader



**NEB:** Satin black chromium black reader  
**NEW:** Satin black chromium white reader



**BCB:** BioCote satin chrome black reader  
**BCW:** BioCote satin chrome white reader



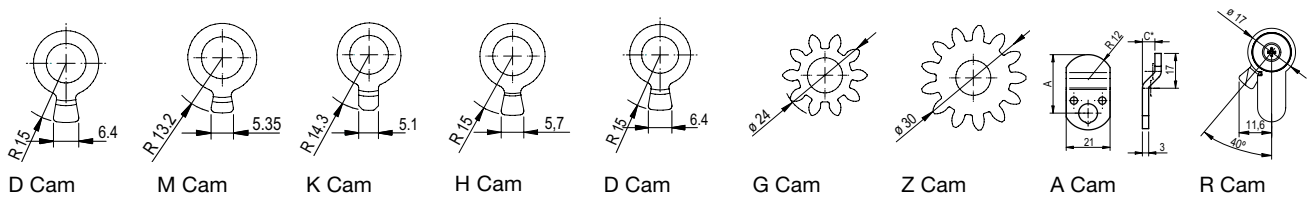


---

## 9 | CAM

---

N	Not applicable.	G	Cog wheel 10 tooth cam.
D	DIN 15mm.	Z	Cog wheel 13 tooth cam.
M	13,2 mm (Spain for metal doors).	A	Cam lock cam (standard "C" range).
K	UK 14,3 mm.	R	Swing handle cam.
H	Swiss 15mm.		




---

## 10 | WIRELESS TECHNOLOGY

---

-	Offline data-on-card capable.	S	SALLIS Wireless online technology.
W	Wireless online.	Y	SALTO KS by SALTO technology.

---

## 11 | SPECIAL FUNCTION

---

-	No panic function.
A	Panic function A.
K	AMOK function.

---

## 12 | CERTIFICATION

---

-	Standard certifications.
G	SKG*** certified.
V	VDS BZ+ certified.

---

## 13 | WATER RESISTANCE

---

-	Standard (IP55 - knob only).
R	Increased water resistance (IP66 - knob only).



## XS4 Wall Readers

### **XS4 WALL READER 2.0**

European Wall Reader 2.0

European Wall Reader 2.0 with Keypad

ANSI Wall Reader 2.0

ANSI Wall Reader 2.0 with Keypad

### **XS4 MODULAR WALL READERS**

Modular Wall Reader 2.0

Modular Wall Reader

Modular Wall Reader Pedestal

Original Narrow Profile Wall Reader

### **XS4 EUROPEAN WALL READER ACCESSORIES**

Modular Keypad

Modular Antivandalic Frame

Modular Wall Reader Base

## XS4 WALL READERS | PERIPHERALS

SALTO offers a wide range of wall readers that, in combination with SALTO Door Controllers enable the expansion of SALTO access control benefits to all those doors where a stand-alone electronic lock cannot be fitted, i.e. barriers, lifts, sliding doors or electronic gates, where control must be boosted by online real-time access control.

---

## Main Features

- Modern aesthetic design with clear LED signaling.
- Fully integrated with the SALTO XS4 platform.
- Virtual network capable through SALTO Virtual Network dat-on-card technology.
- Covering the mainstream RFID technologies.
- NFC compatible.
- All communications between the carrier and the wall reader are encrypted and secure.<sup>2</sup>
- Acoustic and optical signalling, dual colour green/red to indicate access authorisation.
- Blue coloured LED to indicate carrier updating.
- Available in different finishes.
- Concealed fixing screw for greater security and improved aesthetics.
- For external use and protection against vandalism; can be used with the WRMFVAV frame and flush mounting base.<sup>3</sup>
- Connection to the door controller using AWG24 twisted pair or AWG18 cable connection.
- Compatible with standard electrical back boxes for easy fitting.\*
- Can be used for integration with other systems through the addition of the Wall Reader Adaptor or Control Unit Adaptor.
- Emergency opening by means of contactless portable programming device (PPD).

---

## Technical Data

### CURRENT REQUIRED:

- 5V supplied by the door controller.

### CONNECTION WITH THE DOOR CONTROLLER:

- Using AWG24 twisted pair or AWG18 cable connection.

### MAXIMUM DISTANCE BETWEEN THE DOOR CONTROLLER AND THE WALL READER:

- 400 meters<sup>4</sup> using a twisted pair cable.

### ENVIRONMENTAL CONDITIONS:

- External lock: -20° / 60°.

The wall readers read encrypted data contained on the carrier and communicate it to the door controller. They also allow for updating of the carrier via SALTO Virtual Network (SVN) technology, making it possible to cancel lost or stolen cards remotely.

---

## Access Control Features

### USERS & DOORS:

- Maximum number of users per door: 4 million.
- Maximum number of doors per system: 65,000.
- Access levels: unlimited.

### CALENDARS & TIME ZONES:

- Calendars in system: 256
- Timetables: 1024
- Time periods: 1024

### EVENTS:

- Maximum events on controller: 5,000.
- Non volatile memory (memory is not deleted, even if power fails).

### MANAGEMENT SOFTWARE:

- SALTO ProAccess SPACE.

### ID TECHNOLOGIES:

- Covering the mainstream RFID contactless technologies.
- Compatible with ISO 14443A, ISO 14443B and ISO 15693 (Vicinity).

---

<sup>1</sup> Depending on the model

<sup>2</sup> Depending on the credential

<sup>3</sup> For Modular Wall Reader range only

<sup>4</sup> Depending on the cable

# XS4 Wall Reader 2.0

XS4 WRDB0E | EUROPEAN WALL READER 2.0

The SALTO XS4 Wall Reader 2.0 incorporates the cutting-edge design standard of the XS4 2.0 product range in this technological powerhouse. In combination with the SALTO XS4 2.0 Controller, it facilitates the integration of the wall reader with almost any SALTO interface such as SALTO ProAccess SPACE, to provide your facility with a complete security solution.



## FEATURES:

- Modern aesthetic design with green/red and blue clear LED colour optical signal.
- Conical or flat square shape with rounded corners.
- Compatible with standard European electric boxes.
- Fully integrated with the SALTO XS4 platform.
- Virtual network capable through SALTO SVN data-on-card technology.
- Acoustic and optical signalling, dual colour green/red to indicate access authorisation.
- Blue light indicates that the user key update is in progress through SALTO Virtual Network technology.
- Available for surface mounting.
- Concealed fixing screws for greater security and improved aesthetics.

## READER COLOUR:



## TECHNICAL CHARACTERISTICS:

- Specially designed to fit European standard electric boxes, making the installation quick and easy.
- To be used in combination with XS4 2.0 controllers (CU42xxx) or SALTO KS controllers (CU41xxx).
- Connection to the door controller: 4 wires.
- Designed to work with an online SVN access control platform, or with a stand-alone system.
- Maximum distance between the door controller and the wall reader 400m<sup>1</sup> using a twisted pair cable.
- Includes tamper to monitor if the wall reader has been opened.
- Reading distance from 35 to 50mm depending on the RFID technology.

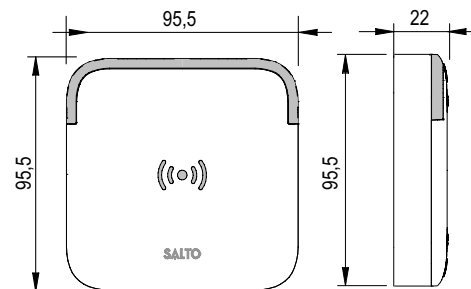
## PLATFORMS:



## ID TECHNOLOGIES :

- MIFARE® (DESFire EV1, Plus, Ultralight C, Classic - ISO/IEC 14443).
- Bluetooth SMART (BLE).
- NFC.
- HID iCLASS®.

## TECHNICAL DRAWING:



## CERTIFICATIONS:



<sup>1</sup> Depending on the cable

# XS4 Wall Reader 2.0

XS4 WRDBE\_K | EUROPEAN WR 2.0 WITH KEYPAD

The SALTO XS4 Wall Reader 2.0 with keypad incorporates the cutting-edge design standard of the XS4 2.0 product range in this technological powerhouse. This product allows for the additional use of a Personal Identification Number (PIN) keypad option, increasing the security by using a double authentication and more enhanced opening modes.



## FEATURES:

- Modern aesthetic design with green/red and blue clear LED colour optical signal.
- Conical or flat square shape with rounded corners.
- Compatible with standard European electric boxes.
- Fully integrated with the SALTO XS4 platform.
- Virtual network capable through SALTO SVN data-on-card technology.
- Permits additional opening modes and user authentication through a user PIN.
- Keys are illuminated for better visibility (intelligent lighting).
- Acoustic and optical signalling, dual colour green/red to indicate access authorisation.
- Blue light indicates that the user key update is in progress through SALTO Virtual Network technology.
- Available for surface mounting.
- Concealed fixing screws for greater security and improved aesthetics.

## OPENING MODES:

- Opening through key card.
- Opening through key card plus personal PIN.
- Opening through door code.

## READER COLOUR:



## TECHNICAL CHARACTERISTICS:

- Specially designed to fit European standard electric boxes, making the installation quick and easy.
- To be used in combination with XS4 2.0 controllers (CU42xxx)
- Connection to the door controller: 4 wires.
- Designed to work with an online SVN access control platform, or with a stand-alone system.
- Maximum distance between the door controller and the wall reader 400m<sup>1</sup> using a twisted pair cable.
- Includes tamper to monitor if the wall reader has been opened.
- Reading distance from 35 to 50mm depending on the RFID technology.

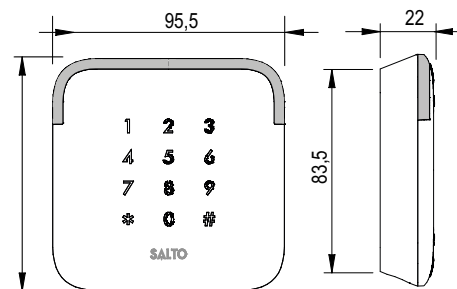
## PLATFORMS:



## ID TECHNOLOGIES :

- MIFARE® (DESFire EV1, Plus, Ultralight C, Classic - ISO/IEC 14443).
- Bluetooth SMART (BLE).
- NFC.
- HID iCLASS®.

## TECHNICAL DRAWING:



## CERTIFICATIONS:



<sup>1</sup> Depending on the cable

# XS4 Wall Reader 2.0

XS4 WRDB0A | ANSI WALL READER 2.0

The SALTO XS4 Wall Reader 2.0 incorporates the cutting-edge design standard of the XS4 2.0 product range in this technological powerhouse. The SALTO XS4 Wall Reader 2.0 in combination with the SALTO XS4 2.0 Controller facilitates the integration of the wall reader with almost any SALTO interface, such as SALTO ProAccess SPACE to provide your facility with a complete security solution.

This wall reader has been specially designed to fit ANSI standard electric boxes to make the installation easier.



## FEATURES:

- Modern aesthetic design with green/red and blue clear LED colour optical signal.
- Rectangular shape with rounded corners.
- Compatible with standard ANSI electric boxes.
- Fully integrated with the SALTO XS4 platform.
- Virtual network capable through SALTO SVN data-on-card technology.
- Acoustic and optical signalling, dual colour green/red to indicate access authorisation.
- Blue light indicates that the user key update is in progress through SALTO Virtual Network technology.
- Available for surface mounting.
- Concealed fixing screws for greater security and improved aesthetics.

## READER COLOUR:



## TECHNICAL CHARACTERISTICS:

- To be used in combination with XS4 2.0 controllers (CU42xxx) or SALTO KS controllers (CU41xxx).
- Connection to the door controller: 4 wires.
- Designed to work with an online SVN access control platform, or with a stand-alone system.
- Maximum distance between the door controller and the wall reader 400m<sup>1</sup> using a twisted pair cable.
- Includes tamper to monitor if the wall reader has been opened.
- Reading distance from 35 to 50mm depending on the RFID technology.

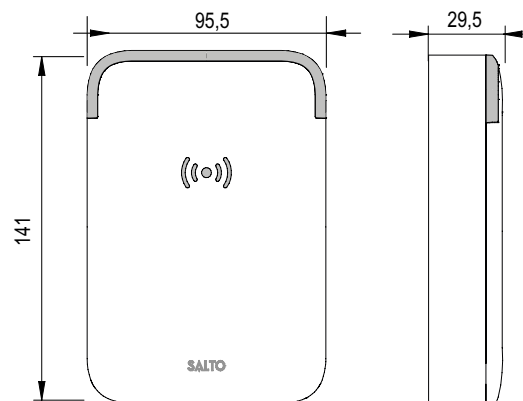
## PLATFORMS:



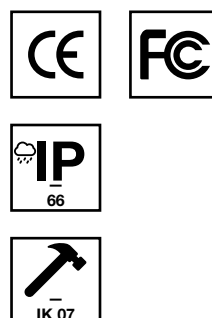
## ID TECHNOLOGIES :

- MIFARE® (DESFire EV1, Plus, Ultralight C, Classic - ISO/IEC 14443).
- Bluetooth SMART (BLE).
- NFC.
- HID iCLASS®.

## TECHNICAL DRAWING:



## CERTIFICATIONS:



<sup>1</sup> Depending on the cable

# XS4 Wall Reader 2.0

XS4 WRDB0A\_K | ANSI WR 2.0 WITH KEYPAD

The SALTO XS4 Wall Reader 2.0 with keypad incorporates the cutting-edge design standard of the XS4 2.0 product range in this technological powerhouse. This product allows for the additional use of a Personal Identification Number (PIN) keypad option, increasing the security by using a double authentication and more enhanced opening modes.

This wall reader has been specially designed to fit ANSI standard electric boxes to make the installation easier.



## FEATURES:

- Modern aesthetic design with green/red and blue clear LED colour optical signal.
- Rectangular shape with rounded corners.
- Compatible with standard ANSI electric boxes.
- Fully integrated with the SALTO XS4 platform.
- Virtual network capable through SALTO SVN data-on-card technology.
- Permits additional opening modes and user authentication through a user PIN.
- Keys are illuminated for better visibility (intelligent lighting).
- Acoustic and optical signalling, dual colour green/red to indicate access authorisation.
- Blue light indicates that the user key update is in progress through SALTO Virtual Network technology.
- Available for surface mounting.
- Concealed fixing screws for greater security and improved aesthetics.

## OPENING MODES:

- Opening through key card.
- Opening through key card plus personal PIN.
- Opening through door code.

## READER COLOUR:



## TECHNICAL CHARACTERISTICS:

- To be used in combination with XS4 2.0 controllers (CU42xxx)
- Connection to the door controller: 4 wires.
- Designed to work with an online SVN access control platform, or with a stand-alone system.
- Maximum distance between the door controller and the wall reader 400m<sup>1</sup> using a twisted pair cable.
- Includes tamper to monitor if the wall reader has been opened.
- Reading distance from 35 to 50mm depending on the RFID technology.

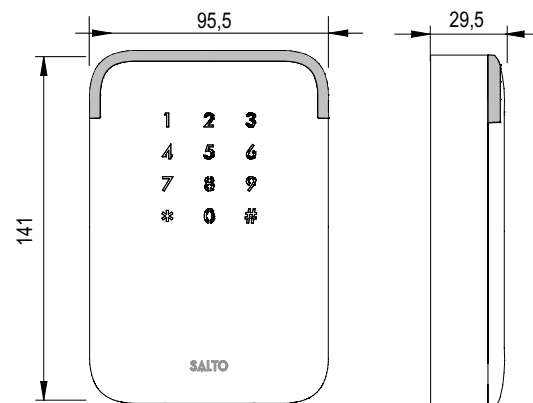
## PLATFORMS:



## ID TECHNOLOGIES :

- MIFARE® (DESFire EV1, Plus, Ultralight C, Classic - ISO/IEC 14443).
- Bluetooth SMART (BLE).
- NFC.
- HID iCLASS®.

## TECHNICAL DRAWING:



## CERTIFICATIONS:



<sup>1</sup> Depending on the cable

# XS4 Modular WR 2.0

XS4 WRMB0E | MODULAR WALL READER 2.0

The SALTO XS4 Modular Wall Reader 2.0, in combination with the SALTO XS4 2.0 Controller, facilitates the integration of the wall reader with almost any SALTO interface, such as SALTO ProAccess SPACE to provide your facility with a complete security solution for any kind of installations, even from adverse and harsh environments thanks to the ability to install it in combination with the antivandalic frame.



## FEATURES:

- Robust square reader design with green/red and blue LED signal.
- Compatible with standard European electric boxes using the standard bases.
- Fully integrated with the SALTO XS4 platform.
- Virtual network capable through SALTO Virtual Network technology.
- Acoustic and optical signalling, dual colour green/red to indicate access authorisation.
- Blue light indicates that the user key update is in progress through SALTO Virtual Network technology.
- For flush or surface mounting depending on the base (base sold separately).
- Concealed fixing screw for greater security and improved aesthetics.

## READER COLOUR:



## TECHNICAL CHARACTERISTICS:

- To be used in combination with XS4 2.0 controllers.
- Connection to the door controller: 4 wires.
- Designed to work with an online SVN access control platform, or with a stand-alone system.
- Maximum distance between the door controller and the wall reader 400m<sup>1</sup> using a twisted pair cable.
- Includes tamper to monitor if the wall reader has been opened.
- Reading distance from 35 to 50mm depending on the RFID technology.

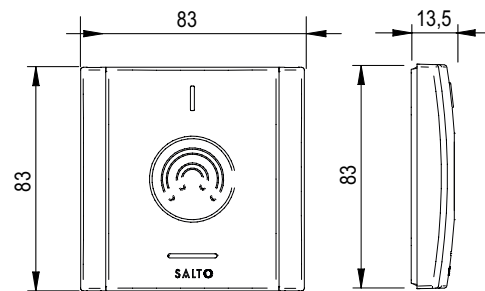
## PLATFORMS:



## ID TECHNOLOGIES :

- MIFARE® (DESFire EV1, Plus, Ultralight C, Classic - ISO/IEC 14443).
- Bluetooth SMART (BLE).
- NFC.
- HID iCLASS®.

## TECHNICAL DRAWING:



## CERTIFICATIONS:



<sup>1</sup> Depending on the cable



# XS4 Modular WR

## XS4 WRMX | MODULAR WALL READER

The XS4 Original Modular wall reader offers a broad range of 13,56Mhz RFID cards of the mainstream contactless smart key card application technologies on the market. It reads encrypted data from the carriers and then communicates it to the door controllers.



### FEATURES:

- Robust square reader design with green/red and blue LED signal.
- Compatible with standard European electric boxes using the standard bases.
- Fully integrated with the SALTO XS4 platform.
- Virtual network capable through SALTO Virtual Network technology.
- Acoustic and optical signalling, dual colour green/red to indicate access authorisation.
- Available in silver finish.
- For flush or surface mounting depending on the base (base sold separately).
- Concealed fixing screw for greater security and improved aesthetics.
- Optional keypad features in combination with WRMKP.
- For an enhanced robustness it can be combined with the antivandalic frame WRMFWAV.

### READER COLOUR:



### TECHNICAL CHARACTERISTICS:

- To be used in combination with XS4 Original controllers (CU50xx).
- Connection to the door controller: 5 wires.
- Designed to work with an online SVN access control platform, or with a stand-alone system.
- Maximum distance between the door controller and the wall reader 100m<sup>1</sup> using a twisted pair cable.
- Reading distance from 35 to 50mm depending on the RFID technology.

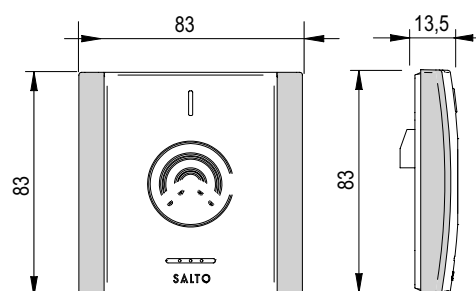
### PLATFORMS:



### ID TECHNOLOGIES :

- MIFARE® (DESFire EV1, Plus, Ultralight C, Classic - ISO/IEC 14443).
- NFC.
- Inside Picopass.
- LEGIC Prime and LEGIC Advant.
- HID iCLASS®.
- i-Button.

### TECHNICAL DRAWING:



### CERTIFICATIONS:



<sup>1</sup> Depending on the cable  
<sup>2</sup> Depending on the model  
\* RFID models

# XS4 Original WR

XS4 WRXXFS | ORIGINAL WALL READER NARROW

The XS4 Original slim wall reader for flush mounting has been specially designed to fit lifts, sliding doors or electronic gate doors that have a narrow profile frame, and where there is insufficient space to install a standard wall reader.

It offers a broad range of 13,56Mhz RFID contactless smart cards for mainstream RFID technologies. All communication between the carrier and the wall reader is encrypted and secured to communicate to the CU5000 door controllers range. They also allow for updating of the carriers via SALTO Virtual Network data-on-card technology.



## FEATURES:

- Compact slim reader module design reader with green/red LED signal.
- Easy to install, designed for surface mounting in both indoor and outdoor non-protected environment use.
- Fully integrated with the SALTO XS4 platform.
- Virtual network capable through SALTO Virtual Network technology.
- Acoustic and optical signalling, dual colour green/red to indicate access authorisation.

## READER COLOUR:



## TECHNICAL CHARACTERISTICS:

- To be used in combination with XS4 Original controllers (CU50xx).
- Designed to work with an online SVN access control platform, or with a stand-alone system.
- Connection to the door controller: 5 wires.
- Maximum distance between the door controller and the wall reader 100m<sup>1</sup> using a twisted pair cable.
- Reading distance from 35 to 50mm depending on the RFID technology.

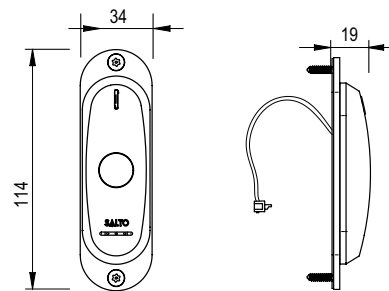
## PLATFORMS:



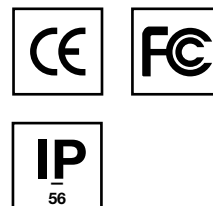
## ID TECHNOLOGIES :

- MIFARE® (DESFire EV1, Plus, Ultralight C, Classic - ISO/IEC 14443).
- NFC.
- Inside Picopass.
- LEGIC Prime and LEGIC Advant.
- HID iCLASS®.
- i-Button.

## TECHNICAL DRAWING:



## CERTIFICATIONS:



<sup>1</sup> Depending on the cable

# XS4 WR Pedestal

XS4 WRMPX | WALL READER PEDESTAL

A parking or gate pedestal designed for the XS4 Modular Wall Reader range is a product developed to allow for the installation of readers and controllers in places where they cannot normally be fitted, such as on door frames, automatic barriers or electrical gates. Suitable for indoor and outdoor use; it can be combined with any model of XS4 Original wall reader and 5000 door controller series.

Made of AISI316L bright polished stainless steel and DDA compliant, the Modular Wall Reader Pedestal is suitable for use in a wide range of environments including hospitals, airports, universities, schools, etc.



## FEATURES:

- Aesthetically pleasing, architecturally designed, functional, high quality, strong and durable.
- DDA compliance optional.
- Fully integrated with the SALTO XS4 platform and SALTO Virtual Network capable in combination with XS4 door controller.
- Acoustic and optical signalling, dual colour green/red to indicate access authorisation.
- Optional with keypad features in combination with WRMKP.
- Can be combined with the antivandalic frame WRMFWAV for enhanced robustness.
- Special base cut out for easier installation and pedestal door panel for easy maintenance (base plate, side walls, reader panel).
- Single height reader pedestal suits general access control requirements and is suitable for many different applications.
- Concealed fixing screw for greater security and improved aesthetics.

## PEDESTAL FINISH:



## TECHNICAL CHARACTERISTICS:

- Made of AISI 316L bright polished stainless steel.
- To be used in combination with XS4 Original controllers (CU50xx).
- Connection to the door controller: 5 wires.
- Designed to work with an online SVN access control platform, or with a stand-alone system.
- Maximum distance between the door controller and the wall reader 100m<sup>1</sup> using a twisted pair cable.
- Reading distance from 35 to 50mm depending on the RFID technology.

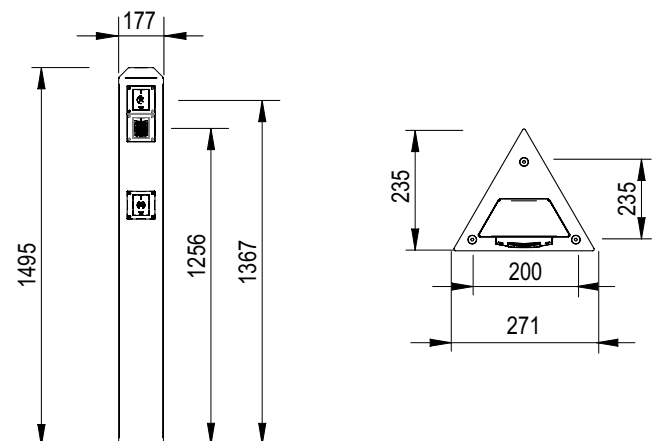
## PLATFORMS:



## ID TECHNOLOGIES :

- MIFARE® (DESFire EV1, Plus, Ultralight C, Classic - ISO/IEC 14443).
- NFC.
- Inside Picopass.
- LEGIC Prime and LEGIC Advant.
- HID iCLASS®.
- i-Button.

## TECHNICAL DRAWING:



## CERTIFICATIONS:



<sup>1</sup> Depending on the cable

# Wall Reader Accessories

## XS4 WRMFH | ANTIVANDALIC FRAME FOR MODULAR WALL READER

This accessory has been designed to protect the WRM wall reader from adverse and harsh environments.



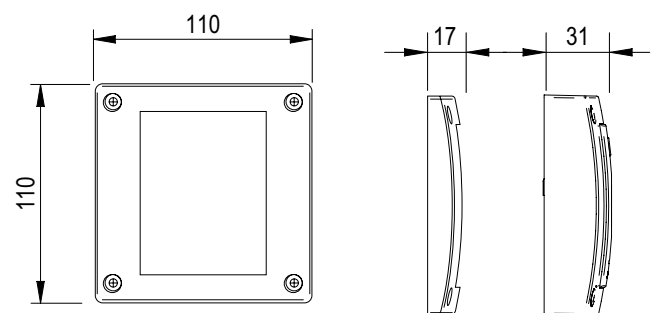
### FEATURES:

- Robust, aesthetic design.
- Fastened with torx 10 anti tamper screws.
- Includes a special mounting base with a rubber gasket for outdoor use.
- Available in satin chrome finish.
- For surface mounting WRMFHAV.
- For flush mounting WRMFWAV.

### TECHNICAL CHARACTERISTICS:

- Made of die cast zinc alloy with satin chrome finishing.
- To be used in combination with XS4 Original Modular wall reader (WRMxxx) and Modular wall reader XS4 2.0 (WRMBxxx).

### TECHNICAL DRAWING:



## XS4 WRMKP | KEYPAD MODULAR WALL READER

Compatible with SALTO modular wall readers, the WRMKP keypad allows for the additional use of a Personal Identification Number (PIN) key pad option. It should be mounted on one of the SALTO WRM double mount bases.



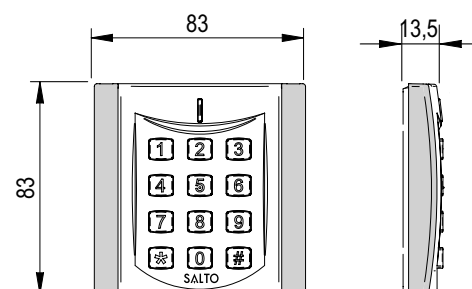
### FEATURES:

- PIN code authentication needed with ID carrier to gain access and obtain card update.
- Door code only option for non-key holders.
- PIN needed for SVN key update.
- Timed PIN option for ID carriers only operation and ID carrier plus PIN use.

### TECHNICAL CHARACTERISTICS:

- To be used in combination with XS4 Original Modular wall readers (WRMxxx).
- Body made of die cast zinc alloy with satin chrome finish.
- Keys made of AISI 316L stainless steel.
- Connection to the wall reader with a built in cable.
- Current required 5V supplied by the Modular Wall Reader.

### TECHNICAL DRAWING:



# Wall Reader Accessories

## XS4 WRMB | MODULAR WALL READER BASES

SALTO offers several base options to fit modular wall readers. Depending on your needs, you can choose a single or double base to fit a wall reader and a keypad.

Both bases include an internal gasket to prevent water ingress and have several fixing points to allow for adjustment during installation.

---

### FEATURES:

- Compatible with standard European electric boxes using the standard bases.
- Available in different finishes depending on the WRM.
- For surface mounting WRMFHAV.
- For flush mounting WRMFVAV.

---

### MODELS:

- Single and double bases for flush mounting



WRMBL1



WRMBL2

- Single and double bases for surface mounting



WRMBH1



WRMBH2

---

### BASE COLOUR:





## Vehicle Access

### **LONG DISTANCE READER**

LDR2 / LDR1

Converter

## VEHICLE ACCESS | LONG DISTANCE READER

The fast and reliable long range identification solution automatically identifies user's flow in any weather conditions without having to present the card on the reader. The product is suitable for car parks, traffic management, free flowing vehicle access control and convenience in general as the

carrier is read at a certain distance (refer to the models specifications for more information). The LDR is fully integrated into the SALTO ProAccess SPACE system through the XS4 online controller.

---

## Technical Data

### CURRENT REQUIRED:

- 12...28 +20 % VDC / max. 1 A

### FREQUENCIES:

- MHz 865 – 868 (EU)
- MHz 902 – 928 (US)
- MHz 916 – 921 (JP 4W E.I.R.P.)
- MHz 916 – 924 (JP 0.5W E.I.R.P.)

### TRANSPONDER PROTOCOLS:

ISO18000-6 C (EPC Class1 Gen2)

### ENVIRONMENTAL CONDITIONS:

- External lock: -20° / 60°.
- IP65 suitable for outside use.

### ANTENNAS WITH BEAM WIDTH/POLARIZATION:

- 90° circular
- Transmit Power: E.R.P. max. 1 W (configurable)

### CONNECTION WITH THE DOOR CONTROLLER:

- 4 pin connector using AWG24 twisted pair or AWG18 cable connection.

### MAXIMUM DISTANCE BETWEEN THE DOOR CONTROLLER AND THE WALL READER:

- Between 5m and 100m depending on the cable and the Voltage.

---

## Access Control Features

### USERS & DOORS:

- Maximum number of users per door: 4 million.
- Maximum number of doors per system: 65,000.
- Access levels: unlimited.

### MANAGEMENT SOFTWARE:

- SALTO ProAccess SPACE.

### ID TECHNOLOGIES:

- SALTO UHF 8 bytes credential.

---

## Main Features

- 2 readers models:
  - Reading distance up to 7m.
  - Reading distance up to 3m.
- UHF passive technology.
- Dual cards available:
  - UHF+DESFire 8k
  - UHF+Mifare 4k
- 8 bytes printed code.
- UHF Windshield stickers.
- UHF On metal stickers.
- Wiegand connection to the CU42E0 (online version only).
- Unique user is managed in ProAccess SPACE (RFID/UHF)
- Suitable for vehicles access.
- Suitable for outdoor use (IP65).
- 12VDC-24VDC (power supply not included).

# Long-distance Reader

WRLUD24BXX - WRLUD14BXX | VEHICLE ACCESS

Extremely robust die-cast aluminium housing and compact design with integrated antenna. The WRLUD24Bxx boasts a range of 7m and the WRLUD14Bxx covers 3m. It is a complementary product to the SALTO XS4 online Controller for a real time identification on the go.



## FEATURES:

- Modern aesthetic and robust design with 3 LEDs green/red and blue.
- Can be mounted on pipes or surface mounting.
- Compatible with SALTO XS4 Controller online version (CU42E0 only).
- Reading distance between 1 and 7 meters depending on the model.

## MODELS:



Range of 3 m  
WRLUD14Bxx

Range of 7 m  
WRLUD24Bxx

## TECHNICAL CHARACTERISTICS:

- Dimensions: 200mm x 175mm x 60mm (W x H x D)
- Weight: kg 1.2 kg.
- Housing Material: ABS/PC, Al (powder-coated)
- Transmit Power: E.R.P. max. 1 W (configurable)
- Transponder Protocols: ISO18000-6 C (EPC Class1 Gen2)
- Interface: RS485 (deBus Protocol)
- Electrical Connection: M12-Connector with 4 Pins

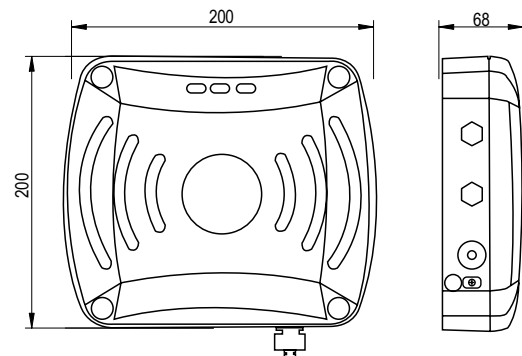
## PLATFORMS:

SVN

## ID TECHNOLOGIES:

- SALTO UHF 8 bytes credential.

## TECHNICAL DRAWING:



## CERTIFICATIONS:



- UL 294 (pending)



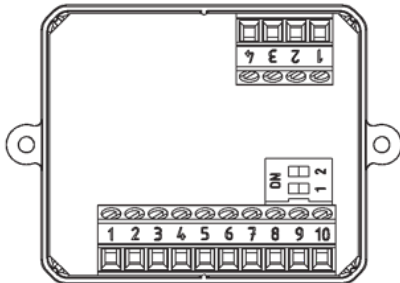
# Converter

## WRLUD-SIC1 | VEHICLE ACCESS

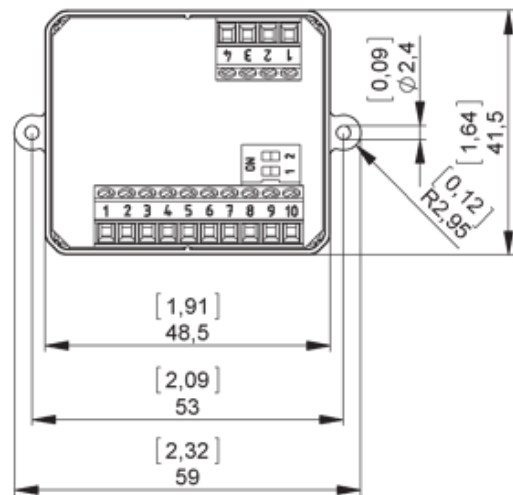
The WRLUD-SIC1 Wiegand converter is the link between the WRLUD and the CU42E0. It manages the real time communications assuring a perfect connection to the SALTO ProAccess SPACE software.

### TECHNICAL CHARACTERISTICS:

- Dimensions: 59mm x 41,5mm x 14mm (W x H x D)
- Material: ASA
- Operating temperature: -20 ... 60 (-4 ... 140), non-condensing
- Voltage supply: 12 ... 24 V/DC, 40mA
- Electrical protection: Transient and reverse polarity protection
- Interface: Wiegand



### TECHNICAL DRAWING:





## XS4 Control Units (CUs)

### XS4 2.0 CONTROL UNITS

XS4 2.0 CU SVN Online

XS4 2.0 CU Auxiliary

XS4 2.0 Expansion Board

### XS4 MODULAR CONTROL UNITS

XS4 Modular CU SVN Online

XS4 Modular CU Stand-Alone

XS4 Modular Extension Board

XS4 Modular Integration Boards

## XS4 CONTROL UNITS | CONTROLLERS

SALTO offers a wide range of door controllers that enable the expansion of SALTO access control benefits to all those doors where a stand-alone electronic escutcheon cannot be fitted.

---

## Technical Data

### CURRENT REQUIRED:

- 12V / 500mA adaptor included.

### NETWORK CONNECTION

- IP door controller Ethernet.

### ENVIRONMENTAL CONDITIONS:

- -20°C to 80°C.<sup>1</sup>

### RELAY OUTPUT:

- Maximum current of the contact to relay 16A at 250VAC with resistive loads and 8A at 250VAC with inductive loads.<sup>1</sup>

---

## Main Features

- Offline or online door controllers depending on the model.
- Virtual Network capable through SALTO Virtual Network technology.
- User on card audit trailing capability via the SALTO Virtual Network (SVN).
- All communications between the wall reader and the door controller and between the door controller and the PC are secured and encrypted for a higher security level.
- No additional control panels are required.
- Alarm input.<sup>1</sup>
- Compatible with SALTO relay extension board, controlling up to 128 relay outputs suitable for elevators, etc.
- Set up done with Portable Programming Device (PPD) or directly from the PC.\*
- Update made with Portable Programming Device (PPD) or SVN.
- Antipassback mode available depending on the model.
- Firmware upgrade by means of PPD or directly from the PC on the online units.
- User on card audit trailing via SALTO Virtual Network in the case of offline units.

The door controllers read encrypted data contained on the carrier and allow for updating of the carrier via SALTO Virtual Network technology, making it possible to cancel lost or stolen cards remotely.

---

## Access Control Features

### USERS & DOORS:

- Maximum number of users per door: 4 million.
- Maximum number of doors per system: 65,000.
- Access levels: unlimited.

### CALENDARS & TIME ZONES:

- Calendars in system: 256
- Timetables: 1024
- Time periods: 1024

### EVENTS:

- Maximum events on lock audit: 5,000.
- Non volatile memory (memory is not deleted, even if power fails).

### MANAGEMENT SOFTWARE:

- SALTO ProAccess SPACE.

---

## Lock Modes

### STANDARD:

Locked at all times.

### OFFICE MODE:

Free passage.

### TIMED OFFICE:

Automatic locking at end time.

### AUTOMATIC OPENING:

8 pairs of "hands free" timed lock and unlocks per day with holidays.

### TOGGLE:

Present card to lock, present card to unlock.

### TIMED TOGGLE:

Present card to lock, present card to unlock depending on schedules

<sup>1</sup> Depending on the model

# XS4 2.0 CU SVN online

XS4 CU42E0 | ETHERNET CONNECTED CU

SALTO's XS4 2.0 control unit makes it even easier to bring superior access control to your facility, thanks to the ability to control and manage multiple doors through one Ethernet connection and one IP address.

This means that extending SALTO access control benefits to all those doors where a stand-alone electronic escutcheon cannot be fitted (electric strikes, magnets, barriers, elevators, etc.) is even easier and more cost-effective.



## FEATURES:

- Online TCP/IP networked based door control unit.
- Virtual network capable through SALTO Virtual Network data-on-card technology.
- Two wall reader connections that can be configured as 2 different doors or one door reader in and reader out locking.
- Can control up to 4 auxiliary XS4 controllers and manage up to 10 doors.
- Antipassback mode.
- Door monitoring and tamper monitoring via contacts input (intrusion alarm and door left opened alarm.)
- Compatible with SALTO relay expansion board, (CU4EB8) controlling up to 128 relay outputs.
- Compatible with the SALTO ProAccess SPACE alarm engine event module to manage trigger events through inputs or audit events.

## FINISHES:



Translucent housing  
CU42E0T



Grey housing  
CU42E0G

## TECHNICAL CHARACTERISTICS:

- Connection to the network through Ethernet connection 100BASET.
- 4 relay outputs.
- 6 inputs to connect to:
  - Door detector, request to exit switch (RTE), office switch, roller blind control, intrusion inhibition.
- 2 tamper inputs (input, switch).
- The maximum cable length between the door controller and the wall reader is up to 400 meters.<sup>1</sup>
- Connection to the wall reader using 4 wire connection, twisted pair.
- Power consumption: 12V DC 400mA (without XS4 2.0 readers), supplied by an adaptor. POE version to be released.

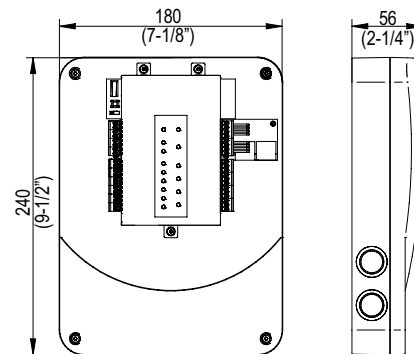
## PLATFORMS:



## ID TECHNOLOGIES:

- To be used with WRDB and WRMB wall reader range.
- MIFARE® (DESFire EV1, Plus, Ultralight C, Classic - ISO/IEC 14443).
- Bluetooth SMART (BLE).
- NFC.

## TECHNICAL DRAWING:



## CERTIFICATIONS:



<sup>1</sup> Depending on the cable

# XS4 2.0 CU auxiliary

## XS4 CU4200 | AUXILIARY CONTROL UNIT

SALTO's latest control unit makes it even easier to bring superior access control to your facility, thanks to the ability to control and manage multiple doors through one Ethernet connection and one IP address.

The new SALTO XS4 2.0 Controller CU4200 is an auxiliary controller that does not require an IP address and can be set up as an auxiliary controller connected to an XS4 online controller (CU42E0), or can work as an offline controller, reducing the costs of installation and keeping all the advantages of the SALTO Data-on-card technology.



### FEATURES:

- Online controller if connected through BUS485 to CU42E0.
- Offline controller if not connected to the network.
- Two wall reader connections that can be configured as 2 different doors if it is connected to CU42E0, or one door reader in and reader out locking, if set up as offline and programmed via PPD.
- Antipassback mode available by connecting 2 wall readers and setting up as one door.
- Door monitoring and tamper monitoring via contacts input (intrusion alarm and door left opened alarm).
- Access plan update via SALTO Virtual Network capabilities. User access plan and blacklist (list of users card cancelled) is transmitted via the data-on-card technology.

### FINISHES:



Translucent housing  
CU4200T



Grey housing  
CU4200G

### TECHNICAL CHARACTERISTICS:

- Connection to the Ethernet controller through BUS485.
- 4 relay outputs.
- 6 inputs to connect to:
  - Door detector, request to exit switch (RTE), office switch.
- 2 different tampers:
  - One tamper input.
  - One tamper switch.
- The maximum cable length between the door controller and the wall reader is up to 400 meters.<sup>1</sup>
- Connection to the wall reader using 4 wire connection, twisted pair.
- Power consumption: 12V DC 400mA (without XS4 2.0 readers), supplied by an adaptor. POE version to be released.

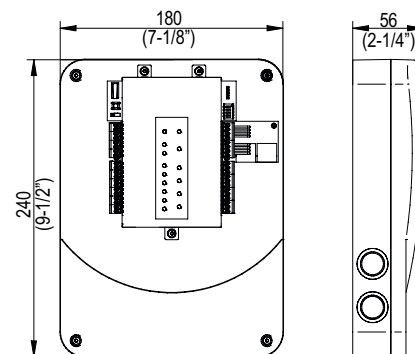
### PLATFORMS:



### ID TECHNOLOGIES:

- To be used with WRDB and WRMB wall reader range.
- MIFARE® (DESFire EV1, Plus, Ultralight C, Classic - ISO/IEC 14443).
- Bluetooth SMART (BLE).
- NFC.

### TECHNICAL DRAWING:



### CERTIFICATIONS:



<sup>1</sup> Depending on the cable

# XS4 2.0 Expansion board

## XS4 CU4EB8 | EXPANSION BOARD

The CU42EB8 provides multi-relay switchable output management to external systems such as elevator floor level access, multi-shutter and barrier systems, machine switching and more.



### FEATURES:

- Works with the CU42xx.
- Input and output board managed by the controller.
- Software configuration.
- Up to 16 connected units.
- Additional control output relays.
- Compatible with the SALTO ProAccess SPACE alarm event engine module to manage trigger events through inputs when connected to an online network via BUS485.

### FINISHES:



Translucent housing  
CU4EB8T



Grey housing  
CU4EB8G

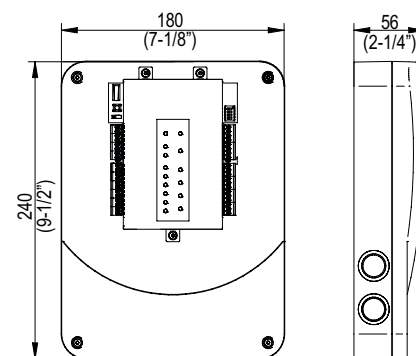
### TECHNICAL CHARACTERISTICS:

- Connection to the controller through BUS485.
- 8 relay outputs.
- 4 relay inputs.
- 2 tamper inputs (input, switch).
- The maximum cable length between the I/O board and the controller is up to 400 meters.<sup>1</sup>
- Connection to the controller using 2 wire connection, twisted pair.
- Power consumption: 12V DC 400mA, supplied by a power adaptor.

### PLATFORMS:



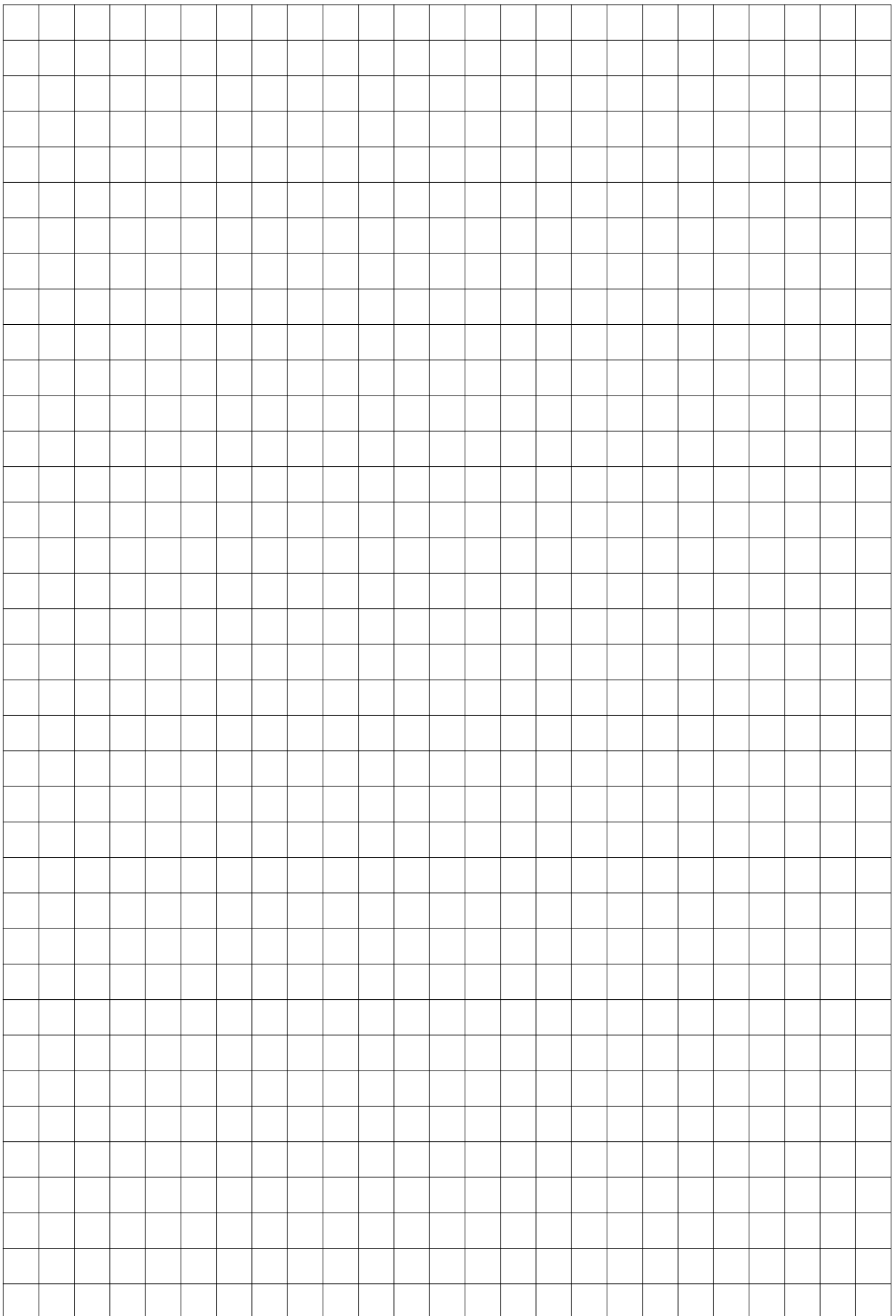
### TECHNICAL DRAWING:



### CERTIFICATIONS:



<sup>1</sup> Depending on the cable



# XS4 CU SVN online

## XS4 CU50ENSVN | ONLINE SVN CONTROL UNIT

The SALTO XS4 CU50ENSVN is an online door controller that can have one or two wall readers connected, has two control relay outputs and has SALTO Virtual Network (SVN) capabilities. Cards are automatically updated with the latest changes in the access plan. It records the user audit into the PC and provides advanced information on battery status.

It also continually updates the cancelled ID carrier blacklist simply by using the cards on the network, distributing the latest access information throughout the building via the offline stand-alone locks. Access control changes can be carried out on the SALTO software and these are then actioned at the control units in real time. It provides full online features via the networked live link such as door monitoring status, remotely controlling door opening and Roll Call.



### FEATURES:

- Online IP door controller 10BASET.
- Two wall reader connections, read in – read out locking.
- Antipassback function.
- Two relay output.
- Compatible with SALTO relay extension board (EB5008) controlling up to 128 relay outputs suitable for elevators, etc.
- Can be used with the SALTO WRMKP for dual identification (Carrier + PIN).
- Request to exit (RTE) switch input.
- Door monitoring and tamper monitoring via contacts input.
- Door state input.

### SALTO VIRTUAL NETWORK CAPABILITIES:

- Add or delete access privileges to the ID carriers.
- Validation of key expiration dates on any SVN on-line wall reader (also when being temporary offline).
- Cards blacklisting from the system.
- On card audit-trailing to track staff or visitor movement.
- Lock specific battery power data is registered on any card using the lock – staff or visitor – and transferred back to the PC control software via any update reader just by using the system.

### ONLINE FEATURES:

- Same online features as CU50EN.

### TECHNICAL CHARACTERISTICS :

- 2 relay outputs.
- Door detector, request to exit switch (RTE), office switch.
- One tamper switch.
- The maximum cable length between the door controller and the wall reader is up to 100 meters.
- Connection to the wall reader using a 5 wire connection, twisted pair.
- Power consumption: 12V DC 400mA (without XS4 2.0 readers), supplied by an adaptor.

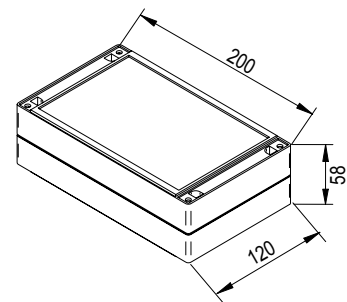
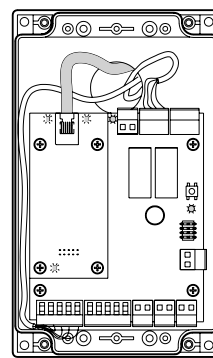
### PLATFORMS:



### ID TECHNOLOGIES :

- To be used with all SALTO wall readers (excepted WRM1000, WRDB or WRMB ranges).
- MIFARE® (DESFire EV1, Plus, Ultralight C, Classic - ISO/IEC 14443).
- NFC.
- Inside Picopass.
- LEGIC Prime and LEGIC Advant.
- HID iCLASS®.
- i-Button.

### TECHNICAL DRAWING:



### CERTIFICATIONS:

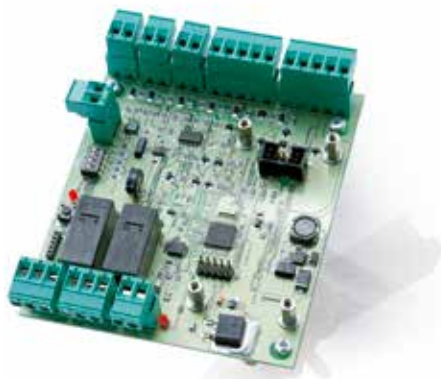




# XS4 CU stand-alone

XS4 CU5000 | OFFLINE STAND-ALONE CONTROL UNIT

The SALTO CU5000 is a single door offline door controller that can have one or two wall readers connected and has two control relay outputs.



## FEATURES:

- Offline door controller.
- Two wall reader connections, read in – read out.
- Antipassback function.
- Two relay output.
- Upgradable to CU50EN or CU50ENSVN.
- Compatible with SALTO relay extension board (EB5008) controlling up to 128 relay outputs suitable for elevators, etc.
- Can be used with the SALTO WRMKP for dual identification (Carrier + PIN).
- Door and tamper monitoring.
- Door status input.

## TECHNICAL CHARACTERISTICS:

- 2 relay outputs.
- Door detector, request to exit switch (RTE), office switch.
- One tamper switch.
- The maximum cable length between the door controller and the wall reader is up to 100 meters.
- Connection to the wall reader using a 5 wire connection, twisted pair.
- Power consumption: 12V DC 400mA (without SALTO readers), supplied by a power adaptor.

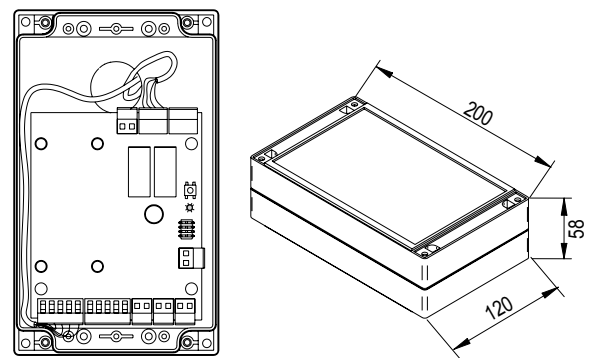
## PLATFORMS:



## ID TECHNOLOGIES :

- To be used with all SALTO wall readers (excepted WRM1000, WRDB or WRMB ranges).
- MIFARE® (DESFire EV1, Plus, Ultralight C, Classic - ISO/IEC 14443).
- NFC.
- Inside Picopass.
- LEGIC Prime and LEGIC Advant.
- HID iCLASS®.
- i-Button.

## TECHNICAL DRAWING:



## CERTIFICATIONS:



# XS4 extension board

EB5008 | RELAY EXTENSION BOARD

The EB5008 provides the option to manage multi-relay switchable output systems such as elevator floor level access, multi-shutter and barrier systems, machine switching and more.



## FEATURES:

- Up to 16 EB5008's can be connected in series to 1 door controller, allowing management of up to 128 outputs.
- Each output has user access (triggering) rights controlled from the software.
- Compatible with CU5000, CU50EN or CU50ENSVN door controllers.

## TECHNICAL CHARACTERISTICS:

- Connection to the controller through BUS485.
- Set up through dip switch.
- 8 relay outputs.
- Connection to the controller using a 2 wire connection, twisted pair.
- Current requires 12V/500mA. Power adaptor included.
- Number of relays each board: 8 (Max. of 16 EB5008 board in series, totalling 128 relay outputs).

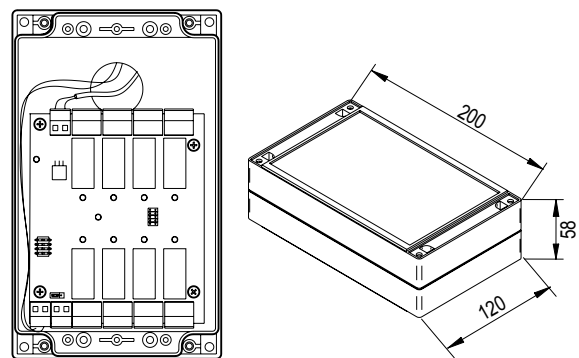
## PLATFORMS:



## ID TECHNOLOGIES :

- To be used with all SALTO wall readers (excepted WRM1000, WRDB or WRMB ranges).MIFARE® (DESFire EV1, Plus, Ultralight C, Classic - ISO/IEC 14443).
- NFC.
- Inside Picopass.
- LEGIC Prime and LEGIC Advant.
- HID iCLASS®.
- i-Button.

## TECHNICAL DRAWING:



## CERTIFICATIONS:



# XS4 integration board

## XS4 CUADAP | SALTO CONTROL UNIT ADAPTOR

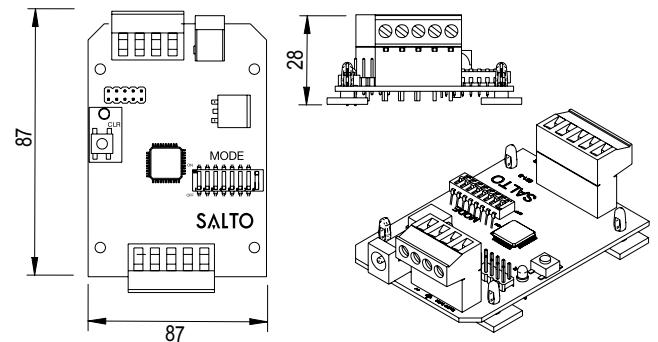
The SALTO Control Unit Adaptor opens the integration with third party devices such as time and attendance systems. The Control Unit Adaptor is connected to the CU50ENSVN, sending to a third party device the data information that is requested. This means that you can access a door with all the convenience of SALTO and control your staff attendance at the same time. The interface with the external device can be RS232, OMRON and WIEGAND.



### TECHNICAL CHARACTERISTICS:

- To be used with CU5000, CU50EN or CU50ENSVN.
- Configuration by dip switches to control data to be read and the interface with the external device.
- Current required: 12V.
- Connection to the CU: UTP CAT5 cable.
- Connection to the external device: 4 pin block terminal.
- Data read by the CUADAPT: ROM CODE, TRACKS ON KEY, WIEGAND CODE.

### TECHNICAL DRAWING:



# XS4 integration board

## XS4 WRADAP | SALTO WALL READER ADAPTOR

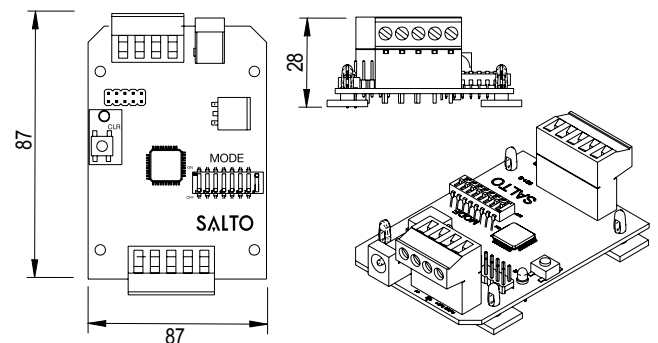
The SALTO Wall Reader Adaptor opens the integration to third party devices such as time and attendance, POS, etc. The Wall Reader Adaptor is designed to read data from the RW carriers and send it to an external device. The interface with the external device can be RS232, OMRON and WIEGAND.

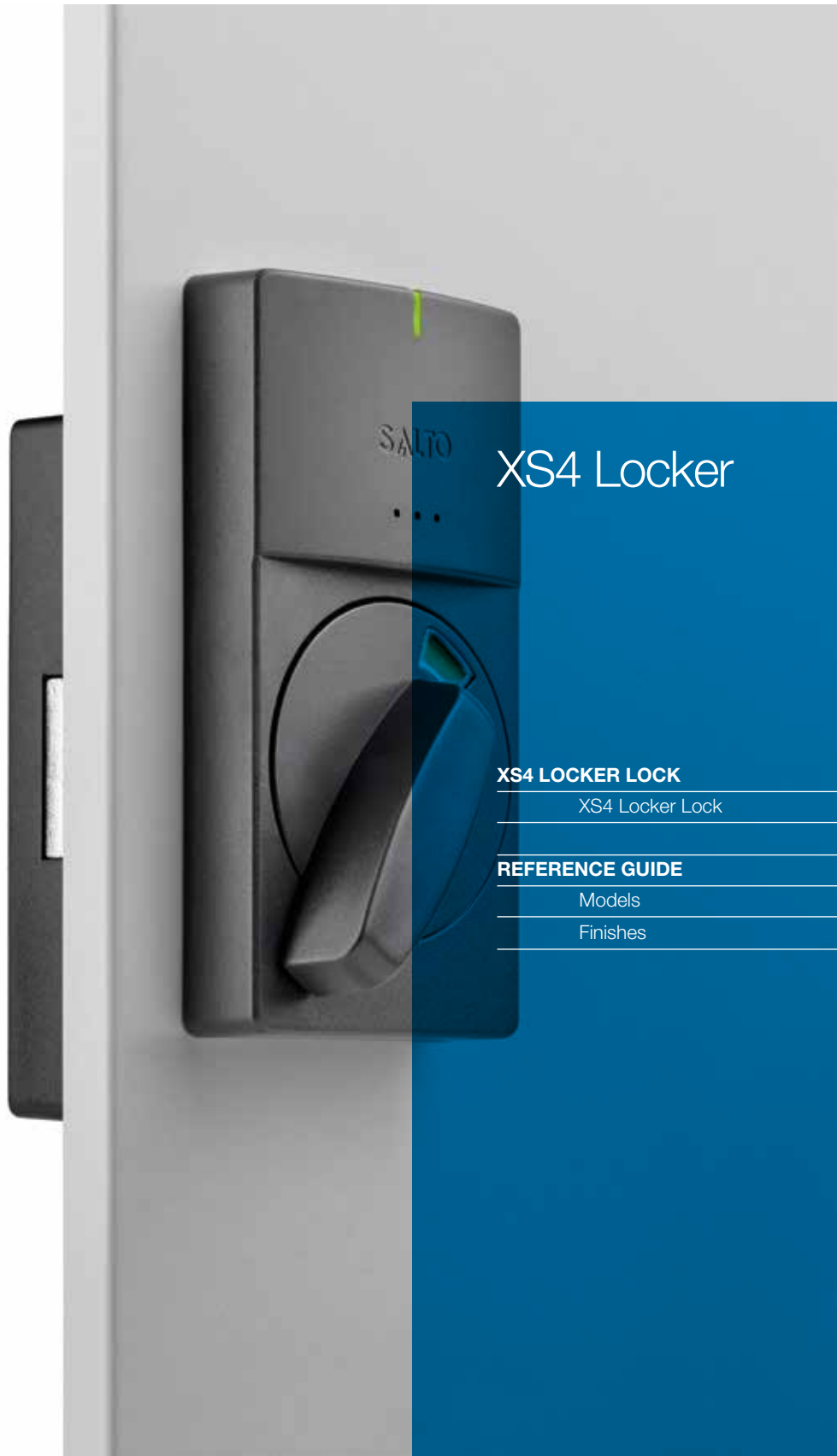


### TECHNICAL CHARACTERISTICS:

- Configuration by dip switches to control data to be read and the interface with the external device.
- Voltage required: 12V.
- Connection to the reader: UTP CAT5 cable.
- Connection to the external device: 4 pin block terminal.
- Data read by the WRADAPT: ROM CODE, TRACKS ON KEY, WIEGAND CODE.
- To be used with all SALTO wall readers (excepted WRM1000, WRDB or WRMB ranges).

### TECHNICAL DRAWING:





## XS4 Locker

### **XS4 LOCKER LOCK**

XS4 Locker Lock

### **REFERENCE GUIDE**

Models

Finishes

## XS4 LOCKER | FOR LOCKERS AND CABINETS

The XS4 Locker Lock provides high level security to a wide range of lockers, cupboards, cabinets, boxes, etc. by integrating it into the SALTO wire-free electronic access solution. It features an ergonomically designed twist operated locking

handle that makes for easy use, even with wet hands. The battery pack, electronic components and locking mechanism are all located on the inside of the door, safe from potential vandalism or sabotage.

---

## Technical Data

### POWER SOURCE:

- 3 alkaline batteries (LR03 AAA 1,5V).  
Optional 3 Lithium batteries (FR03 - AAA 1,5V - see environmental conditions).

### NUMBER OF OPENINGS:

- Up to 40,000 openings, depending on the RFID technology.

- Low battery power indication monitored through the SALTO Virtual Network (SVN).
- The last approx. 1,000 operations are signalled.

### ENVIRONMENTAL CONDITIONS:

- - 20°C to +70°C; without condensation (according to EN 60529).
- Inner temperature range: - 0°C to +50°C (-20° / 70° with Lithium batteries; without condensation).
- IP56 rated for protection against ingress of water and dust.

---

## Main Features

- Fully integrated with the SALTO Hospitality platform.
- Easy to maintain: Battery change is all that's needed.
- Simple offline installation is possible on many types of small and thin locker doors.
- Door thickness: adaptable on site.
- Outer thumbturn with red/green indicator for availability of the locker, electronically managed release.
- Comes with BioCote® antimicrobial technology.
- Lock with large security deadbolt is built into the locker.
- Ideal for retrofit applications as outside locker lock reader rotates for different door handing and styles.
- No handing.
- Battery pack, electronic components and locking mechanism are all located on the inside of the door, safe from potential vandalism or sabotage.
- All communication between the carrier and the electronic lock is encrypted and secured.
- Low battery status information is obtained from carriers.
- Full access control rights programmed via software.

---

## Access Control Features

### USERS & LOCKERS:

- Maximum number of users per locker: 4 million.
- Maximum number of lockers per system: 65,000.
- Access levels: unlimited.

### CALENDARS & TIME ZONES:

- Calendars in system: 256
- Timetables: 1024
- Time periods: 1024

### EVENTS:

- Maximum events on locker audit: 1,000.
- Non volatile memory (memory is not deleted, even if power fails).

### MANAGEMENT SOFTWARE:

- SALTO ProAccess SPACE.

---

## Operation Modes

### FIXED LOCKER ASSIGNMENT:

A specific user ID carrier operates a specific locker lock.

### FREE LOCKER ASSIGNMENT:

Any user ID carrier subsequently used to unlock a locker takes control.

### FAMILY OPTION:

Multiple user ID carriers to operate a single locker.

---

## Security Class

### EN 60529

According to EN 60529 for electronic handle sets including locker lock reader and lock case.

# XS4 Locker Lock

XS4 Lx0 | LOCKER LOCK

The SALTO XS4 Locker is a locker lock designed to bring all the advantages of an electronic access control for lockers and cabinets. The XS4 Locker is perfect for controlling access to lockers, cupboards, cabinets, boxes and show cases, where access control and full audit trailing are required.



## FEATURES:

- Fully integrated with the SALTO XS4 platform.
- Easy to maintain: Battery change is all that's needed.
- Outer thumbturn with red/green indicator for availability of the locker; electronically managed release.
- User on card audit trailing capability for audit trailing via the SALTO Virtual Network (SVN).
- All communication between the carrier and the electronic lock is encrypted and secured.
- Low battery status information is obtained from carriers.
- Full access control rights programmed via software.
- Comes with BioCote® antimicrobial technology.
- Battery pack, electronic components and locking mechanism are all located on the inside of the door, safe from potential vandalism or sabotage.
- Emergency opening through portable programming device (PPD).

## READER COLOUR:



## TECHNICAL CHARACTERISTICS:

- Simple offline installation is possible on many types of small and thin doors. Door thickness: adaptable on site.
- Inside cover measures: 100mm x 110,5mm x 25mm.
- Outside escutcheon measurements: 54mm x 105mm x 28mm.
- Deadbolt projection: 15mm.
- Lock with large security deadbolt is built into the locker.
- Ideal for retrofit applications as outside locker lock reader rotates for different door handing and styles. No handing.
- No handing selection is needed.

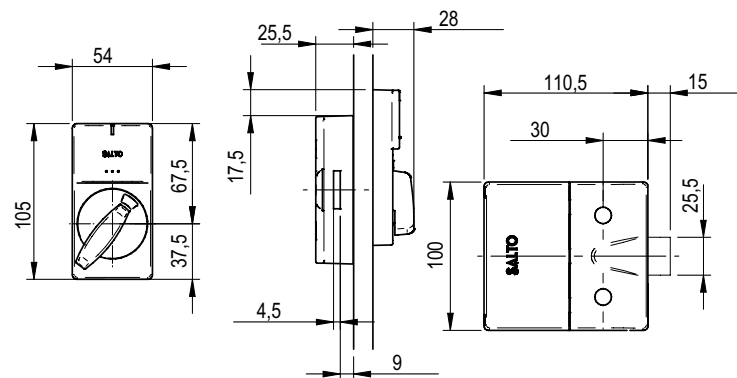
## PLATFORMS:



## ID TECHNOLOGIES :

- MIFARE® (DESFire EV1, Plus, Ultralight C, Classic - ISO/IEC 14443).
- NFC.
- LEGIC Prime and LEGIC Advant.
- HID iCLASS®.

## TECHNICAL DRAWING:



## CERTIFICATIONS:



# Reference guide information

The SALTO XS4 Locker brings the advantages of electronic access control to the locker room. Simple wire-free installation is possible on many types of small and thin doors and in two different cover colours available.

L	90	50	A	20
—	—	—	—	—
PRODUCT TYPE	ID TECHNOLOGY	MODEL	FINISH	DOOR THICKNESS
1	2	3	4	5

## 1 | PRODUCT TYPE

L SALTO XS4 Locker.

## 2 | ID TECHNOLOGY

### RFID

- 8 Contactless LEGIC Advant & Prime.
- 9 Contactless MIFARE DESFire.
- H Contactless HID iCLASS®.

## 3 | MODEL

50 Standard locker lock.

## 4 | FINISH

- A Anthracite reader and anthracite battery pack.
- M White reader and anthracite battery pack.

## 5 | DOOR THICKNESS

20 From 10mm to 20mm.

40 From 30mm to 40mm.

30 From 20mm to 30mm.

50 From 40mm to 50mm.

<sup>1</sup> White is only available for the exterior part.



## XS4 Emergency Exits

### **XS4 ADVANCED EMERGENCY EXIT SOLUTION**

---

SALTO PBE900 Panic Bar

---

SALTO PBA1200 Panic Bar

---

SALTO PBF1100 Panic Bar

### **KITS**

---

SALTO KPBs

---



## XS4 PANIC BARS | EMERGENCY EXIT SOLUTIONS

SALTO Advanced panic bar solutions enable emergency exit doors equipped with panic bars to be controlled with an innovative stand-alone electronic locking system.

---

## Technical Data

### POWER SOURCE:

- 3 alkaline batteries - LR03 - AAA 1,5V.

### NUMBER OF OPENINGS:

- Contactless versions: Up to 40,000 openings.
- Low battery power indication monitored through the SALTO Virtual Network (SVN).
- The last approx. 1,000 operations are signalled.

### ENVIRONMENTAL CONDITIONS:

- External lock: -20° / 60°.

---

## Main Features

- Fully integrated with the SALTO XS4 platform.
- Simple installation by changing handle set, using just two screws.
- System composed of a SALTO XS4 half escutcheon, a Kit Panic Bar (KPB) and the panic bar (can also be an existing one).
- Existing emergency exits can be retrofitted and upgraded into an electronic stand-alone access control system.
- Easy to maintain: Battery change is all that's needed
- Wireless capabilities possible to avoid wiring without sacrificing online real-time capabilities.
- User on card audit trailing capability via the SALTO Virtual Network (SVN).
- All communication between the carrier and the electronic lock is encrypted and secured.
- Low battery status information is obtained from carriers.
- Optical signalling through light LED signal. Dual colour green/red to indicate access authorisation.
- The lock can always be opened from the inside (single action panic feature works in conjunction with the panic bar device).
- Available in 2 different finishes: satin stainless steel and polished stainless steel.
- Firmware upgrade through PPD.

SALTO stand-alone electronic locks can be fitted, in combination with adaptor kits, to more than 40 leading panic bars from the most popular manufacturers, whether you have a mortise panic device or a RIM panic device.

---

## Access Control Features

### USERS & DOORS:

- Maximum number of users per door: 4 million.
- Maximum number of doors per system: 65,000.
- User access levels: Unlimited.

### CALENDARS & TIME ZONES:

- Calendars in system: 256
- Timetables: 1024
- Time periods: 1024

### EVENTS:

- Maximum events on lock audit: 2200.
- Non volatile memory (memory is not deleted, even if power fails).

### MANAGEMENT SOFTWARE:

- SALTO ProAccess SPACE.

### ID TECHNOLOGIES:

- Covering the mainstream RFID technologies.
- Compatible with ISO 14443A, ISO 14443B and ISO 15693 (Vicinity).

---

## Lock Modes

### STANDARD:

Locked at all times.

### OFFICE MODE:

Free passage.

### TIMED OFFICE:

Automatic locking at end time.

### AUTOMATIC OPENING:

8 pairs of "hands free" timed lock and unlocks per day with holidays.

### TOGGLE:

Present card to lock, present card to unlock.

### TIMED TOGGLE:

Present card to lock, present card to unlock depending on schedules.

### AMOK MODE:<sup>1</sup>

Local lockdown of the escutcheon for emergency situations.

<sup>1</sup> Depending on the ID technology

# XS4 EU Panic Bar

XS4 PBE900 | XS4 PANIC BAR PBF900

The SALTO XS4 PBE900 combines the highest safety standards with ease of use. It is EN1125 compliant in combination with SALTO electronic escutcheons, LE7E31 or LE9E11 SALTO mortise locks, and SALTO KPB (Kit Panic Bars). Its modern, aesthetic design makes it the perfect choice to complement any architectural style.



## FEATURES:

- SALTO SVN and SALTO Wireless network capable.
- All communication between the carrier and the electronic cylinder is encrypted and secured.
- The batteries can be replaced without cylinder removal.
- Equipped with anti-drilling protection.
- Suitable for medium to high security applications.
- Emergency opening via portable programming device (PPD).
- Available with mechanical cylinder cut outs for key override or access lock outs (override European profile cylinder).
- AMOK option for offline lockdown.

## MECHANISM FINISH:



## BAR FINISHES:



IM RE GR

## TECHNICAL CHARACTERISTICS:

- Mortise panic device.
- Mechanisms made of galvanized steel.
- To be installed in combination with Ex450 or Ex650 SALTO half escutcheons depending on the KPB.
- KPBO1 or KPBO2 required depending on the combination of the half escutcheon and the mortise lock.
- To be used with SALTO LE7E31 or LE9E11 mortise lock ranges
- Handing DIN left /DIN right usable.
- Maximum wing width: 1300mm.
- Cover dimensions: 200mm x 35mm x 108.5mm
- Spindle angle turn: 30° or 45° depending on the model.
- Square spindle: 9mm.

## PLATFORMS:

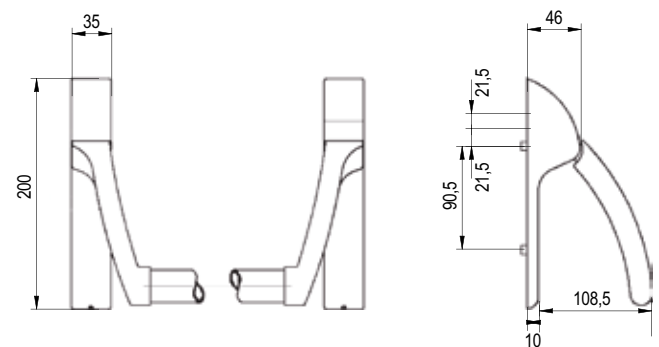


## ID TECHNOLOGIES :

Depending on the half escutcheon.

- MIFARE® (DESFire EV1, Plus, Ultralight C, Classic - ISO/IEC 14443).
- Bluetooth SMART (BLE).
- NFC.
- Inside Picopass.
- LEGIC Prime and LEGIC Advant.
- HID iCLASS®.
- i-Button.

## TECHNICAL DRAWING:



## CERTIFICATIONS:



(1)

(1) External escutcheon.

# XS4 EU Panic Bar

XS4 PBA1200 | XS4 PANIC BAR PBA1200

The SALTO XS4 PBA120 is a new mortise lock panic bar for emergency exit doors. EN1125 tested and approved. Also available with a passive leaf panic bar for double emergency exit doors.



## FEATURES:

- SALTO SVN and SALTO Wireless network capable.
- All communication between the carrier and the electronic cylinder is encrypted and secured.
- The batteries can be replaced without cylinder removal.
- Equipped with anti-drilling protection.
- Suitable for medium to high security applications.
- Emergency opening via portable programming device (PPD).
- Available with mechanical cylinder cut outs for key override or access lock outs (override European profile cylinder).
- AMOK option for offline lockdown.

## MECHANISM FINISH:



## BAR FINISHES:



IM RE GR

## TECHNICAL CHARACTERISTICS:

- Mortise panic device.
- Mechanisms made of galvanized steel.
- Cover made of satin stainless steel or plastic depending on the finish.
- Finishes: red, green or satin stainless steel (stainless steel version).
- To be installed in combination with Ex450 or Ex650 SALTO half escutcheons depending on the KPB.
- KPB33 required depending on the combination of the half escutcheon and the mortise lock.
- To be used with SALTO LE7A01 mortise lock ranges.
- No handing - reversible.
- Maximum wing width: 1150mm.
- Cover dimensions: 200mm x 35mm x 108,5mm.
- Spindle angle turn: 20° depending on the model.
- Square spindle: 9mm split spindle.

## PLATFORMS:

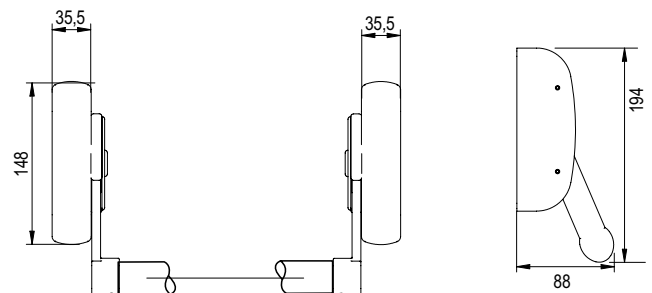


## ID TECHNOLOGIES :

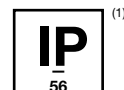
Depending on the half escutcheon.

- MIFARE® (DESFire EV1, Plus, Ultralight C, Classic - ISO/IEC 14443).
- Bluetooth SMART (BLE).
- NFC.
- Inside Picopass.
- LEGIC Prime and LEGIC Advant.
- HID iCLASS®.
- i-Button.

## TECHNICAL DRAWING:



## CERTIFICATIONS:



(1) External escutcheon.

# XS4 Push Bar

XS4 PBF110 | XS4 PANIC BAR PBF110

The SALTO XS4 PBF110 device is the emergency exit door's highest standard for security, with enhanced safety performance features. It combines the highest safety along with ease of use and installation. SALTO XS4 PBF110 series exit devices are UL listed for Panic Hardware and Fire Exit Hardware, and are certified according to ANSI A156.3, 2001, Grade 1.



## FEATURES:

- SALTO SVN and SALTO Wireless network capable.
- All communication between the carrier and the electronic cylinder is encrypted and secured.
- The batteries can be replaced without cylinder removal.
- Equipped with anti-drilling protection.
- Suitable for medium to high security applications.
- Emergency opening via portable programming device (PPD).
- Exit signal when bar depressed.
- AMOK option for offline lockdown.

## MECHANISM FINISH:



## BAR FINISHES:



IM

## TECHNICAL CHARACTERISTICS:

- RIM panic device.
- Latch deadlocking.
- Steel case.
- Can be used with an exterior trim.
- Finishes: Satin stainless steel ANSI/BHMA 630, US32D.
- To be installed in combination with Ai650m00ffH8 / Ai660m00ffH8 + KPB03xx.
- Latch bolt: Stainless steel 19 mm (¾") throw.
- Non-handing Device
- Maximum wing width: 1300mm.

## PLATFORMS:

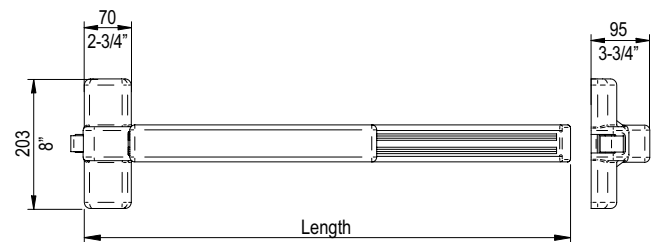


## ID TECHNOLOGIES :

Depending on the half escutcheon.

- MIFARE® (DESFire EV1, Plus, Ultralight C, Classic - ISO/IEC 14443).
- Bluetooth SMART (BLE).
- NFC.
- Inside Picopass.
- LEGIC Prime and LEGIC Advant.
- HID iCLASS®.
- i-Button.

## TECHNICAL DRAWING:



## CERTIFICATIONS:



- Certified UL305 and ANSI A156.3-2008. Grade 1
- UL/cUL listed for 3 hour Fire Exit Hardware



(1)

(1) External escutcheon.

# Panic Bar Adaptor Kit

XS4 KPBS | XS4 KIT PANIC BARS

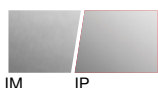
The XS4 SALTO KPBs (Kit Panic Bars) make it possible to fit stand-alone electronic escutcheons in combination with existing panic bars. SALTO has developed a wide range of KPBs that are compatible with the most popular panic bars on the market.



## FEATURES:

- Compatible with over 60 types of bars covering the mainstream exit panic devices for safe evacuations on the market.
- AMOK option for offline lockdown.
- Wireless online in real-time capabilities.
- Two different finishes, satin stainless steel or polished stainless steel.

## KPB FINISHES:



## TECHNICAL CHARACTERISTICS:

- KPB covers made of stainless steel.
- Customized fixing systems depending on the panic bar to be adapted.
- Compatible with some concealed vertical rod panic bars.

## PLATFORMS:

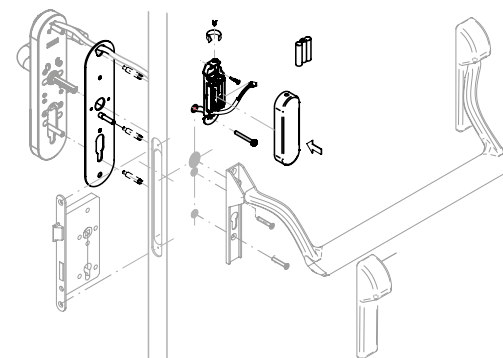


## ID TECHNOLOGIES :

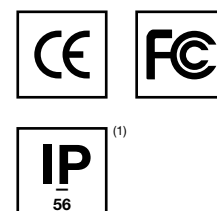
Depending on the half escutcheon.

- MIFARE® (DESFire EV1, Plus, Ultralight C, Classic - ISO/IEC 14443).
- Bluetooth SMART (BLE).
- NFC.
- Inside Picopass.
- LEGIC Prime and LEGIC Advant.
- HID iCLASS®.
- i-Button.

## TECHNICAL DRAWING:



## CERTIFICATIONS:



<sup>(1)</sup> External escutcheon.



## XS4 Mortise Locks

### EUROPEAN MORTISE LOCKS

---

LE7S Models (PZ 72)

---

LE8P Models (PZ 85)

---

LE7W Models (PZ 92)

---

LE9W Models (PZ 92)

### SCANDINAVIAN MORTISE LOCKS

---

LS5N Models

### ANSI MORTISE LOCKS

---

LA1T Models (ANSI Grade 1)

### CARTRIDGE CYLINDRICAL LATCHES

---

LC1M Models (ANSI Grade 1)

### TUBULAR LATCHES

---

LT2K Model

---

## XS4 MORTISE LOCKS | RELIABLE LOCKING

Access control requires a good, reliable door smart locking system. SALTO offers a wide range of mortise locks in order to ensure that the door is correctly locked. Whether you need ANSI mortise locks, Euro DIN locks for wooden doors or narrow profiles, Scandinavian locks, cylindrical

cartridge latches or automatic locks with privacy and panic functions, SALTO has the locking system you need. Our complete range of mortise locks enable you to install SALTO electronic escutcheons and cylinders without compromising security.

---

## Main Features

- Lock case, latch and deadbolt made of steel.
- ANSI, Euro locks, DIN locks (distances 72mm, 85mm and 92mm), SIS Scandinavian standard and cylindrical latch models.
- Wide range of backsets and front plate configurations to fit most doors.
- Optional panic function for greater security of users or guests.
- Equipped with auxiliary latch (anti card system) to prevent unwanted intrusions.
- Highest certifications compliant.\*
- With automatic deadbolt or latch through-in option.
- Optional with door detector to monitor the status of the door without any additional hardware.\*
- Optional with deadbolt detector for electronic privacy function.
- Optional key override function for greater security of users or guests.

---

\* Depending on the mortise lock model, the certifications can vary.



# European Mortise Lock

## LE7S | DIN EUROPEAN MORTISE LOCK

The SALTO XS4 LE7S is a DIN compatible mortise lock that offers a wide range of operations and functions possibilities to improve access control with a reliable locking solution.

It includes integrated electronic detectors\* to monitorize in real-time the door status, providing an easy to install solution without any additional hardware or drilling needs.



### FEATURES:

- DIN compatible mortise lock case, according to DIN 18251.
- Suitable for XS4 Euro standard escutcheons and electronic cylinders.
- High resistance by use of high quality materials.
- Lock case, latch made of steel.
- Equipped with auxiliary latch (anti card system) to prevent unwanted intrusions.
- Different backsets.
- Optional asymmetric front plate for rebated doors.
- Includes standard strike plate and dust box for an optimal installation.
- Requires no extra drilling.
- Strike plate and dust box included.

### FINISHES:



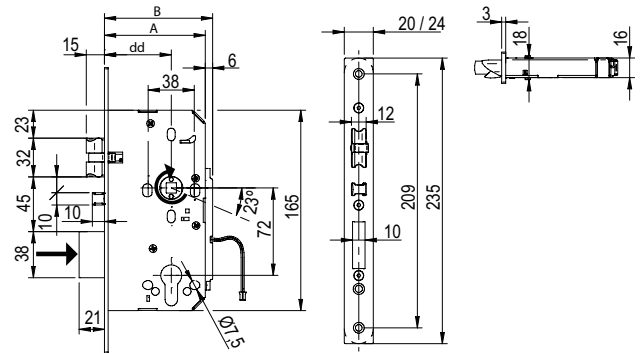
### TECHNICAL CHARACTERISTICS:

- Axe distance: 72mm.
- Compatible with Euro profile mechanical cylinders.
- Round or squared front plate available.
- 8mm or 9mm square spindle.
- Turning angle: 23°.
- Backsets available: 55mm, 60mm, 65mm and 70mm.
- Front plates available: 20mm and 24mm.

### HANDING:

- Reversible latch with antifriction for more convenient and reliable function.
- Optional asymmetric front plate for rebated doors.

### TECHNICAL DRAWING:



### OPERATIONS AND FUNCTIONS:

- Intelligent integrated detectors for deadbolt and door position to monitor the status of the door without any additional hardware or fitting.\*
- Detection of intrusion alarms.\*
- Opened and closed status of doors through SALTO Wireless technology.\*
- Optional integrated electronic privacy detector for door/room status real-time monitoring.\*
- Anti-panic safety function: In locked position, turning the inside handle retracts auxiliary latch and deadbolt simultaneously.
- Mortise lock available with or without deadbolt for additional security.
- The handle retracts the latch to normal position.
- 1 turn thumbturn full projection.

### CERTIFICATIONS:



\* Depending on the model  
\*\* In process



# European Mortise Lock

## LE8P | EUROPEAN MORTISE LOCK

The XS4 Euro lock is a mortise lock with latch projection which means the latch is automatically projected and deadlocked when the door is closed. This mortise lock is suitable for all kinds of wooden doors, whether it's a hotel room, office or warehouse door, etc. The new latch projection function increases security by making it impossible to gain access by using plastic cards.

For additional security, SALTO also offers the option to order this lock with a deadbolt.



### FEATURES:

- European mortise lock case.
- Suitable for XS4 Euro standard escutcheons and electronic cylinders.
- High resistance by use of high quality materials.
- Lock case, latch and deadbolt made of steel.
- Different backsets.
- Strike plate and dust box not included.

### FINISHES:



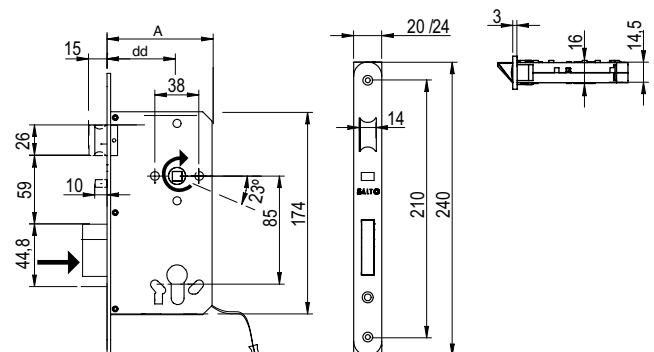
### TECHNICAL CHARACTERISTICS:

- Axe distance: 85mm.
- Compatible with Euro profile mechanical cylinders.
- Round or squared front plate available.
- 8mm square spindle.
- Turning angle: 28°.
- Backsets available: 50mm, 60mm and 70mm.
- Front plates available: 20mm and 23mm.
- ANSI front plates available: 27mm and 32mm for ANSI retrofit.

### HANDING:

- Reversible latch for more convenience.

### TECHNICAL DRAWING:



### OPERATIONS AND FUNCTIONS:

- Mortise lock available with or without deadbolt for additional security.
- Mortise lock with self-locking action projection (5mm projection) to prevent unwanted intrusions.
- The handle retracts the latch to normal position.
- Anti-panic safety function: In locked position, turning the inside handle retracts auxiliary latch and deadbolt simultaneously.
- Deadbolt detector option for electronic privacy function.
- Optional integrated detectors for electronic privacy function to monitor the status of the door without any additional hardware or fitting.

### CERTIFICATIONS:



# European Mortise Lock

LE7W | DIN EUROPEAN AUTOMATIC MORTISE LOCK

The XS4 DIN Mortise lock LE7W is an automatic deadbolt projection mortise lock that fits the DIN standards. This mortise lock is secure and robust, as it has an intelligent system that projects the deadbolt automatically when the door is closed to ensure that it is properly locked.



## FEATURES:

- DIN mortise lock case.
- Suitable for XS4 Euro standard escutcheons and electronic cylinders.
- High resistance by use of high quality materials.
- Lock case, latch and deadbolt made of steel.
- Equipped with auxiliary latch (anti card system) to prevent unwanted intrusions.
- Different backsets.
- Strike plate and dust box not included.

## FINISHES:



IM

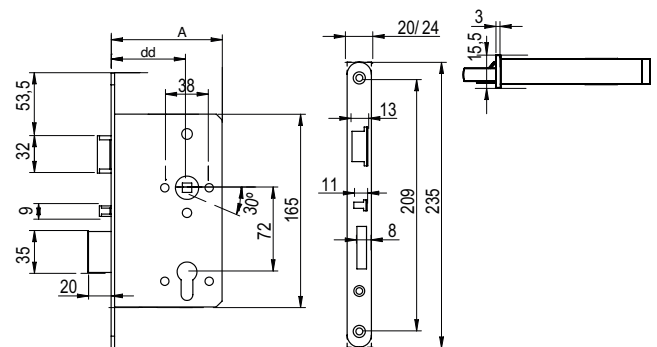
## TECHNICAL CHARACTERISTICS:

- Axe distance 72mm.
- Compatible with Euro profile mechanical cylinders.
- Round or squared front plate available.
- 8mm or 9mm square spindle.
- Turning angle ca.30°.
- Backsets available 55mm, 60mm, 65mm and 80mm.
- Front plates available: 20mm and 24mm.

## HANDING:

- Handed lock, not reversible.

## TECHNICAL DRAWING:



## OPERATIONS AND FUNCTIONS:

- Automatic deadbolt projection.
- The handle retracts the latch to normal position.
- Anti-panic safety function: In locked position, turning the inside handle retracts auxiliary latch and deadbolt simultaneously.

## CERTIFICATIONS:

Certificates of conformity from the lock manufacturer.

# European Mortise Lock

LE9W | DIN EUROPEAN MORTISE LOCK

SALTO offers different mortise locks suitable for narrow profile doors. The LE9W is a mortise lock compatible with DIN lock cases that offers a high quality product, and also allows use with an automatic deadbolt projection.



## FEATURES:

- European mortise lock case.
- Suitable for XS4 Euro standard escutcheons and electronic cylinders.
- High resistance by use of high quality materials.
- Lock case, latch and deadbolt made of steel.
- Different backsets.
- Strike plate included.

## FINISHES:



IM

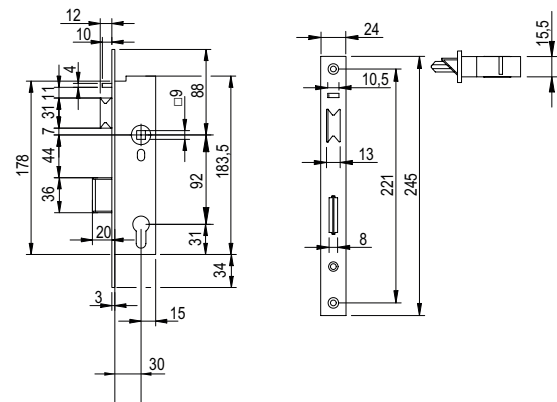
## TECHNICAL CHARACTERISTICS:

- Axe distance 92mm.
- Compatible with Euro profile mechanical cylinders.
- Squared front plate available.
- 9mm square spindle (adaptor to 8mm included).
- Turning angle 30°.
- Backsets available 30mm, 35mm, 40mm and 45mm.
- Front plates available: 24mm.

## HANDING:

- Reversible latch for more convenience.

## TECHNICAL DRAWING:



## OPERATIONS AND FUNCTIONS:

- Mortise lock available with or without deadbolt for additional security.
- Automatic deadbolt projection optional for more security.
- The handle retracts the latch to normal position.
- Anti-panic safety function: In locked position, turning the inside handle retracts auxiliary latch and deadbolt simultaneously.

## CERTIFICATIONS:

Certificates of conformity from the lock manufacturer.

# Nordic Mortise Lock

LS5N | SCANDINAVIAN MORTISE LOCK

Wide range of specially designed Scandinavian standard mortise locks that ensure the door is locked correctly and securely. Developed to increase both the security and safety of the entire door, especially when used with access control and building key management systems. Suitable for use with Scandinavian XS4 Nordic escutcheons, XS4 Nordic Mini electronic locks and XS4 Nordic GEO cylinder models on both interior and exterior doors.



## FEATURES:

- Scandinavian standard mortise lock.
- Suitable for XS4 Nordic standard escutcheons and electronic cylinders.
- High security lock for exterior and interior Scandinavian standard doors.
- Scandinavian oval and round type cylinder compatible.
- Lock case, latch and deadbolt made of zinc plated steel.
- Equipped with auxiliary latch (anti card system) to prevent unwanted intrusions.
- Scandinavian standard strike plate available for an optimal installation.

## FINISHES:



ZP

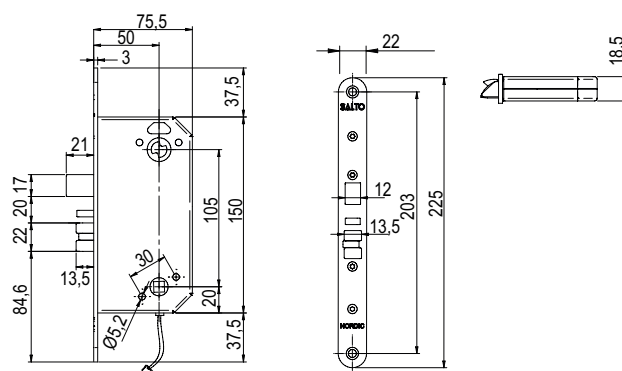
## TECHNICAL CHARACTERISTICS :

- Axe distance 105mm.
- Compatible with Scandinavian oval and round type cylinder.
- Round front plate available.
- 8mm square spindle.
- Turning angle 33°.
- Backsets available 50mm.
- Front plates available: 22mm.

## HANDING:

- Handed lock, not reversible.

## TECHNICAL DRAWING:



## OPERATIONS AND FUNCTIONS:



- Intelligent integrated detectors for deadbolt and door position to monitor the status of the door without any additional hardware or fitting.\*
- Detection of intrusion alarms.\*
- Opened and closed status of doors through SALTO Wireless technology.\*
- Optional integrated electronic privacy detector for door/room status real-time monitoring.\*
- Anti-panic safety function: In locked position, turning the inside handle retracts auxiliary latch and deadbolt simultaneously.
- Mortise lock available with or without deadbolt for additional security.
- The handle retracts the latch to normal position.

## CERTIFICATIONS:



\* Depending on the model

# ANSI Mortise Lock

## LA1T | ANSI MORTISE LOCK

Specially designed for those doors that need an ANSI mortise lock ANSI A 156.13 Grade 1 and a privacy function with a deadbolt for Hospitality purposes.

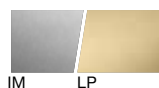
It includes integrated electronic detection to monitorize in real-time the door status, providing an easy to install solution without any additional hardware or drilling needs.



### FEATURES:

- Grade 1 ANSI mortise lock case.
- Suitable for ANSI standard escutcheons and electronic cylinders.
- High security heavy duty mortise lock for exterior and interior ANSI standard doors.
- Lock case, latch and deadbolt made of steel.
- Equipped with auxiliary latch (anti card system) to prevent unwanted intrusions.
- Includes standard strike plate and dust box for an optimal installation.

### FINISHES:



### TECHNICAL CHARACTERISTICS :

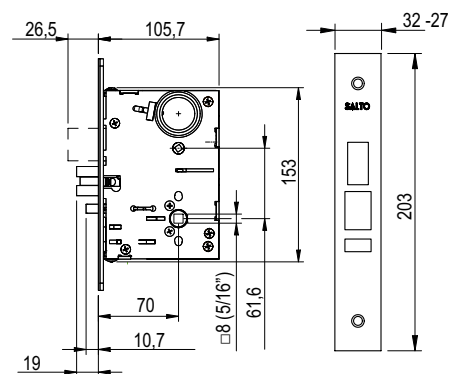
- Axe distance 62mm.
- Compatible with mortise cylinders 1-1/8".
- Squared front plate.
- 8mm (5/16") square spindle.
- Turning angle 54°.
- Backsets available: 70mm.
- Front plates available: 32mm (1-1/4"x8") and 27mm (1-1/16"x 8").

• 1 1/16"

### HANDING:

- Reversible latch for more convenience.
- Adjustable face plate.

### TECHNICAL DRAWING:



### OPERATIONS AND FUNCTIONS:

- Intelligent integrated detectors for deadbolt and door position to monitor the status of the door without any additional hardware or fitting.
- Detection of intrusion alarms.
- Opened and closed status of doors through SALTO Wireless technology.
- Optional integrated electronic privacy detector for door/room status real-time monitoring.
- Anti-panic safety function: In locked position, turning the inside handle retracts auxiliary latch and deadbolt simultaneously.
- Mortise lock available with or without deadbolt for additional security.
- The handle retracts the latch to normal position.

### CERTIFICATIONS:



# Cylindrical latch

## LC1K | CARTRIDGE CYLINDRICAL LATCH

With the SALTO XS4 cylindrical latch, you can replace existing traditional knob sets and upgrade them with a state of the art electronic access control system.

SALTO Cartridge cylindrical latches meets ANSI A156.2 Grade 1 requirements, and enables users to replace old cylindrical or tubular latches with new, high quality ones compatible with SALTO electronic escutcheons.



### FEATURES:

- Meets ANSI A156.2 Grade 1 cylindrical latch requirements.
- Suitable for XS4 Original ANSI standard escutcheons and XS4 Mini ANSI models.
- Cartridge, latch and deadbolt made of steel.
- Equipped with auxiliary latch (anti card system) to prevent unwanted intrusions.
- Different backsets.
- Strike plate and dust box included.

### FINISHES:



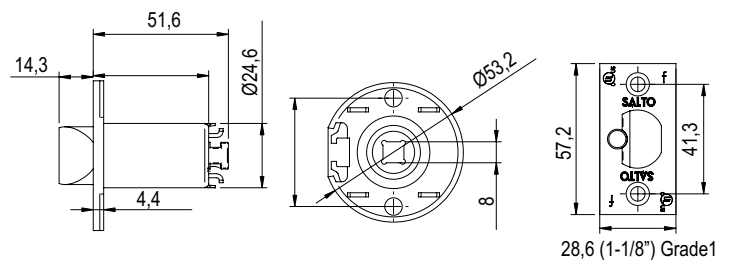
### TECHNICAL CHARACTERISTICS :

- Squared front plate.
- 8mm ( $\frac{5}{16}$ " ) square spindle.
- Turning angle 58°.
- Backsets available: 60mm ( $2\text{-}\frac{3}{8}$ " ), 70mm ( $2\text{-}\frac{3}{8}$ " ), 95mm ( $3\text{-}\frac{3}{4}$ " ) and 127mm (5").
- Front plates available: 28,6mm ( $1\text{-}\frac{1}{8}$ " ) x 57,2mm ( $2\text{-}\frac{1}{4}$ " )

### HANDING:

- Symmetrical latch for more convenience, no handing needed.

### TECHNICAL DRAWING:



### OPERATIONS AND FUNCTIONS:

- The handle retracts the latch to normal position.

### CERTIFICATIONS:



# Tubular latch

## LT2K | TUBULAR LATCH

The SALTO LT2K tubular latch is a Grade 2 tubular latch that permits combining SALTO electronic escutcheons on doors where a tubular latch retrofit is needed.



### FEATURES:

- Meets ANSI A156.2 Grade 2 tubular latch requirements. Latch and body made of steel.
- Suitable for XS4 standard escutcheons.
- Equipped with auxiliary latch (anti card system) to prevent unwanted intrusions.
- Different backsets.
- Strike plate and dust box included.
- Satin stainless steel finish (US32D).

### FINISHES:



IM

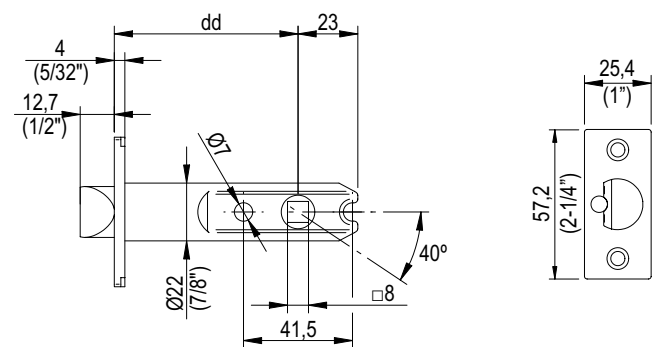
### TECHNICAL CHARACTERISTICS :

- 12,7mm ( $\frac{1}{2}$ " ) throw solid brass latch.
- Squared front plate.
- 8mm square spindle.
- Turning angle 40°.
- Backsets available 60mm, 70mm and 127mm.
- Front plates available: 25,4mm (1").

### HANDING:

- Symmetrical latch for more convenience no handing needed.

### TECHNICAL DRAWING:



### OPERATIONS AND FUNCTIONS:

- The handle retracts the latch to normal position.

# Reference guide information

## XS4 LOCK | MORTISE LOCKS

SALTO offers a wide range of mortise locks in order to ensure that the door is correctly locked. Whether you need Euro locks, DIN locks, ANSI mortise locks, Scandinavian standard locks, cylindrical cartridge latches or automatic locks with privacy and panic functions, SALTO has the locking system you need.

The complete range of standard mortise locks enables you to install SALTO electronic XS4 escutcheons and SALTO XS4 GEO cylinders without compromising security.

LE	7S	15	15	60	R	4	3	IM	8	-
PRODUCT TYPE	SERIES	DEADBOLT FUNCTION	LATCH FUNCTION	BACKSET	FRONT PLATE SHAPE	FRONT PLATE	DETECTOR	FINISH	SPINDLE	HANDING
1	2	3	4	5	6	7	8	9	10	11

### 1 | PRODUCT TYPE

LE	European mortise lock.
LA	ANSI mortise lock.
LS	Scandinavian mortise lock.
LC	Cylindrical latch.
LT	Tubular latch.

### 2 | SERIES

7S	DIN European mortise lock (Axe distance 72mm).
8P	European mortise lock with automatic latch projection (Axe distance 85mm).
7W-7E	DIN European automatic mortise lock (Axe distance 72mm).
9W-9E	DIN European mortise lock (Axe distance 92mm).
1T-1M	ANSI mortise lock Grade 1.
2K	ANSI tubular latch Grade 2.
5N	Scandinavian mortise lock (Axe distance 105mm).

### 3 | DEADBOLT FUNCTION

0	No deadbolt.
1	Deadbolt with panic function.
2	Deadbolt without panic function.
3	Automatic deadbolt projection.

### 4 | LATCH FUNCTION

0	No latch.
1	Standard latch.
2	Automatic latch projection.
4	Latch with anti-friction system.



---

## 5 | BACKSET

---

30	30mm.	50	50mm.	70	70mm.
35	35mm.	55	55mm.	27	127mm.
40	40mm.	60	60mm.		
45	45mm.	65	65mm.		

Not all the backsets are available in all versions.

---

## 6 | FRONT PLATE SHAPE

---

C	Squared.
R	Round.
A	ANSI Type.

---

## 7 | FRONT

---

0	20mm.	7	27mm.
2	32mm.		
4	24mm.		

---

## 8 | DETECTOR

---

0	No detector.
1	Built-in deadbolt detector (privacy system).
2	Built-in door detector.
3	Built-in deadbolt (privacy system) and door detector.

---

## 9 | FINISHES

---

IM	Satin stainless steel (US32D).
EL	Brass.
LP	Polished brass (US3).
ZP	Zinc plated.

---

## 10 | SPINDLE

---

8	8mm through squared spindle.
9	9mm through squared spindle.

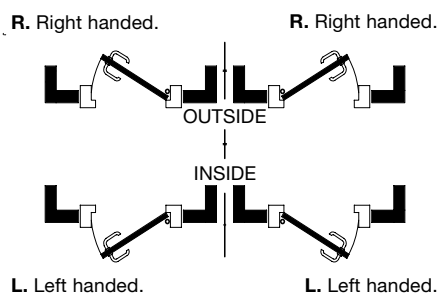
---

## 11 | HANDING

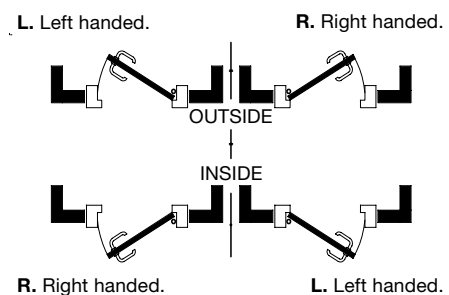
---

-	No handing.
L	Left hand.
R	Right hand.

### 11 | SALTO and ANSI mortise lock handing code



### 11 | Scandinavian and DIN mortise lock handing code





## XS4 Platform components

### **XS4 PLATFORM COMPONENTS**

---

Wireless System Components

---

Energy Saving Devices (ESD)

---

Access Control Management Tools

---

Credentials

---

## XS4 BY SALTO | PLATFORM COMPONENTS

The SALTO XS4 platform is more than just a locking solution and by combining the locks with other devices, we can reach a level of convenience and performance higher than traditional stand-alone access control systems.

---

### Wireless components

The XS4 online advanced wireless solution delivers real-time high level security with all the convenience of battery-operated access control.

It's the perfect choice for applications that need an access control system with low power consumption, providing online control without any need to hard-wire.

Simply set up the gateways (which are connected by Ethernet/WIFI to the controlling PC) and Nodes in pre-defined wireless zones and you're ready to go. The battery powered escutcheons and electronic cylinders use built-in low power (2.4 GHz) radio transceivers to communicate with the gateways to create a real-time wireless access control network.

---

#### WIRELESS ACCESS CONTROL PLATFORM COMPONENTS:

- **GATEWAY:** The SALTO Gateway is the link between the PC and the wireless network.
- **NODE:** The SALTO Node is a bridge between the gateway and the wireless door lock.

---

### Management tools

The two SALTO XS4 management tools are the link between the software and the carriers as well as between the software and the locks on the door. To perform routine tasks such as editing new user keys, set up the access control plan, run diagnostics on offline devices, or perform emergency openings in extreme situations and more.

---

#### XS4 ACCESS CONTROL PLATFORM COMPONENTS:

- **ENCODER:** The SALTO XS4 encoder is a compact device which reads, encodes and updates carriers.
- **CONTACTLESS PPD:** The SALTO Portable Programming Device is the messenger between the computer and the locks.

---

### Energy saving devices

The SALTO in-room energy saving device (ESD) helps save up to 65%\* of a hotel room or student dorm's electricity consumption. Unlike standard (magnetic stripe) energy savers, only authorized SALTO key cards will switch on the lights.

It is also available in a connected online version, which as well as energy saving, indicates in real-time the presence of guests or staff in a room, logging the information directly into the building management PC.

---

#### SMART ENERGY SAVING DEVICES (ESDs):

- **RFID:** Recognizes RFID user's cards and switches on only the electrical equipment they need to do their work.
- **i-BUTTON:** Recognizes user's i-Button keys and switches on only the electrical equipment they need to do their work.

\* SALTO statistics.

---

### Credentials

SALTO carriers are available in a wide range of versions to suit every user's individual needs. Contactless and intuitive to use, you just have to present the carrier at the reader. All carriers are battery free, waterproof, copyproof and also suitable for multi-applications with other systems like T&A terminals or cashless payment systems.

---

#### CONTACTLESS IDENTIFICATION KEYS:

- **CARDS:** Contactless RFID cards.
- **FOBS:** Contactless RFID key fobs.
- **BRACELETS:** Contactless RFID bracelets.

# XS4 Wireless Gateway

## XS4 GATEWAY | WIRELESS COMPONENTS

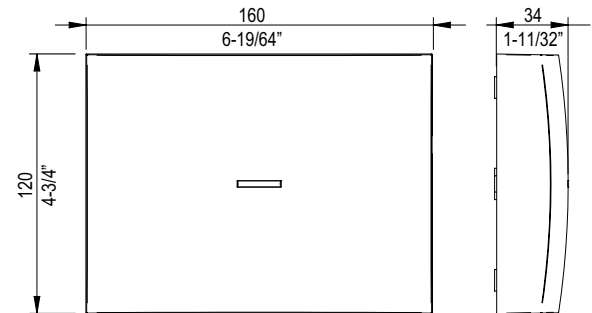
The SALTO Gateway is the link between the PC and the wireless network. Completely managed through SALTO ProAccess SPACE software, it collects all the information sent by the escutcheons through the nodes.



### TECHNICAL CHARACTERISTICS :

- Wireless radio frequency based on IEEE 802.15.4 at 2,4Ghz.
- AES 128bits encryption.
- Connection to the LAN Network 10 BASE-T/100 BASE-TX.
- PoE supported IEEE802.3af (12V power adapter optional).
- Can manage several nodes and many locks.
- IP addressing through web explorer available.
- Firmware update via software through Ethernet connection.
- One internal node included.

### TECHNICAL DRAWING:



### GATEWAY COLOUR:



# XS4 Wireless Node

## XS4 NODE | WIRELESS COMPONENTS

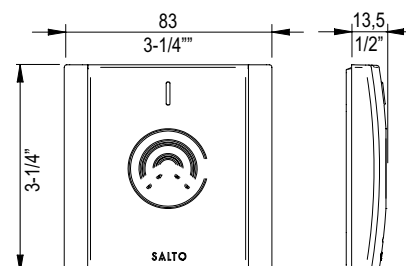
The SALTO Node is a bridge between the gateway and the escutcheons, where the distance to the escutcheon or where the number of escutcheons that must be linked to the gateway exceeds what is possible with a single Gateway.



### TECHNICAL CHARACTERISTICS :

- Wireless radio frequency based on IEEE 802.15.4 at 2,4Ghz.
- AES 128bits encryption.
- Connection to the GATEWAY BUS 485.
- Powered by the GATEWAY.
- Can manage up to 16 wireless locks.
- Firmware update via software through Ethernet connection.

### TECHNICAL DRAWING:



# XS4 Components

## XS4 ESD | ENERGY SAVING DEVICE

The SALTO in room energy saving device (ESD) helps to save up to 65%\* of a hotel room or student dorms electricity consumption and unlike standard (magnetic stripe) energy savers, only authorized SALTO key cards will switch on the lights. Any other card (frequent flyer, business card etc) or other SALTO cards belonging to other rooms, won't work.



### FEATURES:

- Two different finishes for different room styles.
- Two relay outputs.
- Window detector input. If window is left open, the system will switch off the air conditioning.
- Flexible exit time delay by software.
- Modern Blue LED indicator which indicates the location of the device in the dark, and blinks as a courtesy indicator after retrieving the card when leaving the room.
- Available in i-Button and RFID (Mifare, DESfire, Mifare Ultralight).
- Online version available in RFID models.

### FINISHES:



Gold champagne  
ESDx2UC



Iron blue  
ESDx2UI

### TECHNICAL CHARACTERISTICS :

- Input voltage: 85-265 Volts AC.
- Consumption:
  - 200 mW in rest mode.
  - 1,8 W when activated.
- Relay power cut: 10A.
- Max. section for power and relays contacts connector:
  - Stranded wire section: 12 AWG (2,5mm<sup>2</sup>).
  - Strip length: 4-5mm.
- Max. section for windows detector connector:
  - Stranded wire section: 16 AWG (0,5mm<sup>2</sup>).
  - Strip length: 4-5mm.

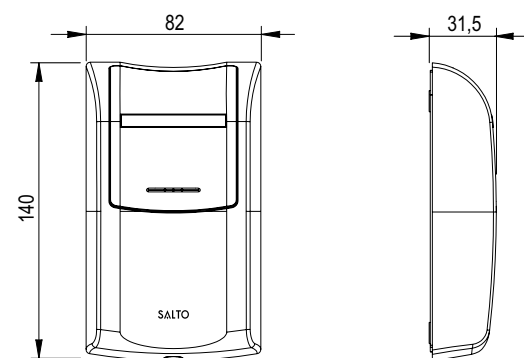
### PLATFORMS:

SVN

### ID TECHNOLOGIES :

- MIFARE, MIFARE plus, MIFARE Ultralight C, DESFire, DESFire EV1.
- i-Button.

### TECHNICAL DRAWING:



### CERTIFICATIONS:



# XS4 Encoder

XS4 ECx0EN/ECX0USB | PLATFORM COMPONENTS

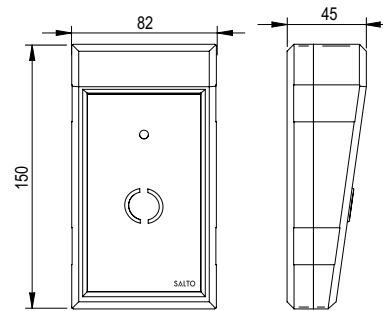
The SALTO encoder is a compact device which reads, encodes and updates cards.

It is available in different versions depending on the PC connection (Ethernet or UBS). It also permits automatic key issuing in large and complex properties, enabling users to carry out key assignment without any assistance required from the access control manager.



## TECHNICAL CHARACTERISTICS :

- Current required: 12 v/ 500mA (adaptor included).
- Connection to the PC: USB or Ethernet.
- USB encoders do not usually require an external adaptor.



## PLATFORMS:



## ID TECHNOLOGIES :

- MIFARE, MIFARE plus, MIFARE Ultralight C, DESFire, DESFire EV1.
- Inside Picopass.
- LEGIC Prime and LEGIC Advant.
- HID iCLASS®.
- i-Button.

# XS4 Desktop Reader

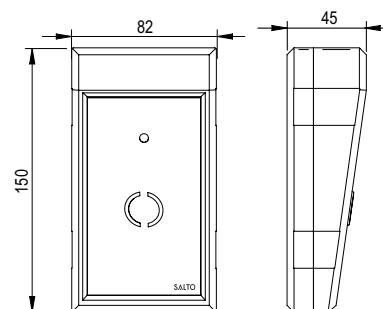
XS4 ECx0DR | PLATFORM COMPONENTS

Created for the Hotel environment, the SALTO desktop reader is designed to read data from the R&W carriers and send it to an external device, usually a Point of Sale terminal.



## TECHNICAL CHARACTERISTICS :

- Configuration by dip switches to control data to be read and the interface with the external device.
- The interface with the external device can be RS232, OMRON and WIEGAND.
- Current required: 12v DC source (included).
- Connection to the external device: 9 pin D-type female connector (to be connected to serial port).
- Data read by the desktop reader: ROM CODE, TRACKS ON KEY, WIEGAND CODE.



## PLATFORMS:



## ID TECHNOLOGIES :

- MIFARE, MIFARE plus, MIFARE Ultralight C, DESFire, DESFire EV1.
- Inside Picopass.
- LEGIC Prime and LEGIC Advant.
- HID iCLASS®.
- i-Button.

# XS4 PPD

## XS4 PPDx00 | PLATFORM COMPONENTS

The SALTO contactless Portable Programmer Device (PPD) is the messenger between the computer and the locks such as escutcheons or cylinders. It is used by systems administrator staff to test or program the locks, initialize doors, update locks or collect audit trails.



### FEATURES:

- Multilingual interface that facilitates the maintenance operations.
- Initialise doors: Transmits the door's access plan where the lock, reader or cylinder is installed.
- Collect audit trail: Download all the register of events from the locks, readers or cylinders.
- Update locks (door profile & internal clock).
- Door diagnostic.
- Emergency opening.
- Firmware update.
- Auto switch-off.
- Low-battery indication

### TECHNICAL CHARACTERISTICS :

- Power source: 3 alkaline batteries - LR03 - AAA 1,5V.
- Membrane keyboard.
- Adaptive brightness to correct screen.
- Connection to lock: cable included or contactless through NFC.
- PC connection: USB.

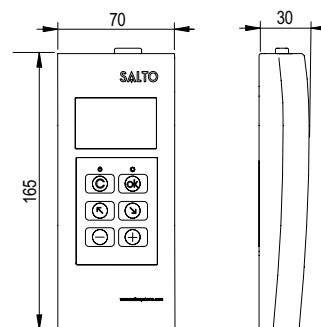
### PLATFORMS:



### ID TECHNOLOGIES :

- Contactless RFID.
- i-Button.

### TECHNICAL DRAWING:



### CERTIFICATIONS:



# Contactless cards

XS4 CREDENTIALS | PLATFORM COMPONENTS

Reusable, contactless RFID smart cards for access control. It provides higher levels of security than traditional mechanical key management and additional applications can be implemented on the same ID user credential.



## TECHNICAL CHARACTERISTICS :

- Available in 1 Kbytes / 4 Kbytes of memory
- Available in white, SALTO design and other design (under request).
- Meets requirements for contactless access control and compatible with SALTO Virtual Network data-on-card technology.
- Same size and thickness as a standard credit card.

## COLOURS:



## PLATFORMS:



## ID TECHNOLOGIES :

- MIFARE® DESFire EV1.
- MIFARE® Classic.
- MIFARE® Ultralight C.
- LEGIC Prime and LEGIC Advant.
- HID iCLASS®.
- Designed for multiple applications across market segments using the same credential through shared sectors.

# Contactless key fobs

XS4 CREDENTIALS | PLATFORM COMPONENTS

Contactless RFID key fobs are a cost-effective, secure and convenient solution for commercial and industrial applications with a durable housing for rugged use or harsh environments. Attractively designed, SALTO XS4 contactless key fobs are available in various color.



## TECHNICAL CHARACTERISTICS :

- Available in 1 Kbytes / 4 Kbytes of memory
- Available in various color, SALTO design and other design (under request).
- Meets requirements for contactless access control and compatible with SALTO Virtual Network data-on-card technology.

## COLOURS:



## PLATFORMS:



## ID TECHNOLOGIES :

- MIFARE® DESFire EV1.
- MIFARE® Classic.
- Designed for multiple applications across market segments using the same credential through shared sectors.



# Contactless bracelets

## XS4 CREDENTIALS | PLATFORM COMPONENTS

Contactless RFID silicone bracelets are comfortable, easy to wear and a good alternative to classical key fobs and cards. A convenient solution for commercial and industrial applications with a durable housing for rugged use or harsh environments. Attractively designed, are available in various color.



### TECHNICAL CHARACTERISTICS :

- Available in 1 Kbytes / 4 Kbytes of memory
- Available in various color.
- Meets requirements for contactless access control and compatible with SALTO Virtual Network data-on-card technology.

### COLOURS:



### PLATFORMS:



### ID TECHNOLOGIES :

- MIFARE® DESFire EV1.
- MIFARE® Classic.
- Designed for multiple applications across market segments using the same credential through shared sectors.

# Contactless key bracelets

## XS4 CREDENTIALS | PLATFORM COMPONENTS

Contactless RFID key bracelets are a cost-effective, secure, easy to wear and convenient solution for commercial and industrial applications with a durable housing for rugged use or harsh environments. Attractively designed, SALTO XS4 contactless key fobs are available in various color.



### TECHNICAL CHARACTERISTICS :

- Available in 1 Kbytes / 4 Kbytes of memory
- Available in various color, SALTO design and other design (under request).
- Meets requirements for contactless access control and compatible with SALTO Virtual Network data-on-card technology.

### COLOURS:

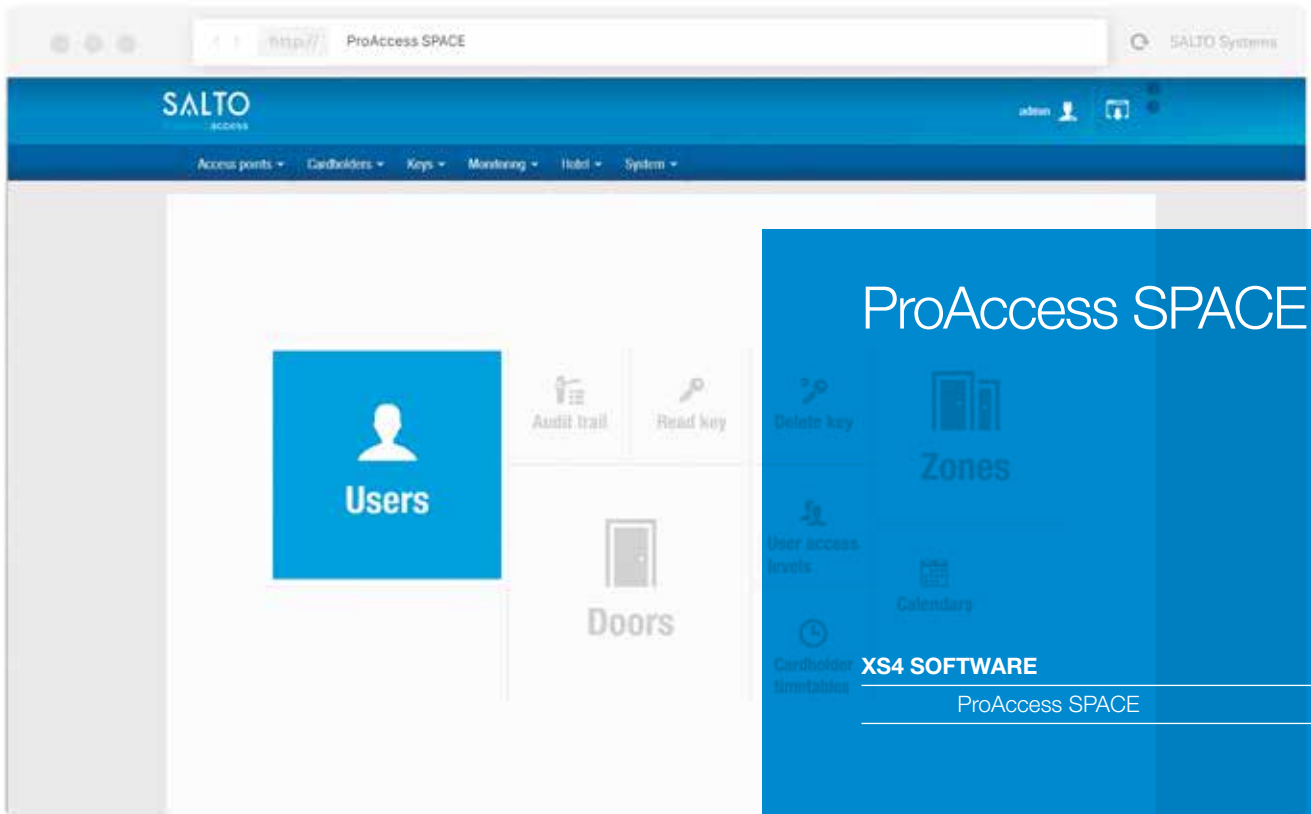


### PLATFORMS:



### ID TECHNOLOGIES :

- MIFARE® DESFire EV1.
- MIFARE® Classic.
- Designed for multiple applications across market segments using the same credential through shared sectors.



## XS4 SOFTWARE | ProAccess SPACE

SALTO ProAccess SPACE Software is a powerful web-based access control management tool that enables users to programme access-time zones, manage different calendars and view audit trails from each door. Its user-friendly interface is simple to

set up and configure, giving users the flexibility and control that today's modern access control systems require.

---

## Technical Data

### SERVER OPERATING SYSTEM:

- Windows 7 SP1.
- Windows 8.12.
- Windows 10.
- Windows Server 2008 R2 SP1.
- Windows Server 2012 R2.
- Windows Server 2016 (32-bits & 64-bits).

### MICROSOFT .NET FRAMEWORK REQUIREMENT:

- Net Framework 4.6.2. or higher.

### HARDWARE REQUIREMENT FOR SERVER:

- Processor: 1 GHz or higher. 32Bits or 64Bits.
- RAM: 4 GB.
- Hard disk space required: 10 GB.  
(Aprox., depends on the DB).

### HARDWARE REQUIREMENT FOR CLIENT:

- Processor: 1.6 GHz or higher. 32Bits or 64Bits.
- RAM: 1 GB.
- NET framework: V.40.2

### HTML5

- Supports all major web browsers like Chrome, Firefox, Edge, and Safari...

### SQL DATABASE ENGINE COMPATIBILITY:

- SQL LocalDB (included in ProAccess SPACE software - SQL Server 2012Express)
- SQL Server 2014
- SQL Server 2012
- SQL Server 2008 R2

---

## Access Control Features

### USERS & DOORS:

- Maximum number of users per door: 4 million.
- Maximum number of doors per system: 65,000
- User access levels: Unlimited.

### CALENDARS & TIME ZONES:

- Calendars in system: 256
- Time tables: 1024
- Timeperiods: 1024

---

## Main Features

### USER FRIENDLY:

- 100% web-based software that facilitates the set-up, routine use and monitoring, as well as any updating and changing of access rights.
- Web-based interface means no need to install the software on all client PCs.
- Easy installation process that includes a powerful SQL engine. Database protected by SQL authentication or windows-based authentication.
- Multi-language and configurable interface makes it easy to adjust the interface to the specific needs and security level of each operator, including operator password protection for higher security.
- Online event monitoring through web browser permitting real-time visibility of all events at online doors.
- Incorporate user photos to facilitate easy and fast identification of users at online access points.
- Easier set-up of the XS4 2.0 Controller inputs and outputs through a userfriendly wizzard template.

### SECURE:

- Systems's auditor registers changes done by operators.
- Interface alerts to be aware of potential conflicts on the setup of the access plan or changes.
- Easy to upgrade to additional features to keep in-line with an installation's requirements.

### FLEXIBLE:

- Also, an update of the server PC means that all client PCs are also updated.
- Can be managed or operated from different workstations simultaneously without risk of database corruption.
- Possibility of multi-display using different web screens.
- SALTO ProAccess SPACE software can also be used on Windows-based tablets.

### SMARTPHONE-BASED:

- JustIN Mobile permits access control users and hotel guests to use their BLE-enabled smartphone as their credential.
- JustIN mSVN permits users to use their NFC-enabled smartphone to update their credentials remotely.

## PROACCESS SPACE | MANAGEMENT SOFTWARE

SALTO Systems' new software, ProAccess SPACE, brings together a superior level of flexibility and functionality with an easy to use, web based interface and logic that enable the straightforward management of SALTO access control installations.

ProAccess SPACE lets users choose and pay for just the features and functions they need now, with the flexibility to upgrade accordingly in the future as their needs grow.

---

## Main Features



---

### SIMPLE BUT POWERFUL IN SYSTEM SCOPE:

SALTO ProAccess SPACE gives you all the potential of one complete access control software package, whatever the size of site.

- 4,000,000 users.
- 65,000 doors, lockers, controllers...
- Unlimited user access levels.
- 1,024 zones.

---

### THE SALTO HOST INTERFACE PROTOCOL INTERFACE (SHIP)

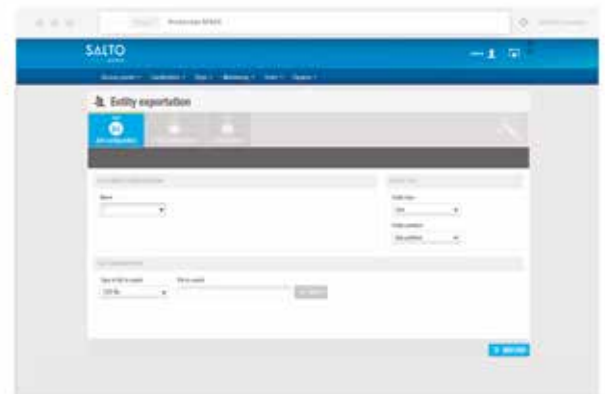
The SALTO Host Interface Protocol enables users to integrate their SALTO access control system to other systems, i.e., CCTV, fire alarm, traditional access control, etc., all via the same ProAccess SPACE software.

---

### THE POWER OF AN SQL MOTOR ENGINE DATABASE MADE EASY:

Allows management of peripheral devices from your web browser, even on client workstations without any additional configuration, bringing more flexibility and convenience to your management routines.

- Reliable and secured database infrastructure (SQL authentication or Windows-based authentication).
- No complex installation or need for advanced IT department or knowledge.
- No expensive licenses.
- Suitable for high security installations that require compliance with the highest IT standards.
- SSL protocols to warranty the security.
- Encrypted communication between the software and SALTO devices.



---

### MOBILE ACCESS CONTROL WITH SALTO JUSTIN MOBILE:

SALTO's new ProAccess SPACE software enables users to the benefit of SALTO Mobile technology through JustIN mSVN or JustIN Mobile. Both of these mobile solutions bring better security and usability to end users as well as system managers.

End users gain convenience and productivity without sacrificing security, while facility managers distinguish their property with cost-effective solutions that clients truly value.




---

**MULTI-WORKSTATION WITHOUT MULTI-STATION DESKTOP INSTALLATION:**

SALTO's web-based interface means the system can be managed or operated from different workstations simultaneously without risk of database corruption.

No need to install the software on all operator PCs. Simply install SALTO ProAccess SPACE SERVICE in one server or computer, then give access to other authorised computers inside the network.

---

**USER-CENTERED INTERFACE DESIGN:**

SALTO ProAccess SPACE has been designed to meet the needs of all of our users, providing an efficient tool that make their daily tasks easier, faster and more productive.

- More intuitive and user-friendly interface, with one window from which an operator manages all the tools needed.
- Multi-windows interface.
- Multi-language interface.
- Interface alerts of potential conflicts in the setup of access plan or changes.




---

**COMPATIBLE WITH MULTIPLE BROWSERS AND OS:**

SALTO ProAccess SPACE software client interface works with Microsoft Explorer, Safari and Firefox and can also be used with Windows tablets. Just a Silverlight plug-in needs to be installed and that's it.

---

**BUY EXACTLY WHAT YOU NEED ONCE, AND EASILY ADD ON A LA CARTE AS YOUR REQUIREMENTS GROW:**

SALTO ProAccess SPACE Software builds upon the experience and functionalities of ProAccess while adding an impressive mix of new capabilities and usability.

- Licensing system allows adding features and creating a tailor-made system, depending on your needs.

---

**CUSTOMISE OPERATOR PROFILES, INCLUDING SECURITY LEVELS:**

Operators are in control of the access plan management, so that's why ProAccess SPACE has a lot of functionality around operator management.

- Customization of the operator profile and operator workspace.
- Operator password protection for a higher security.
- System auditor to track what changes have been done by which operators.

---

**UPGRADABLE:**

Migrating from existing SALTO software is straightforward, no matter the version of ProAccess or HAMS currently in use.

You can upgrade while maintaining all the content of the access plan, users, doors, audit trail, etc.

## PROACCESS SPACE | MANAGEMENT SOFTWARE

ProAccess SPACE lets users choose and pay for only the features and functions they need now, with the flexibility to upgrade accordingly in the future as their needs grow.

With the SALTO ProAccess SPACE perpetual license system, you pay once for the features you need, and if new needs arise, you can easily and quickly upgrade your license, increasing the functionality and with the convenience you need.

---

## Main Functions

## Interfacing



---

### EVENT STREAM:

The Event Stream option generates real-time notifications to third party systems. The idea is to filter the audit trail and send the selected events so that the order system can process the received information and perform a real-time action.

**Feature included in: SPAONLINE, SPAIDSYS and SPAPART packages.**



---

### SHIP INTEGRATION:

The SALTO Host Interface Protocol enables users to integrate their SALTO Access Control system with other systems i.e., CCTV, fire alarm, traditional access control, etc., all via the same software.

**Function is only available as a separate add-on and is not included in any predefined package.**



---

### SALTO MOBILE USERS:

SALTO Mobile permits registered users to use their BLE-enabled smartphone as their credential, or their NFC-enabled smartphone to serve as a remote updating point to keep their access rights always up to date. ProAccess SPACE software permits the specific selection of which mobile solution -- JustIN Mobile or JustIN mSVN -- is appropriate for each individual user.

**Function is only available as a separate add-on and is not included in any predefined package.**



---

### OPERATORS PROFILE:

Each system operator can customize the look and feel of its own GUI by pre-defining the language, which encoder is to be used, column sorting etc... allowing a more efficient multi-user environment.



# Monitoring



## ONLINE MONITORING:

SALTO ProAccess software enables you to monitor in real-time not just battery status or if an update is needed, but also who accessed what door and when, if a door has been left open, intrusions, etc. Total control, all in real-time.

**Feature included in: SPABASIC, SPAONLINE, SPAIDSYS and SPAPART packages.**



## ROLL CALL:

Through the Roll Call function, you can track where users are in different roll call areas in real-time.

**Feature included in: SPAONLINE, SPAIDSYS and SPAPART packages.**



## LIMITED OCCUPANCY:

Using the Limited occupancy feature, you can control the maximum number of authorised users. The system will automatically deny access once set occupancy levels are reached, re-granting access if or when the limits are reset.

**Feature included in: SPAONLINE, SPAIDSYS and SPAPART packages.**



## GRAPHICAL MAPPING:

Graphical mapping is a visual interface that permits monitorization of users' access to online wired and wireless access points in real-time throughout the building layout.

**Function is only available as a separate add-on and is not included in any predefined package.**

# Advanced security



## LOCKDOWN:

SALTO ProAccess SPACE software enables users to make an emergency lockdown of a property in the event of a security incident.

**Feature included in: SPAONLINE, SPAIDSYS and SPAPART packages.**



## AMOK:

SALTO AMOK electronic escutcheons have a built-in card reader on the inner escutcheon that enables users to activate the AMOK function mode in order to lockdown a room quickly. Only authorized users with AMOK privileges on their access plan can activate it.

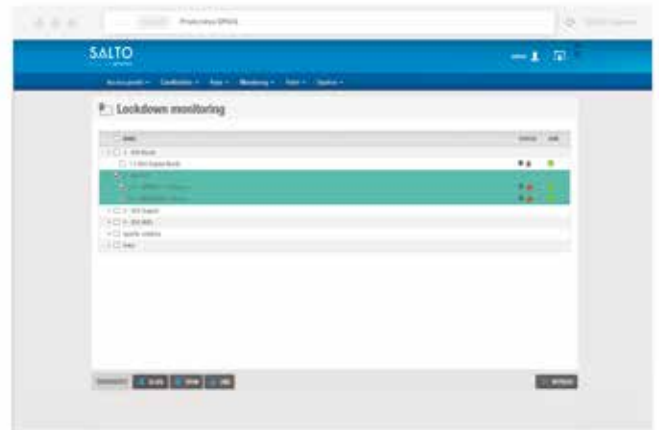
**Feature included in: SPABASIC, SPAONLINE, SPAIDSYS and SPAPART packages.**



## ANTIPASSBACK:

The Antipassback feature establishes a specific sequence in which access cards must be used in order for the system to grant access.

**Feature included in: SPAONLINE, SPAIDSYS and SPAPART packages.**



## AUTOMATIC KEY ASSIGNMENT:

Automatic key assignment is a tool that enables the encoding of key cards directly via a wall reader at the main point of access. This can be done the first time a user presents their card, saving time and the need to queue for card validation.

**Feature included in: SPAONLINE, SPAIDSYS and SPAPART packages.**



## EVENT ENGINE MODULE:

SALTO ProAccess SPACE can now manage specific event-triggered actions and alarms. The Event Engine's intuitive wizard permits programming of any event audit trail or any event-triggered action through the CU42xxx inputs to automatically perform defined actions, such as activating CCTV recording, sending e-mail alert notifications, activating lockdown, etc.

An event can be scheduled or triggered by a user, user group or door event through an audit trail event or XS4 2.0 Controller inputs.

**Function is only available as a separate add-on and is not included in any predefined package.**



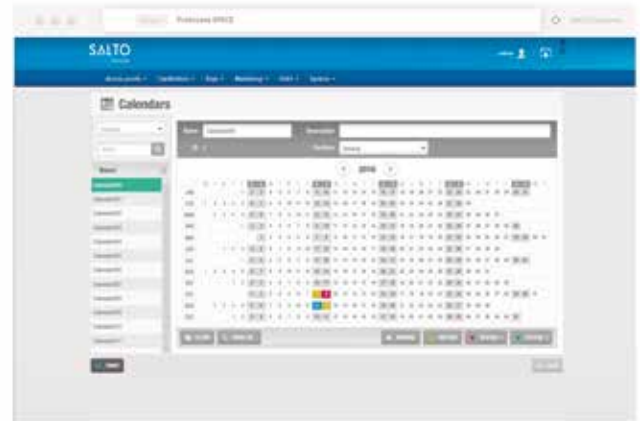
# Administrator



## MATRIX FUNCTIONS AND LOCATIONS:

The combination of users to doors and their different functions can cause occasional keying problems when designing the access plan. The Matrix Access Function simplifies and streamlines the link between users and doors, making access planning simple and straightforward.

**Function is only available as a separate add-on and is not included in any predefined package.**



## VISITOR MANAGEMENT:

The Visitor module enables you to issue visitor cards for a few hours, a few days or for something in between, and all with a built-in cancellation date that will disable the credential automatically.

**Feature included in: SPAIDSYS and SPAPART packages.**



## BADGING:

The SALTO badging module enables users to create templates for card credentials via information from the user's access plan data. The cards can be customized both internally and externally.

**Feature included in: SPAIDSYS and SPAPART packages.**



## LOCKER LOCKS:

As part of the SALTO platform, our XS4 locker locks can also be managed through ProAccess SPACE software. This provides an impressive range of options including free assignment mode, family mode, subject to calendars, etc.; almost unlimited possibilities.

**Feature included in: SPABASIC, SPAONLINE, SPAIDSYS and SPAPART packages.**



## PARTITIONS:

Department operator enables properties to be managed independently but while retaining shared access privileges. Individual buildings can be run by their own managers, controlling their own user's access rights.

**Feature included in: SPAPART packages.**

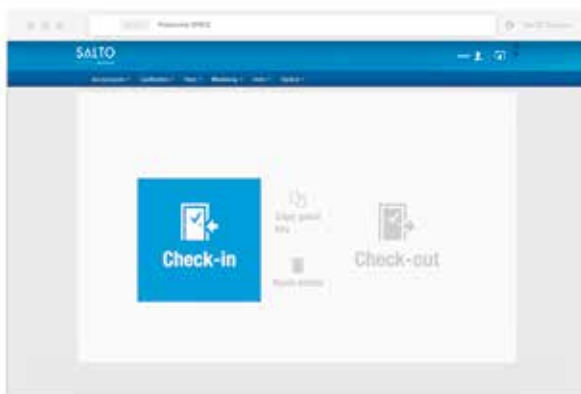
## PROACCESS SPACE | FRONT DESK MANAGEMENT SOFTWARE

For the Hospitality market, SALTO has developed specific Add-ons which allow hotel clients to easily control all their access and guest management needs with one easy-to-use system. It suits hotels of all types and sizes.

These plus other key hotel features make it easy to control all the offline and online guest rooms and back-of-house doors from one central location.

---

## Hospitality Add-ons



---

### MOBILE ACCESS (BLE):

Provide your guests with a hotel experience they value and want to repeat by facilitating their check-in experience without sacrificing their security and comfort.

With ProAccess SPACE it's easy to incorporate mobile access control. Visiting the front desk will soon be a thing of the past with SALTO's revolutionary innovation in guest experiences. Guests can now access their hotel room and bypass the front desk by using their smartphone as a room key; checkout without having to return keys; and extend their stay simply by requesting an extension via their phone. Can be used along with or as a replacement of RFID credentials.

---

### GROUP CHECK-IN:

When guests arrive at a hotel, they want to check in and get started on what they came to do: hang back and relax, or start in on work. That means that all the steps of the check in process need to work flawlessly, from issuing the guest card to guests being able to seamlessly access their room, pool area, spa or other amenities.

With ProAccess SPACE a quickly and fast group check-in is possible, which allow hotel clients to easily control all their access and guest management needs with one easy-to-use system.



---

### REAL-TIME RE-ROOMING / EXTENDED STAY:

Display what's happening around your hotel and take control from the guest room to the rest of your property access points (Back-of-house and guest service doors) in one single system providing security and reliable access control 24/7 that covers the entire property.

SALTO ProAccess SPACE allows the guest to extend their stay or request a room change without having to visit reception, almost instant re-rooming is enacted and the guest's access credentials will give him immediate entry to his new room with better views.

---

### PROPERTY MANAGEMENT SOFTWARE (PMS)

ProAccess SPACE is compatible with leading property management software (PMS) such as Micros FIDELIO, New Hotel, Protel, Infor etc. to validate guest registrations, guide the guest through the check-in/out process and generate guest room keys. Can also be used to manage SALTO Intelligent Energy Saving Devices (ESD).

# Software packages guide information

PROACCESS SPACE | MANAGEMENT SOFTWARE

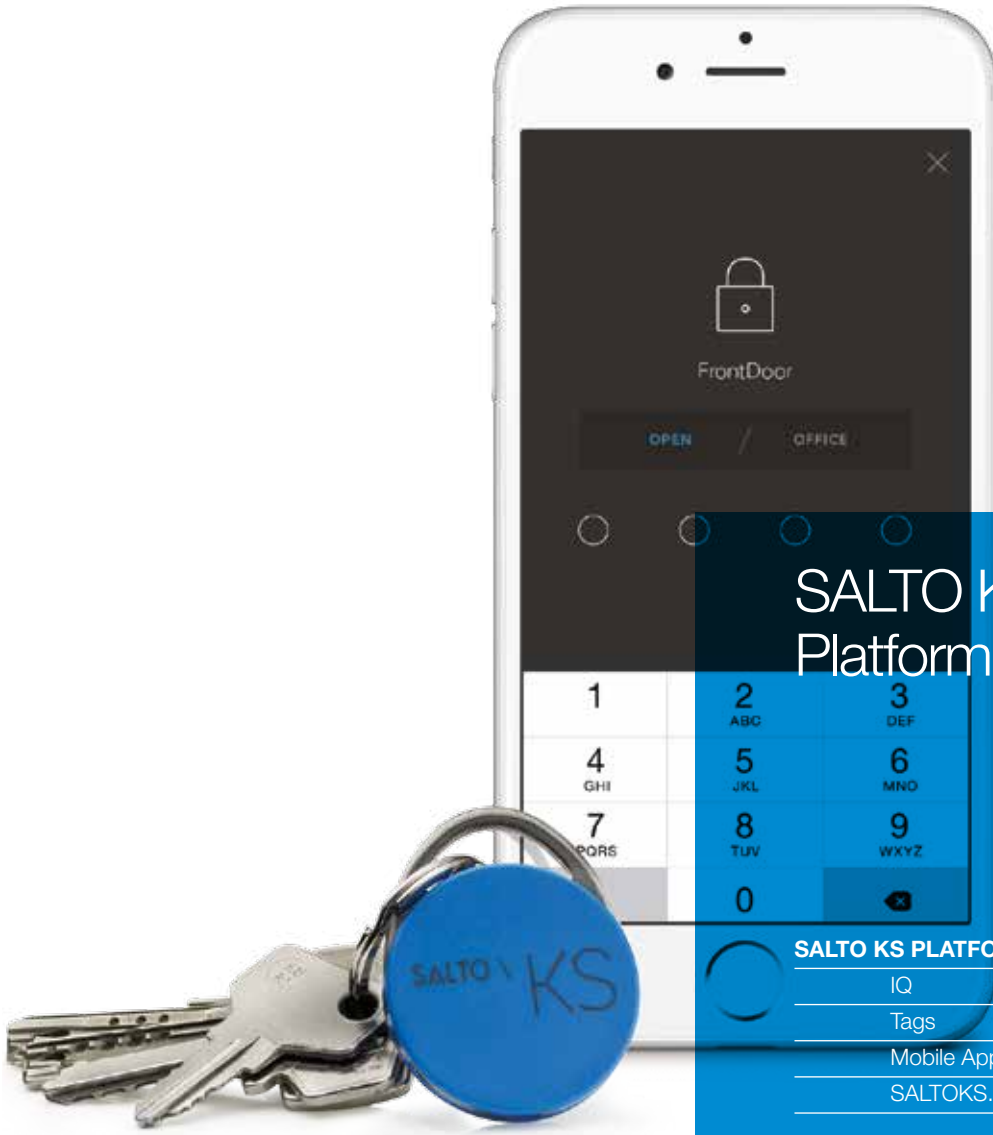
SALTO's ProAccess SPACE web-based software brings a new level of powerful flexibility to access control so that users can order the functionalities that they most need and upgrade accordingly as a system and needs grow. And in addition to the abundance of important new functionalities, SPACE also has a modern interface

that is more user-friendly to help users find and operate the functions they want to use as quickly and intuitively as possible.

	— SPABASIC	— SPAONLINE	— SPAIDSYS	— SPAPART
<b>USERS</b>	4,000,000	4,000,000	4,000,000	4,000,000
<b>DOORS</b>	65,000	65,000	65,000	65,000
<b>EXPIRATION PERIOD</b>	NO EXPIRATION	NO EXPIRATION	NO EXPIRATION	NO EXPIRATION

## FUNCTIONS

	OPT-No. —	— SPABASIC	— SPAONLINE	— SPAIDSYS	— SPAPART
<b>LOCKER</b>	<b>0001</b>	<b>INCLUDED</b>	<b>INCLUDED</b>	<b>INCLUDED</b>	<b>INCLUDED</b>
<b>ONLINE MONITORING</b>	<b>0004</b>	<b>INCLUDED</b>	<b>INCLUDED</b>	<b>INCLUDED</b>	<b>INCLUDED</b>
<b>LOCKDOWN</b>	<b>0005</b>	NOT INCLUDED	<b>INCLUDED</b>	<b>INCLUDED</b>	<b>INCLUDED</b>
<b>ANTIPASSBACK</b>	<b>0006</b>	NOT INCLUDED	<b>INCLUDED</b>	<b>INCLUDED</b>	<b>INCLUDED</b>
<b>EVENT STREAM</b>	<b>0007</b>	NOT INCLUDED	<b>INCLUDED</b>	<b>INCLUDED</b>	<b>INCLUDED</b>
<b>AUTOMATIC KEY ASSIGNMENT</b>	<b>0008</b>	NOT INCLUDED	<b>INCLUDED</b>	<b>INCLUDED</b>	<b>INCLUDED</b>
<b>ROLL CALL</b>	<b>0009</b>	NOT INCLUDED	<b>INCLUDED</b>	<b>INCLUDED</b>	<b>INCLUDED</b>
<b>LIMITED OCCUPANCY</b>	<b>0010</b>	NOT INCLUDED	<b>INCLUDED</b>	<b>INCLUDED</b>	<b>INCLUDED</b>
<b>VISITOR MANAGEMENT</b>	<b>0013</b>	NOT INCLUDED	NOT INCLUDED	<b>INCLUDED</b>	<b>INCLUDED</b>
<b>BADGING MODULE</b>	<b>0012</b>	NOT INCLUDED	NOT INCLUDED	<b>INCLUDED</b>	<b>INCLUDED</b>
<b>DEPARTMENT OPERATOR</b>	<b>0011</b>	NOT INCLUDED	NOT INCLUDED	NOT INCLUDED	<b>INCLUDED</b>



# SALTO KS Platform components

## SALTO KS PLATFORM COMPONENTS

---

IQ

---

Tags

---

Mobile App

---

SALTOKS.com

---

The SALTO KS platform is more than just a locking solution and combining the locks with other devices we can reach a level of convenience and performances higher than the traditional stand-alone access control systems.

---

## IQ

The IQ is the center of the SALTO KS solution. It connects your wireless locks to the SALTO KS cloud. Mount the IQ with the included mount bracket, plug it into the power outlet and activate it in your saltoks.com account.

The SALTO KS Repeater allows you to extend the distance between the SALTO KS IQ and your locks. IQ and locks can be 1 – 10 meters apart but each time you add a Repeater you extend this by 10 metres. You may add 3 repeaters in between an IQ and a lock which means that maximum distance between door and IQ can go up to 40 meters.

---

## Mobile App

Manage SALTO KS on-the-go! Available for IOS and Android Phones the SALTO KS App enables you to manage the access control system when you are on the go and in real time. It offers those features that you want to be able to do whenever and wherever.

---

## Tags

The SALTO KS tag is the smallest of the SALTO KS family but highly secure and just as good-looking. The heart of the tag holds the most secure RFID chip available in the market to make sure that it is impossible to duplicate the tag ID.

---

## SALTOKS.com

The SALTO KS account allows you to define who goes where and when in a building. Create profiles for users, assign or block tags, define which doors they may enter on which days, at which times.



## SALTO KS IQ | CLOUD-BASED LOCKING SOLUTION

The IQ v.1.0 uses M2M cellular connectivity to communicate with SALTO KS access points, and the SALTO KS apps - no wi-fi required.



### FEATURES:

- Wireless radio frequency based on IEEE 802.15.4 at 2,4Ghz.
- AES 128bits encryption.
- Online in real time communication.
- Connectivity in +100 countries.
- Matching adapter included with 3 meter cable.
- Over the Air (OTA) firmware updates.
- TLS secured communication.
- No data outage risk through best roaming guaranty.
- Connects up to 16 doors per SALTO KS IQ.
- Unlimited SALTO KS IQs per account.
- Cellular connection 2G, 3G, 4G.
- Local Access Management (LAM).

### PLATFORMS:



### TECH SPECS :

#### Operation conditions:

-Temperature: 0-40°.

#### 2,4Ghz RF Characteristics:

-Frequency Range: 2405-2480Mhz (ISM band).

-RF Standard: IEEE 802.15.4.

-Indoor Radio Range: 10/15m.

#### GPRS RF Characteristics (SALTO KS IQ only):

-Frequency bands:

- EGSM-GPRS 900/850 radio.

- GSM-GPRS 1800/1900 radio.

- EGPRS 900/850 radio.

- EGPRS 1800/1900 radio.

- GSM/GPRS class 10 and EGPRS class 10 capable.

#### Power supply characteristics

(Only for use with SALTO KS's power supply)

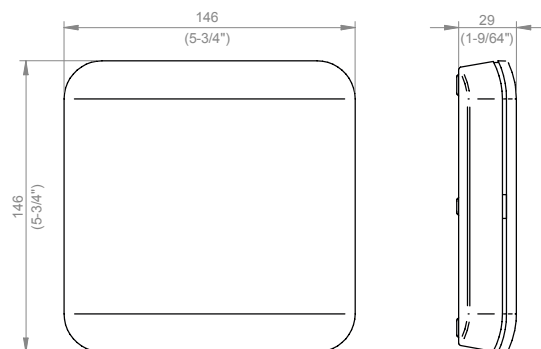
- Input voltage: 12v.

- Max current: 800 mA.

### PRODUCT ATTRIBUTE:

- **It always fits.** The SALTO KS IQ bracket adapts to your situation. Mount it horizontally or vertically, whatever suits best.
- **LED notification.** This means that besides through home.saltoks.com messaging also a visual notification on the device itself will inform you about the well-being of your SALTO KS system. Turn off "Heartbeat" green light on IQ if you prefer.
- **Extend distances.** Add up to 3 SALTO KS Repeaters in line and a maximum of 6 for each SALTO KS IQ between your access point and the SALTO KS IQ.

### TECHNICAL DRAWING:



### CERTIFICATIONS:



# Tags

## SALTO KS TAGS | CLOUD-BASED LOCKING SOLUTION

The SALTO KS tag is the smallest member of the SALTO KS family but highly secure and just as good-looking. The heart of the tag holds the most secure RFID chip available in the market to make sure that it is impossible to duplicate the tag ID.



### FEATURES:

- SALTO KS tags meet ISO Standards
- Battery-free operation.
- Choice of 5 colours.
- Waterproof
- 13,56 Mhz
- Single SALTO KS tag works for multiple SALTO KS systems.
- Secure, copy-proof data carrier for high security.
- Strong, ergonomic design for long life.
- High resistance to variations in weather conditions.
- Comfortable to use - can be carried on a key ring alongside traditional keys.
- SALTO SVN compatible.
- Dual tag available. EM4200 125 kHz chip - Read Only.

### PLATFORMS:



### COLOURS:



### ID TECHNOLOGIES

- DESFire EV1 4K (4096 bytes).
- DESFire EV1 + SVN compatible.
- Dual Tag available: DESFire EV1 + EM4200 125 kHz chip.
- Dual Tag + SVN compatible.

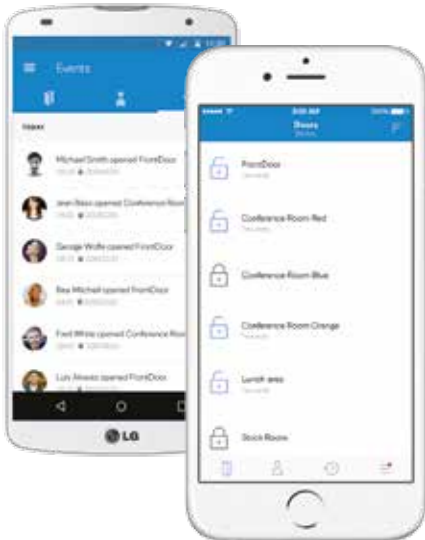
### PRODUCT ATTRIBUTE:

- **Adding tags.** To add tags just select one of your doors and use the secured 2 minute window to present them at the lock.
- **Blocking tags.** In case someone has lost or did not return one of your tags you simply block them via My-SALTO KS. Blocking is real-time without any delay and when you retrieve a tag you simply unblock it.
- **Security.** You can add any SALTO KS tag to your system but once they are added, they belong to that system. The RFID technology used is the same as in many governmental and military applications and uses AES algorithm.
- **1 Tag : 5 colors.** No one is alike and SALTO KS understands. That's why the tag will be available in 5 different colors.

# Mobile App

SALTO KS APP | CLOUD-BASED LOCKING SOLUTION

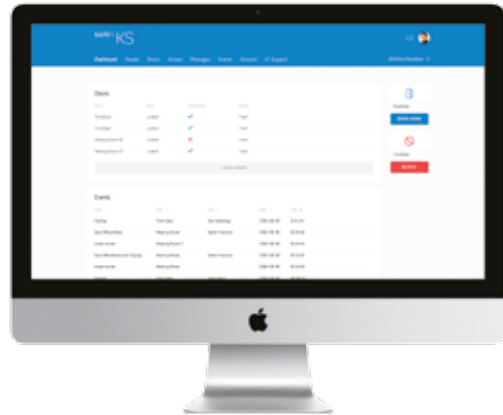
Manage SALTO KS on-the-go! Available for IOS and Android Phones the SALTO KS app enables you to manage the access control system when you are on the go and in real time. It offers those features that you want to be able to do whenever and wherever.



# Web Application

SALTOKS.COM | CLOUD-BASED LOCKING SOLUTION

The SALTO KS account allows you to define who goes where and when in a building. Create profiles for users, assign or block tags, define which doors they may enter on which days, at which times.



---

## PRODUCT ATTRIBUTE:

- **Remote Opening.** One of the cool but really functional features of SALTO KS is the remote opening of doors with secure one-time-password technology. You may not use it everyday but when you need it, you will be happy it's there.
- **Multiplatform.** You can manage SALTO KS cloud-based access control from any device – phone, tablet, pc - all you need is an online device with an Internet connection.
- **Reliability.** Ensuring real-time monitoring and solving immediately any issues caused.

---

## MOBILE APP AVAILABLE FROM STORE:

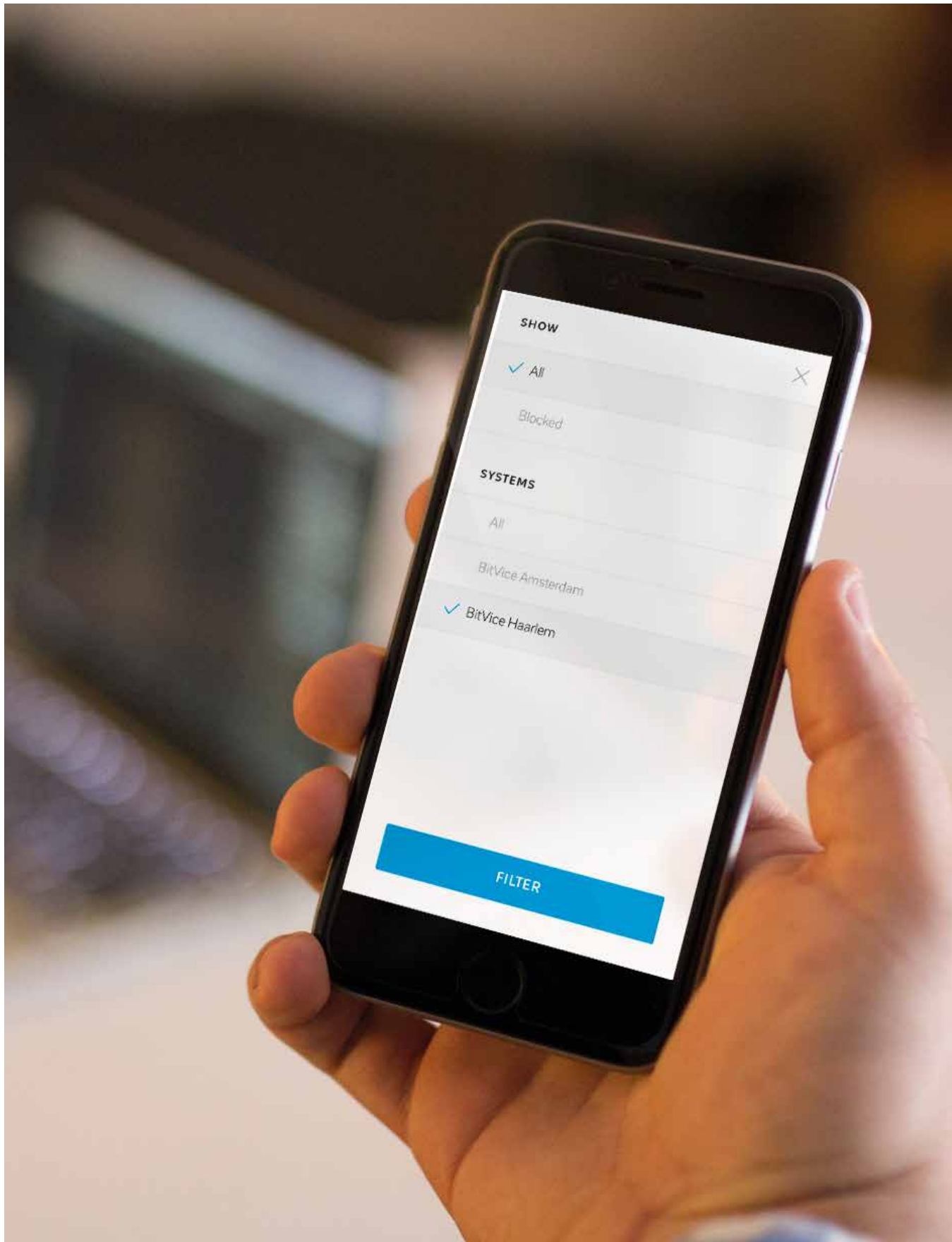


---

## PRODUCT ATTRIBUTE:

- **The Dashboard.** Saltoks.com always gives you up-to-date information and remote management of all users and access points through the dashboard.
- **Access rights, who, where, when...** What no conventional key can do is changing access rights on the fly. Saltoks.com gives you the opportunity to individually determine who enters when and where. And if you want to change that just log-in, make your changes and it's done. No updating of tag or access point required. Have you ever been able to do this with your current lock?
- **Messaging.** Saltoks.com always gives you up-to-date information and remote management of all system components through the dashboard. It's all there: door status, last entries and events, alarms and the possibility to open and lock doors remotely.
- **Security.** SALTO understands the importance of security. That's why we have incorporated state-of-the-art security measures in all our components and more important, we will keep updating that permanently. Not always visible but always there.
- **Multiplatform.** You can manage SALTO KS from any device – phone, tablet, pc - all you need is an online device with an Internet connection.







## About us

**At SALTO we are very focused on listening to the market and to our customers, wherever they may be, to ensure that we understand how to best offer value-added solutions. It is this level of service and support that differentiates SALTO, and it is also why SALTO products can be found in over 90 countries around the world.**

### OUR COMMITMENT TO BEST SERVICE

**To ensure we deliver the very best possible service, SALTO needs to be where our customers are.**

This is why SALTO has its own offices in Australia, Belgium, Canada, China, Colombia, Czech Republic, Denmark, France, Finland, Germany, Hon Kong, Italy, Mexico, The Netherlands, Norway, Poland, Portugal, Singapore, Slovak Republic, Spain, South Africa, Switzerland, UAE, UK and USA.

Our office network will continue to grow to make certain that SALTO provides unrivalled levels of warranty support and service.

### SALTO PARTNER NETWORK

**As well as our SALTO offices, we also have a specialized partner network in over 90 countries.**

These offices count on expertise from specialists in the security industry who share the same values of enthusiasm and commitment as SALTO, and who are ready to provide customers with the very best support and service.

SALTO's official partners are all security specialists.



### THE ACCESS CONTROL PARTNER YOU CAN RELY ON

**At SALTO we have all key activities in-house, from product conception and design, right up through the final manufacturing and shipping processes.**

This continuity allows SALTO to warranty our products to the highest quality standards, thereby giving our customers the flexibility, delivery and peace of mind they require.

At SALTO, we believe this type of direct control best enables us to continue to develop, launch and support the most effective access control solutions available.

SALTO is ISO 9001:2015 and ISO 14001 certified, demonstrating that rigorous quality and environmental management systems are in place to ensure the design, development and manufacture of our electronic access control products always strive to achieve the highest possible standards in quality, as required by our customers.

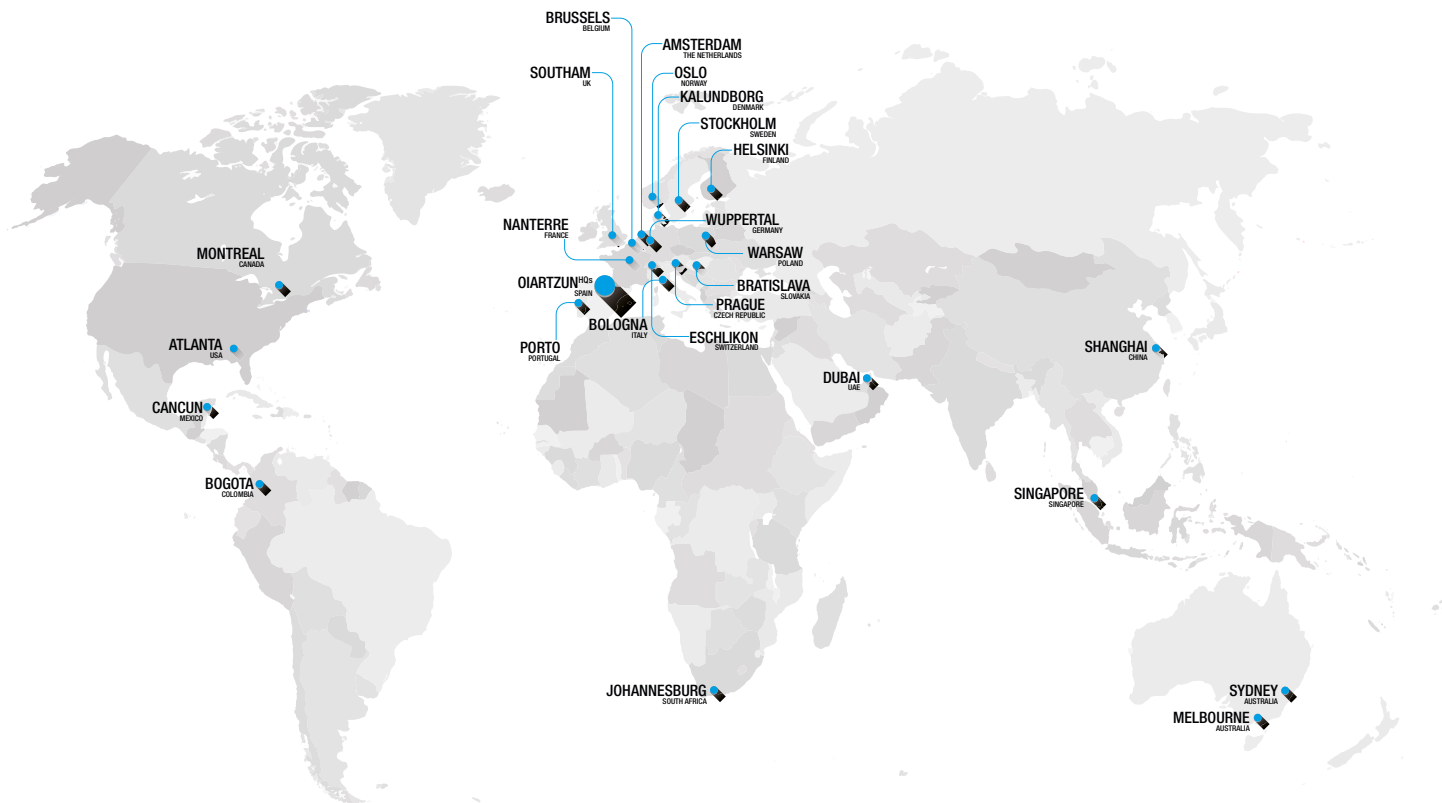
### SOCIAL RESPONSIBILITY (CSR)

**SALTO Systems takes very seriously its responsibility to play a leading role in the social development of the local community around its many offices throughout the world.**

In 2005 this effort was channelled into creating the free2move.org social initiative that works to promote handicapped sport as a means of achieving greater social integration, and thereby defying the assumption that people with a physical disability cannot lead a life of excellence and achievement.

**[www.free2move.org](http://www.free2move.org)**

Find us on Facebook - Instagram - Twitter & YouTube | @free2moveorg



**SALTO Systems HQ, Spain**

Oiartzun, Spain  
 Tel.: +34 943 344 550  
 email: info@saltosystems.com  
 www.saltosystems.com

**SALTO Systems, UK**

Southam, United Kingdom  
 Tel.: +44 01926 811979  
 email: info.uk@saltosystems.com  
 www.saltosystems.co.uk

**SALTO Systems, USA**

Norcross GA / New York NY, USA  
 Tel.: +1 770 452 6091  
 email: info.us@saltosystems.com  
 www.salto.us

**SALTO Systems, Canada**

Vaudreuil-Dorion QC, Canada  
 Tel.: +1 514 616 2586  
 email: info.ca@saltosystems.com  
 www.saltosystems.ca

**SALTO Systems, Mexico**

Cancún, México  
 Tel.: +52 (998) 892 8752  
 email: info.mx@saltosystems.com  
 www.saltosystems.co.mx

**SALTO Systems, Colombia**

Bogota, Colombia  
 Tel.: +57 320 924 3634  
 email: info.co@saltosystems.com  
 www.saltosystems.com

**SALTO Systems, Australia**

Waterloo / Sydney, Australia  
 Tel.: +61 (0)2 9319 3393  
 email: info.au@saltosystems.com  
 www.saltosystems.com.au

**SALTO Systems, Middle East**

Dubai, United Arab Emirates  
 Tel.: +971 4399 5770  
 email: info.me@saltosystems.com  
 www.saltosystems.com

**SALTO Systems, France**

Nanterre, France  
 Tel.: +33 (0)1 55 17 13 70  
 email: info.fr@saltosystems.com  
 www.saltosystems.fr

**SALTO Systems, Germany**

Wuppertal, Deutschland  
 Tel.: +49 (0)202/ 769 579-0  
 email: info.de@saltosystems.com  
 www.saltosystems.de

**SALTO Systems, Switzerland**

Eschlikon, Switzerland  
 Tel.: +41 71 973 72 72  
 email: info.ch@saltosystems.com  
 www.saltosystems.ch

**SALTO Systems, Netherlands**

Amsterdam, The Netherlands  
 Tel.: +31 206 353 100  
 email: info.nl@saltosystems.com  
 www.saltosystems.nl

**SALTO Systems, Belgium**

Brussels, Belgium  
 Tel.: +32 25 88 50 68  
 email: info.be@saltosystems.com  
 www.saltosystems.be

**SALTO Systems, Poland**

Warszawa, Polska  
 Tel.: +48 609 01 7777  
 email: info.pl@saltosystems.com  
 www.saltosystems.pl

**SALTO Systems, Slovakia**

Bratislava, Slovakia  
 Tel.: +421 915 579 500  
 email: info.sk@saltosystems.com  
 www.saltosystems.com

**SALTO Systems, Czech Republic**

Prague, Czech Republic  
 Tel.: +420 734 258 882  
 email: info.cz@saltosystems.com  
 www.saltosystems.com

**SALTO Systems, Denmark**

Kalundborg, Denmark  
 Tel.: +45 48 44 88 11  
 email: info.dk@saltosystems.com  
 www.saltosystems.dk

**SALTO Systems, Norway**

Jessheim, Norway  
 Tel.: +47 63 95 40 20  
 email: info.no@saltosystems.com  
 www.saltosystems.no

**SALTO Systems, Sweden**

Stockholm / Malmö, Sweden  
 Tel.: +46 8-775 87 00  
 email: info.se@saltosystems.com  
 www.saltosystems.se

**SALTO Systems, Finland**

Vantaa, Finland  
 Tel.: +45 48 44 88 11  
 email: info.fi@saltosystems.com  
 www.saltosystems.fi

**SALTO Systems, Italy**

Bologna, Italy  
 Tel.: +39 051 72 77 98  
 email: info.it@saltosystems.com  
 www.saltosystems.it

**SALTO Systems, Portugal**

Lisboa / Porto, Portugal  
 Tel.: +351 220 937 508  
 email: info.pt@saltosystems.com  
 www.saltosystems.com

**SALTO Systems, Singapore**

Singapore  
 Tel.: +65 6557 22 55  
 email: info.sg@saltosystems.com  
 www.saltosystems.com

**SALTO Systems, China**

Shanghai, China  
 Tel.: +86 (21) 3157 6115  
 email: info.cn@saltosystems.com  
 www.saltosystems.com

**SALTO Systems, Hong Kong**

Hong Kong  
 Tel.: +852 2855 6981  
 email: info.hk@saltosystems.com  
 www.saltosystems.com

**SALTO Systems, South Africa**

Johannesburgo, South Africa  
 Tel.: +27 (83) 293 07 96  
 email: info.za@saltosystems.com  
 www.saltosystems.com



# SALTO

inspired access

The access control company you can rely on:  
[www.saltosystems.com](http://www.saltosystems.com)

