

//DATASHEET

SALTO KS Escutcheon | WIRELESS Electronic Escutcheons

SALTO KS is the new access control platform from SALTO enabling users to control and manage a greater range of applications than ever before. Smart, secure and innovative, SALTO KS electronic handle sets need no hard wiring and provide a truly wire-free networked electronic locking solution with a great range of features.

EUROPEAN ESCUTCHEON Ex4/5/6

SALTO \ KS
Keys as a Service



SALTO KS

WIRELESS ELECTRONIC LOCKS

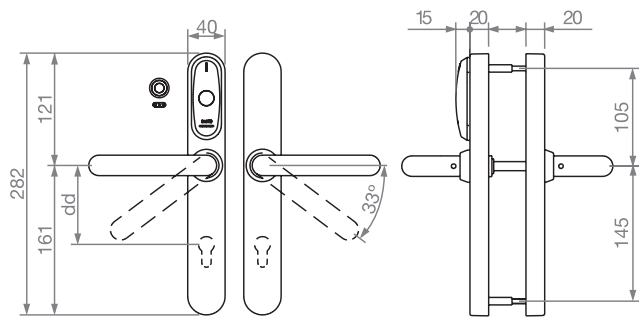
SALTO KS

FOR EUROPEAN MORTISE LOCKS

The SALTO KS narrow body version is specially designed to fit most Euro profile doors, even narrow profile framed doors. This version also works with the majority of European mortise locks and cylinders.

SALTO KS E40: NARROW BODY VERSION

XS4 E40 NARROW BODY VERSION



MAIN FEATURES:

- Clutch mechanism escutcheon when unlocked handle moves free.
- SALTO KS wireless version for wireless real-time control.
- Door status detector to monitor intrusions or door left open status.
- Body and escutcheon made of steel.
- Dimensions: 282mm x 40mm x 20mm.
- Handle rotation: 33°.
- Door thickness compatibility: 30mm to 115mm.
- Distance from the handle to the cylinder: 47mm to 110mm.
- Compatible with DIN mortise locks, European mortise locks and narrow style mortise lock.
- Compatible with European profile cylinders and Swiss profile cylinders.
- Square spindles available: 7mm, 7,6mm split, 8mm, 8mm split, 9mm and 9mm split.
- Mechanical override available.
- Emergency opening: SALTO KS Emergency Power Supply device.
- IP55 compliant (external escutcheon).
- Fire resistant EN1634 compliant Ei120 EI 120 Fire Resistant.
- UL 10C Compliant (90min wooden doors).
- Fire resistant AS1530,4 compliant (120min).

MECHANICAL ASPECTS:

- Dimensions: 282mm x 40mm x 20mm.
- Weight: 1.5kg.
- Handle turning angle: 33°.
- Door thickness compatible: 30mm to 115mm.
- Distance from the handle to the cylinder: 47mm to 110mm.
- Handle clutch mechanism.
- Inside always allows free egress (anti panic in combination with lock).
- Concealed fixing screws for greater security and improved aesthetics.
- Body and escutcheon made of steel.
- Handle fixed by Steady Fix system (patented).
- Handles compatible: 16mm Ø, 18mm Ø.
- High security through hardened high resistance anti-drill plates to protect wires and reader area and additional extreme protection through hardened axes and floating steel balls in the handle area.

MORTISE LOCK & CYLINDER COMPATIBILITY:

- DIN Locks
- European Locks
- Metal millwork
- European cylinders
- Swiss cylinders
- Some tubular latches

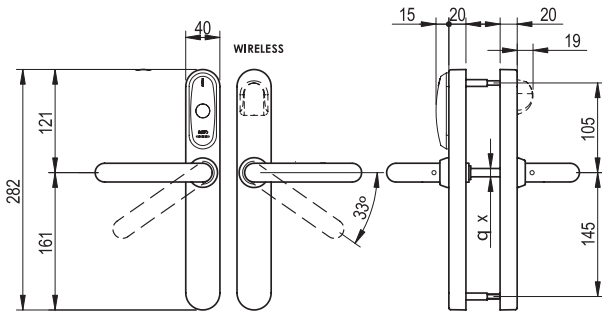
SQUARED SPINDLE COMPATIBILITY:

- 7mm, 8mm & 9mm.
- 7.6mm split, 8mm split, 9mm split.

E40: MODELS

MODEL 50:

2 handles any type.

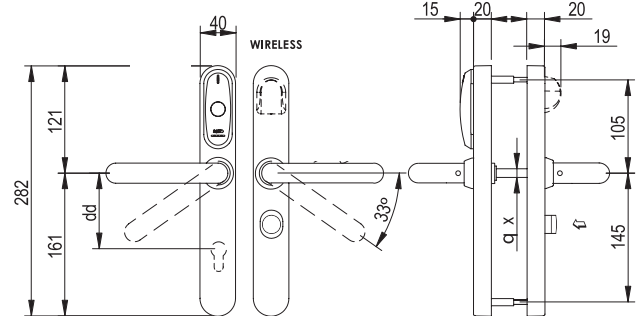


MODEL 57:

2 handles any type.

Outside cylinder cut out.

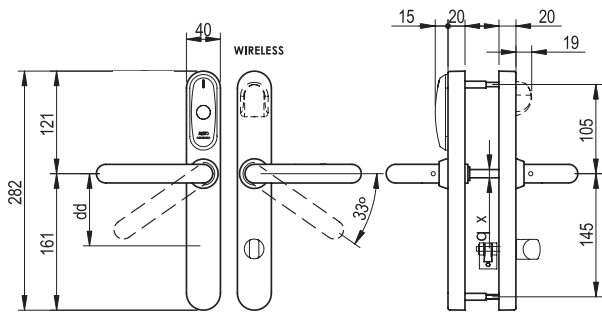
Electronic “do not disturb” system (Not available in self-programmable).



MODEL 51:

2 handles any type.

Inside thumbturn.

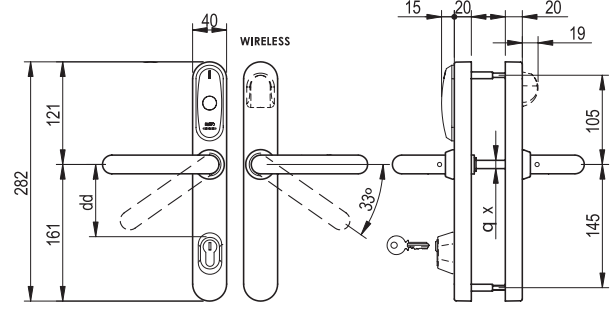


MODEL P0:

2 handles any type.

Built in mechanical override with audit.

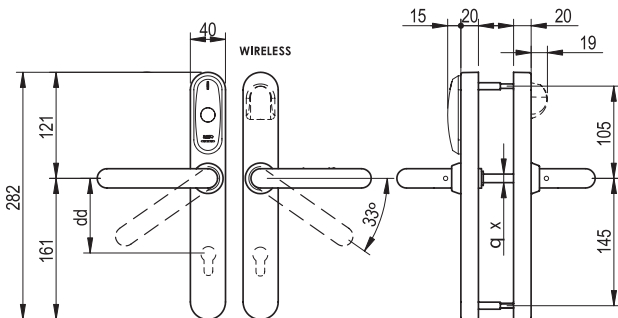
(Ex4P0 reference: Euro profile cylinder 30-10).



MODEL 52/53/54:

2 handles any type.

Inside (models 52 / 53) / (models 54) Outside cylinder cut out.



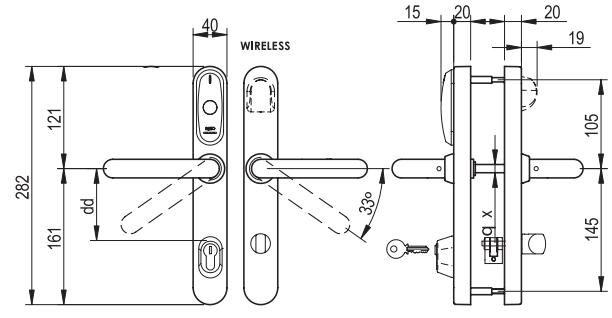
MODEL P1:

2 handles any type.

Inside thumbturn.

Built in mechanical override with audit.

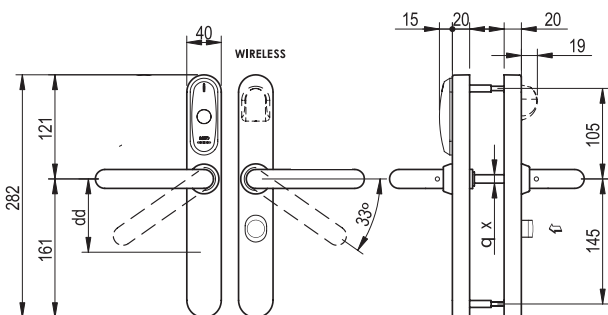
(Ex4P1 reference: Euro profile cylinder 30-10).



MODEL 56:

2 handles any type.

Electronic “do not disturb” system (Not available in selfprogrammable).



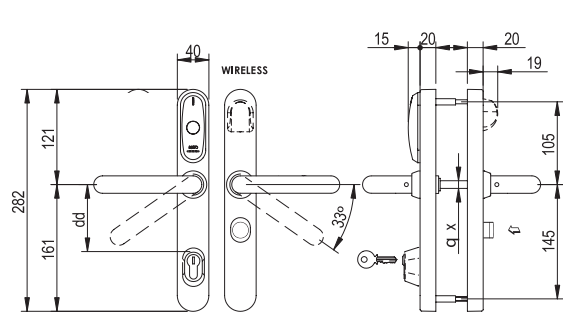
MODEL P6:

2 handles any type.

Electronic “do not disturb” system

Built in mechanical override with audit.

(Ex4P6 reference: Euro profile cylinder 30-10).

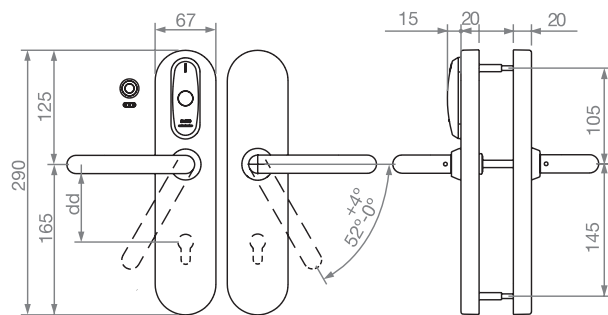


SALTO KS WIRELESS ELECTRONIC LOCKS SALTO KS FOR EUROPEAN MORTISE LOCKS

The SALTO KS wide version is specially designed to fit most Euro profile doors, and work with the majority of European mortise locks and cylinders. It is specially designed for use on busy, high traffic doors that need additional strength.

SALTO KS E60: WIDE BODY VERSION

XS4 E60 WIDE BODY VERSION



MAIN FEATURES:

- Clutch mechanism escutcheon when unlocked handle moves free.
- SALTO KS wireless version for wireless real-time control.
- Door status detector to monitor intrusions or door left open status.
- Body and escutcheon made of steel.
- Dimensions: 290mm x 67mm x 20mm.
- Handle rotation: 60°.
- Door thickness compatibility: 30mm to 115mm.
- Distance from the handle to the cylinder: 47mm to 110mm.
- Compatible with DIN mortise locks, European mortise locks and narrow style mortise lock.
- Compatible with European profile cylinders and Swiss profile cylinders.
- Square spindles available: 7mm, 7,6mm split, 8mm, 8mm split, 9mm and 9mm split.
- Mechanical override available.
- Emergency opening: SALTO KS Emergency Power Supply device..
- IP55 compliant (external escutcheon).
- Fire resistant EN1634 compliant Ei120 EI 120 Fire Resistant.
- Fire resistant AS1530,4 compliant (120min).

MECHANICAL ASPECTS:

- Dimensions: 290mm x 67mm x 20mm.
- Weight: 1.5kg.
- Handle turning angle: 52°.
- Door thickness compatible: 30mm to 115mm.
- Distance from the handle to the cylinder: 47mm to 110mm.
- Handle clutch mechanism.
- Inside always allows free egress (anti panic in combination with lock).
- Concealed fixing screws for greater security and improved aesthetics.
- Body and escutcheon made of steel.
- Handle fixed by Steady Fix system (patented).
- Handles compatible: 16mm Ø, 18mm Ø.
- High security through hardened high resistance anti-drill plates to protect wires and reader area and additional extreme protection through hardened axes and floating steel balls in the handle area.

MORTISE LOCK & CYLINDER COMPATIBILITY:

- DIN Locks
- European Locks
- Metal millwork
- European cylinders
- Swiss cylinders
- Some tubular latches

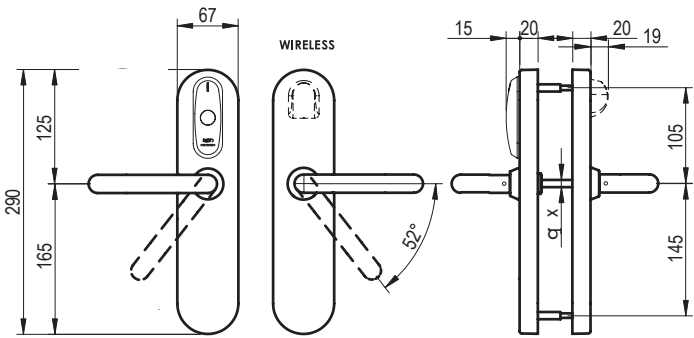
SQUARED SPINDLE COMPATIBILITY:

- 7mm, 8mm & 9mm.
- 7.6 mm split, 8mm split, 9mm split

E60: MODELS

MODEL 50:

2 handles any type.

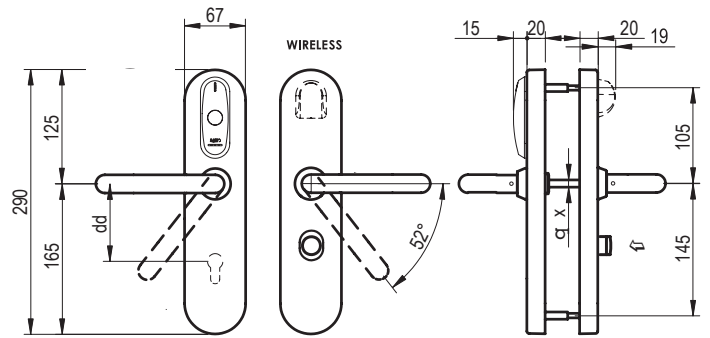


MODEL 57:

2 handles any type.

Outside cylinder cut out.

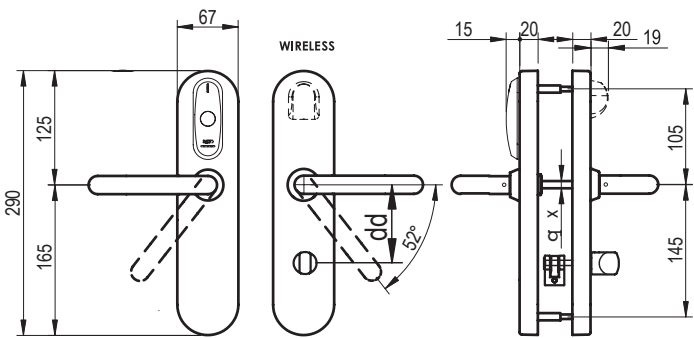
Electronic “do not disturb” system (Not available in self-programmable).



MODEL 51:

2 handles any type.

Inside thumbturn.

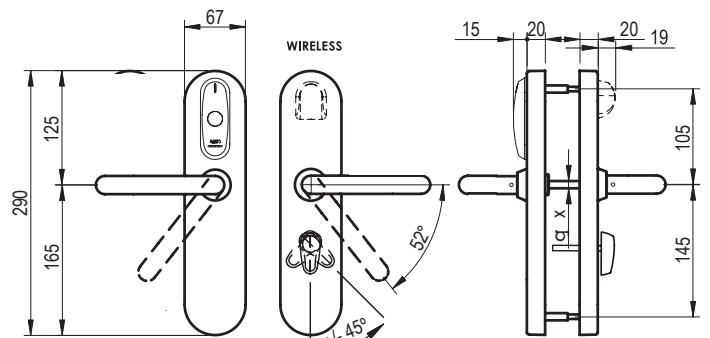


MODEL 58:

2 handles any type.

Inside thumbturn.

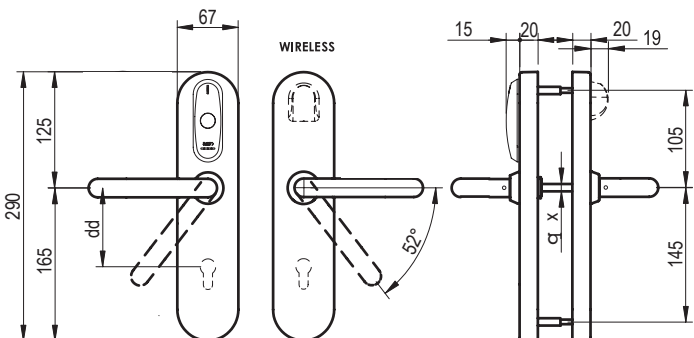
(RETROFIT Type: ANSI Inverted Position)



MODEL 52/53/54:

2 handles any type.

Inside (models 52 / 53) / (models 54) Outside cylinder cut out.

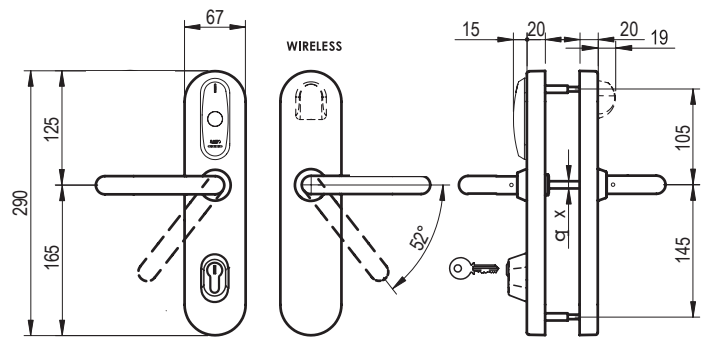


MODEL P0:

2 handles any type.

Built in mechanical override with audit.

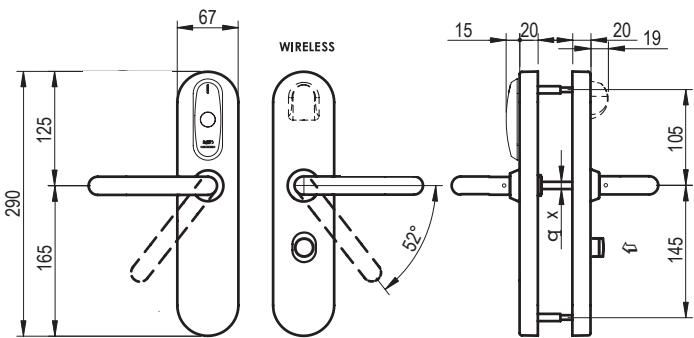
(Ex6P0 reference: Euro profile cylinder 30-10).



MODEL 56:

2 handles any type.

Electronic “do not disturb” system (Not available in self-programmable).

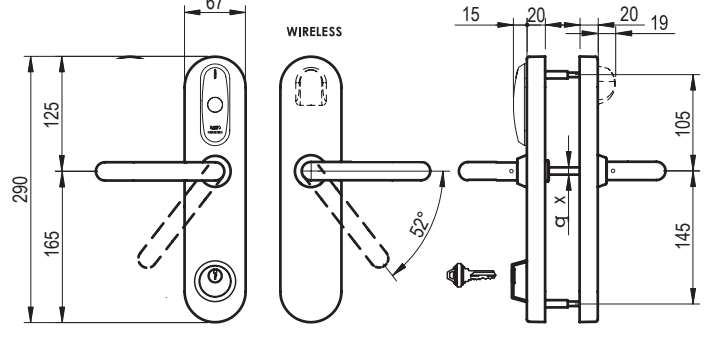


MODEL 60:

2 handles any type.

Built in mechanical override with audit.

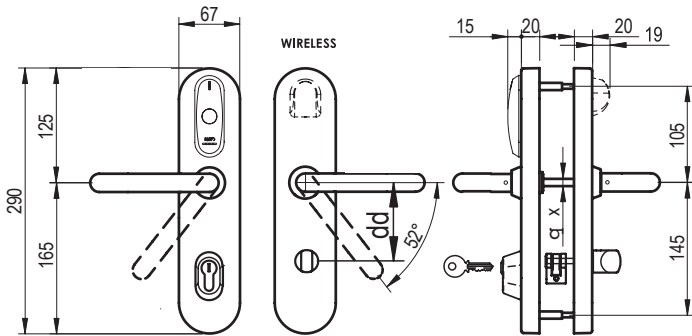
(Ex660 reference: Mortise cylinder 1 1/8”).



E60: MODELS

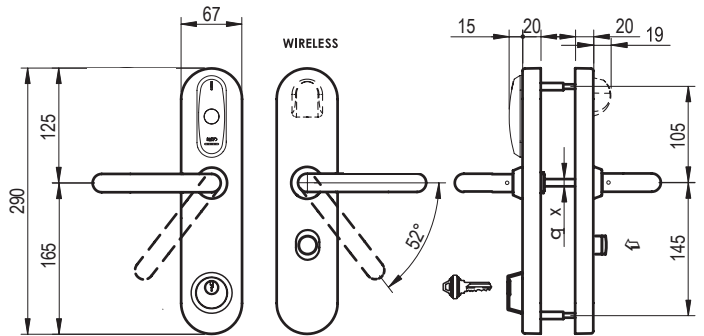
MODEL P1:

2 handles any type.
 Inside thumbturn.
 Built in mechanical override with audit.
 (Ex6P1 reference: Euro profile cylinder 30-10).



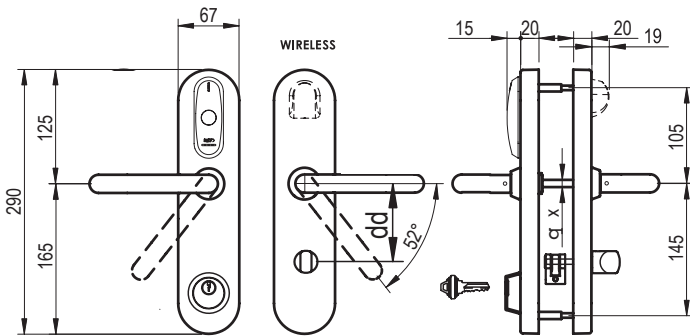
MODEL 66:

2 handles any type.
 Electronic “do not disturb” system (Not available in self-programmable).
 Built in mechanical override with audit.
 (Ex666 reference: Mortise cylinder 1 1/8”).



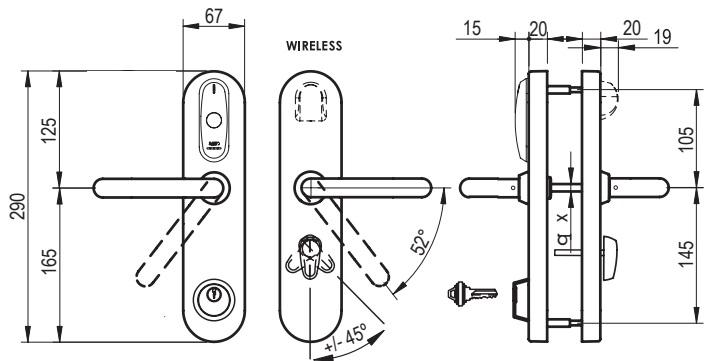
MODEL 61:

2 handles any type.
 Inside thumbturn.
 Built in mechanical override with audit.
 (Ex661 reference: Mortise cylinder 1 1/8”).



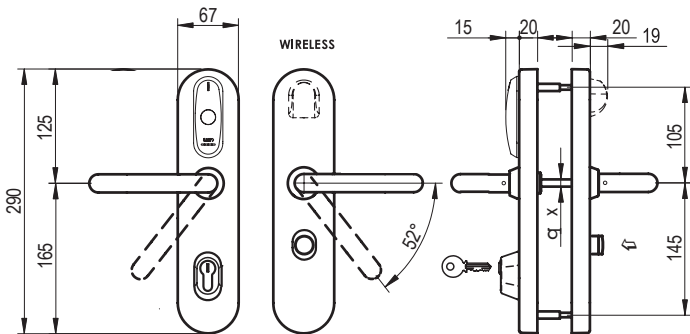
MODEL 68:

2 handles any type.
 Inside thumbturn. (RETROFIT Type: ANSI Inverted Position)
 Built in mechanical override with audit.
 (Ex668 reference: Mortise cylinder 1 1/8”).



MODEL P6:

2 handles any type.
 Electronic “do not disturb” system (Not available in self-programmable).
 Built in mechanical override with audit.
 (Ex6P6 reference: Euro profile cylinder 30-10).



SALTO KS

WIRELESS ELECTRONIC LOCKS

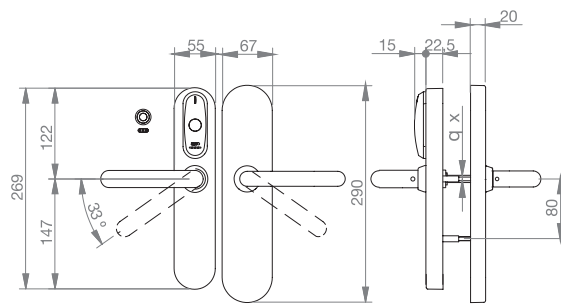
SALTO KS

FOR EUROPEAN DIN MORTISE LOCKS

SALTO has developed this new stand-alone electronic escutcheon to meet the requirements of DIN 18251 standard doors prepared for DIN 18250 standard mortise locks. The new escutcheon range maintains the fire rating of the door as no additional drilling of the door is required, and its completely compatible with the DIN 18251 standard fixing instructions.

SALTO KS E50: DIN STANDARD VERSION

XS4 E50 DIN STANDARD VERSION



MAIN FEATURES:

- Clutch mechanism escutcheon when unlocked handle moves free.
- SALTO KS wireless version for wireless real-time control.
- Door status detector to monitor intrusions or door left open status.
- For DIN Standard doors 18251 (Rose or short plate configuration depending on the models).
- Body and escutcheon made of steel.
- Dimensions: 269mm x 55mm x 22,5mm.
- Handle rotation: 30°.
- Door thickness compatibility: 30mm to 120mm.
- Distance from the handle to the cylinder: 72mm or 92mm.
- Compatible with DIN 18250 mortise locks.
- Compatible with European profile cylinders.
- Square spindles available: 8mm and 9mm.
- Emergency opening: SALTO KS Emergency Power Supply device.
- IP55 compliant (external escutcheon).
- E N1634-2 EI 120 Fire Resistant.
- DIN 18273 compliant.

MECHANICAL ASPECTS:

- Dimensions: 282mm x 40mm x 20mm.
- Weight: 1.5kg.
- Handle turning angle: 33°.
- Door thickness compatible: 30mm to 115mm.
- Distance from the handle to the cylinder: 47mm to 110mm.
- Handle clutch mechanism.
- Inside always allows free egress (anti panic in combination with lock).
- Concealed fixing screws for greater security and improved aesthetics.
- Body and escutcheon made of steel.
- Handle fixed by Steady Fix system (patented).
- Handles compatible: 16mm Ø, 18mm Ø.
- High security through hardened high resistance anti-drill plates to protect wires and reader area and additional extreme protection through hardened axes and floating steel balls in the handle area.

MORTISE LOCK & CYLINDER COMPATIBILITY:

- DIN Mortise locks

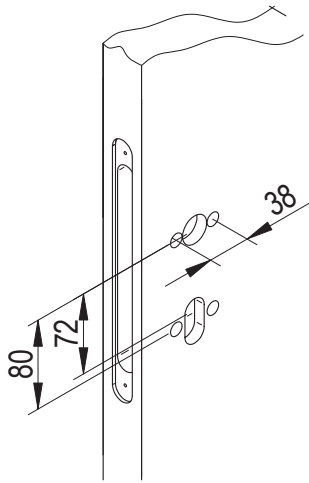
SQUARED SPINDLE COMPATIBILITY:

- 7mm, 8mm & 9mm.
- 7.6 mm split, 8mm split, 9mm split

DOOR SET UP COMPATIBILITY

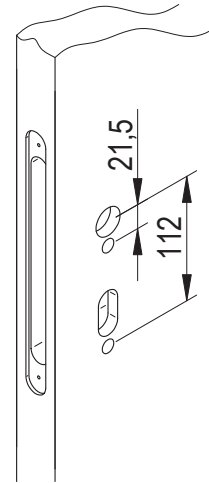
EI5XXROXX

Door configuration type "Rose"



EI5XXSHXX

Door configuration type "Short plate"

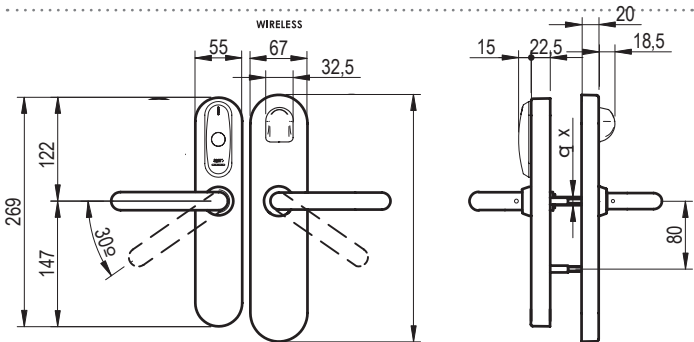


E40: MODELS AVAILABLE

MODEL 50:

2 handles any type.

(available in SH and RO door preparation)



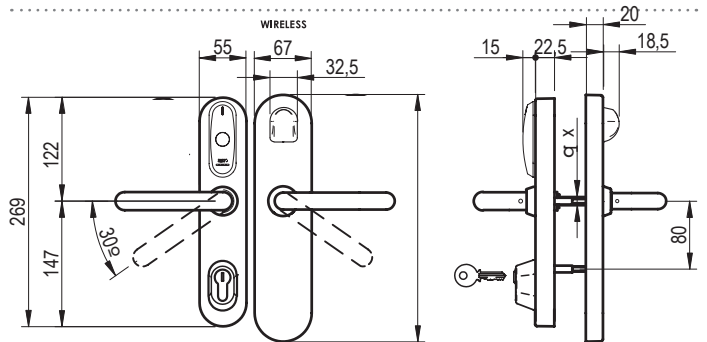
MODEL P0:

2 handles any type.

Built in mechanical override with audit.

(Ex5P0 reference: Euro profile cylinder 30-10).

(available in SH and RO door preparation)

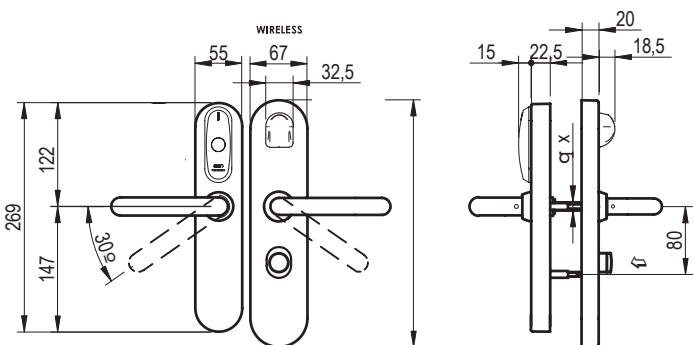


MODEL 56:

2 handles any type.

Electronic "do not disturb" system (Not available in self-programmable).

(available in RO door preparation)



MODEL P6:

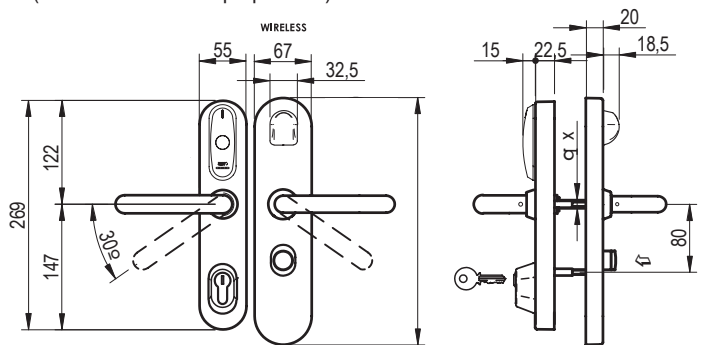
2 handles any type.

Electronic "do not disturb" system (Not available in self-programmable)

Built in mechanical override with audit.

(Ex5P6 reference: Euro profile cylinder 30-10).

(available in RO door preparation)



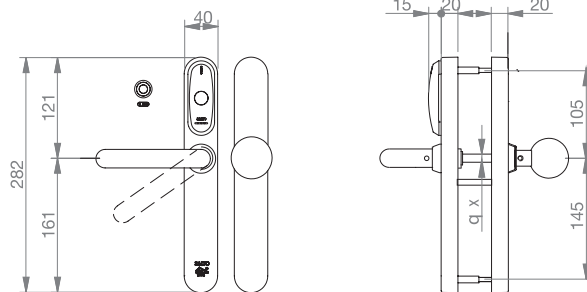
SALTO KS WIRELESS ELECTRONIC LOCKS

SALTO KS FOR EUROPEAN SKG** DOORS

Designed to suit the needs of those doors that require special reinforcement or SKG certification against burglary.

SALTO KS E4K0: SKG** VERSION

XS4 E4K0 SKG** VERSION



MAIN FEATURES:

- Clutch mechanism escutcheon when unlocked handle moves free.
- SALTO KS wireless version for wireless real-time control.
- Door status detector to monitor intrusions or door left open status.
- Body and escutcheon made of steel.
- Dimensions: 282mm x 40mm x 20mm.
- Handle rotation: 33°.
- Door thickness compatibility: 30mm to 115mm.
- Distance from the handle to the cylinder: 47mm to 110mm.
- Compatible with DIN mortise locks, European mortise locks and narrow style mortise lock.
- Compatible with European profile cylinders and Swiss profile cylinders.
- Square spindles available: 8mm, 8mm split, 9mm and 9mm split.
- Emergency opening: SALTO KS Emergency Power Supply device.
- IP55 compliant (external escutcheon).
- SKG** compliant (in combination with the correct mortise lock and cylinders).

MECHANICAL ASPECTS:

- Dimensions: 282mm x 40mm x 20mm.
- Weight: 1.5kg.
- Handle turning angle: 33°.
- Door thickness compatible: 30mm to 115mm.
- Distance from the handle to the cylinder: 47mm to 110mm.
- Handle clutch mechanism.
- Inside always allows free egress (anti panic in combination with lock).
- Concealed fixing screws for greater security and improved aesthetics.
- Body and escutcheon made of steel.
- Handle fixed by Steady Fix system (patented).
- Handles compatible: 16mm Ø, 18mm Ø.
- High security through hardened high resistance anti-drill plates to protect wires and reader area and additional extreme protection through hardened axes and floating steel balls in the handle area.

MORTISE LOCK & CYLINDER COMPATIBILITY:

- DIN Locks.
- Metal millwork.

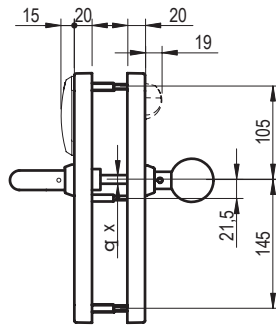
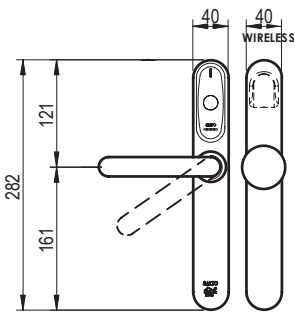
SQUARED SPINDLE COMPATIBILITY:

- 8mm & 9mm.
- 7.6 mm split, 8mm split, 9mm split.

E4K0: MODELS

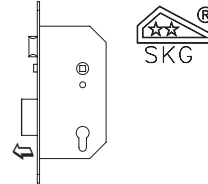
MODEL K0:

2 handles any type.



IMPORTANT

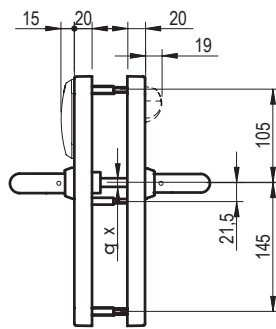
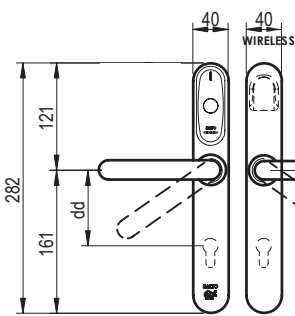
SKG ** Automatic dead bolt through mortise lock needed



MODEL K2:

2 handles any type.

Inside and Outside cylinder cut out.

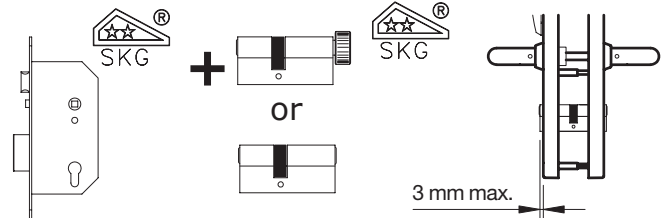


IMPORTANT

SKG ** no panicfunction mortise lock needed

SKG ** mechanical cylinder needed

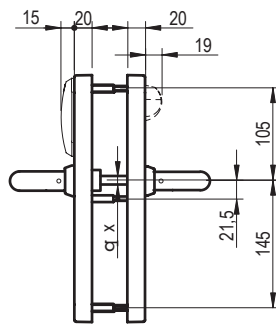
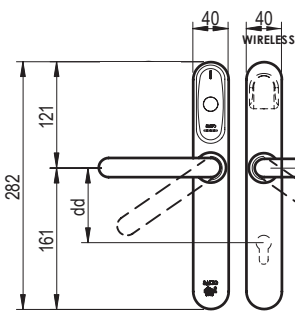
Maximum of 3mm distance from the escutcheon to the top of the cylinder



MODEL 5K3

2 handles any type.

Inside cylinder cut out.

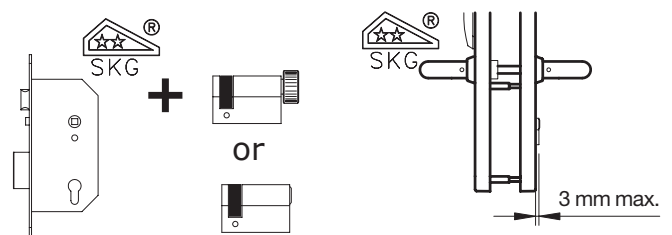


IMPORTANT

SKG ** no panic function mortise lock needed

SKG ** mechanical cylinder needed

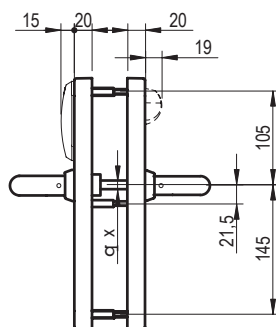
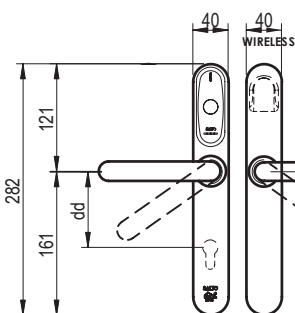
Maximum of 3mm distance from the escutcheon to the top of the cylinder



MODEL K4:

2 handles any type.

Outside cylinder cut out.

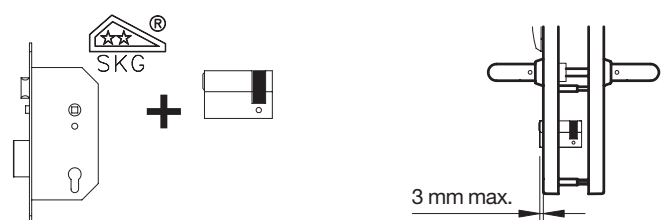


IMPORTANT

SKG ** no panic function mortise lock needed

SKG ** mechanical cylinder needed

Maximum of 3mm distance from the escutcheon to the top of the cylinder



TECHNICAL DATA:

CURRENT REQUIRED:

Models Sx4

- 3 alkaline LR03 AAA 1,5V. batteries optional FR03 lithium batteries

Models Sx6

- 3 alkaline LR6 AA 1,5V. batteries optional FR6 - AA1,5V. lithium batteries
- Number of openings:
 - i-Button version: Up to 60,000.
 - Contactless versions: Up to 40.000 depending on the RFID technology.

ENVIRONMENTAL CONDITIONS:

- -20° / 60°.

CERTIFICATIONS:

- Declaration of Comity CE

Use of radio frequency spectrum

- ETSI EN 302 291-1 V1.1.1 (2005-07)
- ETSI EN 302 291-2 V1.1.1 (2005-07)

Electromagnetic Compatibility

- ETSI EN 301 489-1 (2011-09)
- ETSI EN 301 489-3 (2002-08)

Security requirements

- EN 60950-1 (2007)
- Following the provisions of the directive

Mechanical certifications against vandalisme & fire

- EN 1634 - 1 6 min. EI60 fire resistant*.

IP CERTIFICATIONS: Outdoor Protection Standard

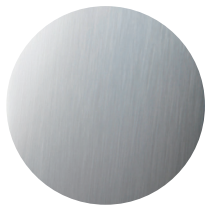
- IP56* MODEL (SALTO KS standard model)

SOLID PARTICLE RESISTANT	LIQUID INGRESS RESISTANT
Quantity of dust ingress is not sufficient to interfere normal operation.	Water projected in powerful jets (12.5mm nozzle) against the enclosure from any direction at least 3 minutes, 100 litres per minute, 100 kN/m ² at distance of 3m, shall have no harmful effects.

FINISHES:



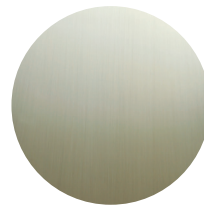
Satin
Stainless Steel
IM



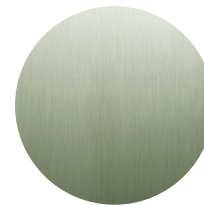
Polished
Stainless Steel
IP



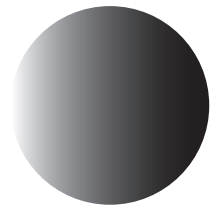
Satin
Brass
PM



Polished
Brass
PP



BioCote®
Antimicrobial
BCB



Black Satin
Chromium
NE

ACCESS CONTROL FEATURES:

SALTO KS System

Maximum number of users per door	unlimited
Maximum number of doors per system	unlimited
Maximum events on lock audit	unlimited
Maximum number of Masterkey Users	39
Maximum number of APP Users per IQ	100
User groups	unlimited
Time Zones	unlimited

AVAILABLE LOCK MODES:

- **STANDARD:** locked at all times.
- **OPEN AND OFFICE MODE.**
- **END OF OFFICE MODE.**

ID TECHNOLOGIES:

- DESFIRE EV1.

KEYS AVAILABLE: TAGS



Blue



White



Red



Lime Green



Grey

KEY BENEFITS INCLUDE:

- Tags meet ISO Standards.
- Battery free carriers.
- 1 Tag, 5 colors
- Waterproof.
- 13,56 Mhz.
- 1 Tag for multiple SALTO KS systems.
- Secure, copyproof data carrier for high security.
- Strong, ergonomic design for long life.
- High resistance to variations in weather conditions.
- Comfortable to use - can be carried on a key ring alongside "traditional keys".

SALTOKS.COM & SALTO KS APP: FEATURES

No software installation, scaling on any device, secured login, intuitive design, anything you may expect from today's cloud solution is in saltoks.com. Manage locks, people, messages and access rights with no hassle.

The Dashboard: saltoks.com always gives you up-to-date information and remote management of all SALTO KS components through the dashboard (door status, last entries, events and so on).

- **Access rights:** saltoks.com gives you the opportunity to individually determine who enters when and where. And if you want to change that just log-in, make your changes and it's done. No updating of SALTO KS Tag or SALTO KS Doorlock required.
- **Messaging:** saltoks.com always gives you up-to-date information and remote management of all SALTO KS components through the dashboard.

- **Security:** SALTO KS understands the importance of security. That's why we have incorporated state-of-the-art security measures in all our components and more important, we will keep updating that permanently. Not always visible but always there.
- **Remote opening:** One of the cool but really functional features of SALTO KS is the remote opening of doors with secure OneTimePassword technology. You may not use it every day but when you need it, you will be happy it's there.
- **Any device, any platform:** saltoks.com has been developed supporting all the latest browsers, devices and operating systems. From iOS to Windows and from laptop to Ipad.
- **SALTO KS App:** Available for IOS and Android Phones the SALTO KS App enables you to manage your SALTO KS system when you are on the go.

SALTO Systems reserves the right to modify technical specifications, designs and performance without notice. © SALTO SYSTEMS 2016