

# evoXs

heavy duty electronic locks



## Product Catalogue 2018/19



## evoXs, Our Solution for Robust Access Control

The electronic locking and access control system evoXs has been developed specifically for the use under adverse and challenging environmental conditions with a focus on the segments utilities, communications, transport/logistics and industrial applications. Users in these segments expect minimal maintenance costs of locks and an excellent protection against vandalism. Malfunction due to particulate sedimentation is impossible, as the locks do not possess key ways. evoXs locks operate without batteries. As a result quite compact electronic actuators can be used which are resistant against moist or particulate sedimentation. The rechargeable key provides power to the locks via two contacts during the opening and closing operations. This eliminates maintenance and battery costs for all locks.

Sophisticated electronic keys are the outstanding feature of the evoXs system. The keys

- Communicate via contacts with the locks
- Can be programmed via NFC and RFID by card readers, programming devices and smartphones

Thereby the evoXs user keys are key and programming device at the same time.

The simple and intuitively to operate system management software provides the administrative environment for the complete locking- and access control system. The software is optionally available as single user version, client/server version or as web application.

Based on a broad range of locking solutions for most diverse applications both online- and offline doors may be realized. Online with door managers and wall readers. Offline with locking cylinders and as virtual networks via online door managers.

Naturally our production is certified according to ISO 9001 and ISO 14001.

# Table of contents

Page 4	User Key
Page 6	Design Keys
Page 8	Multifunction Key
Page 10	Europrofile Double Cylinders
Page 12	Europrofile Half Cylinders
Page 14	Cam Locks
Page 16	Vending Machine and Showcase Cylinders
Page 18	Padlocks
Page 20	Swing Handle Locks/L-Handle Locks
Page 22	Miscellaneous Locks
Page 24	Door Managers and Wall Readers
Page 28	Programming Devices
Page 30	System Administration Software
Page 32	Services   Training   Sales Support   Accessories

# evoXs-Keys

---

## User Key



The user key with integrated battery provides the locks during the opening- and locking process with power in order to verify the access authorizations and to operate the locks in case of an authorized access. The user key is programmed via an embedded NFC chip using either an RFID/NFC based programming device, an NFC enabled smartphone or virtually networked via a door manager.

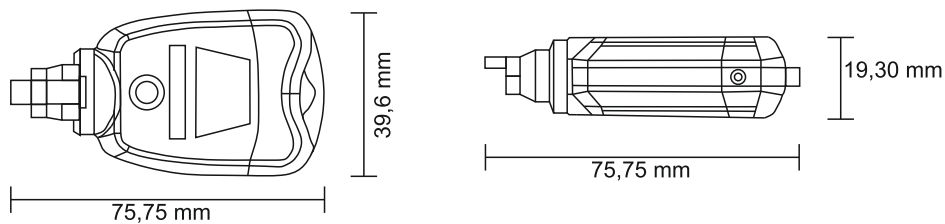
Furthermore the User key is able to record store events (door operations) that can be transferred to the management software by either using an RFID/NFC based programming device, an NFC enabled smartphone or as a virtual network via door managers.

### Product Versions

Smart Key	Ordering Code
User Key	100.000
Multifunction Key	100.001
Bluetooth design key, integrated display	100.003
Bluetooth design key	100.004
NFC design key	100.283
Surcharge RFID chip inlay 125 kHz, integrated ex works in either Bluetooth - or NFC design key (To be specified and approved in system test by end-user)	on request
Surcharge RFID chip inlay 13,56 kHz, integrated ex works in either Bluetooth - or NFC design key (To be specified and approved in system test by end-user)	on request

# evoXs-Keys

---



## Technical Data:

- Black plastic housing
- Dimensions in mm: l: 75,8 x w:39,6 x h:19,3
- Protection class: IP65
- Signalling: Bicolour LED blue/red, acoustic buzzer
- Protection against electrostatic discharge 8 KV (contact) und 15 KV (contactless)
- Battery life cyclers: up to 50.000 operations or 6 years stand-by
- NFC write-/read distance < 3cm
- Data retention > 10 years
- AES 128 Bit encryption
- Max. 3.000 locks or lock groups
- Max. 3.000 events
- Operating temperature: -20°C - +70°C
- Humidity: 20% - 90%

# evoXs-Keys

## Design Keys



The design key with rechargeable battery provide the locks during the opening- and locking process with power in order to verify the access authorizations and to operate the locks in case of an authorized access. The design key is programmed by using either a BLE 4.0 or NFC- enabled smartphone, a Bluetooth/NFC programming device or a door manager in a virtual network.

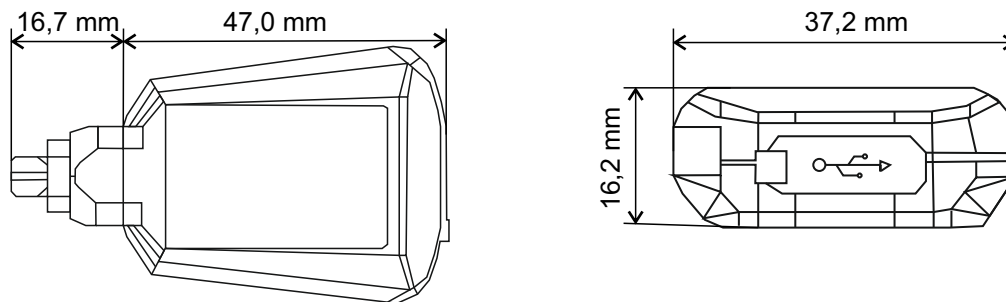
Furthermore, the design key is able to record events (door operations) that can be transferred to the management software by using either a Bluetooth/NFC programming device, a BLE 4.0 enabled smartphone or via a Bluetooth/NFC programming device or a door manager in a virtual network.

The design key is available in versions with LED (In the NFC version a bicolour LED is used) or with display (BLE version only) and possesses forty percent less space.

### Product Versions

Smart Key	Ordering Code
User Key	100.000
Multifunction Key	100.001
Bluetooth design key, integrated display	100.003
Bluetooth design key	100.004
NFC design key	100.283
Surcharge RFID chip inlay 125 kHz, integrated ex works in either Bluetooth - or NFC design key (To be specified and approved in system test by end-user)	on request
Surcharge RFID chip inlay 13,56 kHz, integrated ex works in either Bluetooth - or NFC design key (To be specified and approved in system test by end-user)	on request

# evoXs-Keys



## Technical Data:

- Black plastic housing
- Dimensions in mm: l:63,7 x x w:37,2 x h:16,2
- Protection class: IP54
- Signalling Bluetooth design key: LED red/green, acoustic buzzer
- Signalling Bluetooth design key with display: Display size 0,96 inch, resolution 128x64 pixel, acoustic buzzer
- Protection against electrostatic discharge 8 KV (contact) und 15 KV (contactless)
- Rechargeable battery (capacity 180 mAh): Up to 3.000 operations or 3 months stand-by
- Charging voltage 5V DC, Micro USB charger interface
- Integrated Bluetooth 4.0 module (Bluetooth design keys only)
- Distance between Bluetooth sender and reader max. 3m
- Data retention > 10 years
- AES 128 Bit encryption
- Max. 3.000 locks or lock groups
- Max. 3.000 events
- Detection of rotation direction (under preparation)
- Operating temperature: -20°C - +70°C
- Humidity: 20% - 90%

# evoXs-Keys

## Multifunction Key



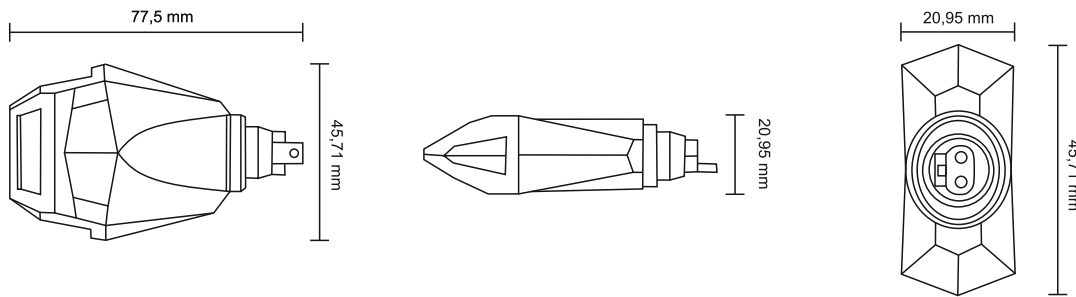
The multifunction key with integrated battery is used to transfer configuration data (system code, lock-id, authorized keys and disabled keys) into the locks respectively to read out access lists from the locks. The respective tasks the multifunction key has to perform are programmed into the multifunction key. For different administration tasks multiple multifunction keys may be assigned in one locking system.

### Product Versions

Smart Key	Ordering Code
User Key	100.000
Multifunction Key	100.001
Bluetooth design key, integrated display	100.003
Bluetooth design key	100.004
NFC design key	100.283
Surcharge RFID chip inlay 125 kHz, integrated ex works in either Bluetooth - or NFC design key (To be specified and approved in system test by end-user)	on request
Surcharge RFID chip inlay 13,56 kHz, integrated ex works in either Bluetooth - or NFC design key (To be specified and approved in system test by end-user)	on request



# evoXs-Keys



## Technical Data:

- Black plastic housing
- Dimensions in mm: l:77,5 x W:45,7 x h:21,0
- Protection class: IP54
- Signalling: Bicolour LED blue/red, acoustic buzzer
- Protection against electrostatic discharge 8 KV (contact) und 15 KV (contactless)
- Battery life cycle: up to 50.000 operations or 6 years stand-by
- NFC write-/read distance < 3cm
- Data retention > 10 years
- AES 128 Bit encryption
- Event keys may read out and buffer access lists of max. 300 locks
- Operating temperature: -20°C - +70°C
- Humidity: 20% - 90%

# evoXs-Locks

## Europrofile Double Cylinders

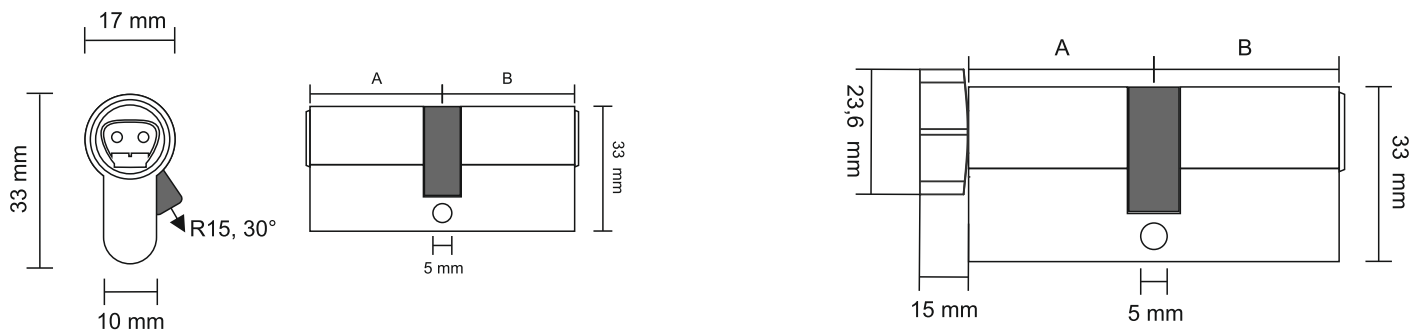


Mechatronic locking cylinders with encapsulated electronic assembly according to DIN EN 15684 / DIN 18252 / EN 1303 for installation in Europrofile locks according to DIN 18251. Suitable for installation in locks according to DIN 18250 (fire and smoke protection). Low maintenance due to contact based power supply by the battery-powered key.

### Product Versions

Europrofile Cylinders All dimensions exterior/interior in mm	Ordering Code
Double cylinder, e lectronic locking on exterior and interior sides, basic length 40/40	100.010
Double cylinder, decoupled cam when key is removed, electronic locking on exterior and interior sides	on request
Double cylinder, thumbturn on the interior side, basic length 37 ,5/30	100.055
Half cylinder, basic length 30/10	100.129
Half cylinder, adjustable cam, basic length 30/10	100.264
Surcharge cylinder extensions per each additional 5 mm, up to 80mm total length. Measured starting basic length . For double cylinders max. length 120mm	
Surcharge special length cylinders with total length more than 80mm for half cylinders and more than 120mm for double cylinders	

# evoXs-Locks



A = Internal length (Basic length plus extension)  
 B = external length (Basic length plus extension)

## Technical Data:

- Europrofile cylinders according to DIN EN 15684 / DIN 18252 / EN 1303
- Stainless steel design
- Versions:
  - Double cylinder, electronic locking on exterior and interior sides, basic length 40/40 (external/internal in mm)
  - Double cylinder, decoupled cam when key is removed, electronic locking on exterior and interior sides
  - Double cylinder, thumbturn on the interior side, basic length 37,5/30 (external/internal in mm)
- Total length max. 120 mm and max 80mm on one side, special lengths on request
- Protection class: IP 68
- Protection against electrostatic discharge 8 KV (contact) und 15 KV (contactless)
- Surge protection 500 mA
- Electronic assembly sealed as protection against humidity and dust
- Data retention > 10 years
- Double verification code
- Recording of 10 blacklist entries and the last 16 events
- Operating temperature: -40°C - +80°C

# evoXs-Locks

## Europrofile Half Cylinder

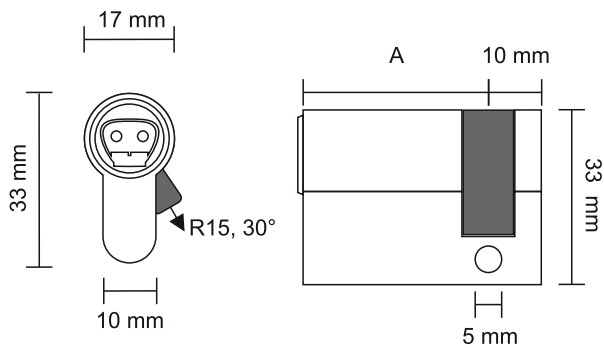


Mechatronic locking cylinders with encapsulated electronic assembly according to DIN EN 15684 / DIN 18252 / EN 1303 for installation in Europrofile locks according to DIN 18251. Low maintenance due to contact based power supply by the battery-powered key.

### Product Versions

Europrofile Cylinders All dimensions exterior/interior in mm	Ordering Code
Double cylinder, e lectronic locking on exterior and interior sides, basic length 40/40	100.010
Double cylinder, decoupled cam when key is removed, electronic locking on exterior and interior sides	on request
Double cylinder, thumbturn on the interior side, basic length 37 ,5/30	100.055
Half cylinder, basic length 30/10	100.129
Half cylinder, adjustable cam, basic length 30/10	100.264
Surcharge cylinder extensions per each additional 5 mm, up to 80mm total length. Measured starting basic length . For double cylinders max. length 120mm	
Surcharge special length cylinders with total length more than 80mm for half cylinders and more than 120mm for double cylinders	

# evoXs-Locks



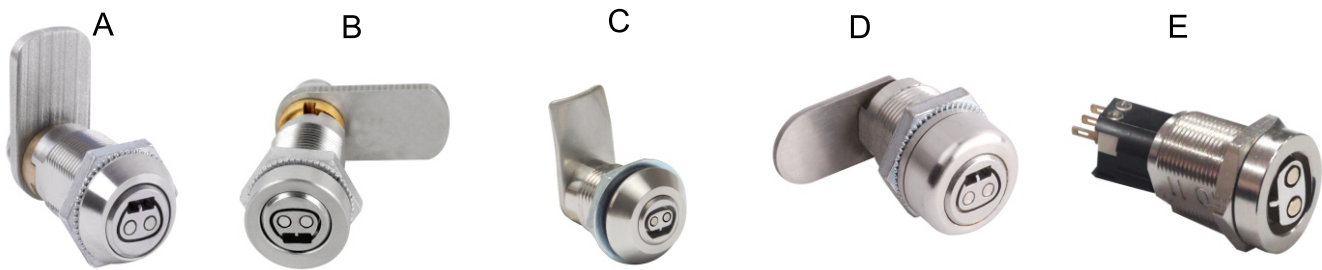
A = Cylinder length (Basic length plus extension)

## Technical Data:

- Europrofile cylinders according to DIN EN 15684 / DIN 18252 / EN 1303
- Stainless steel design
- Basic length 30/10 (external/internal in mm)
- Total length max. 80 mm, special lengths on request
- Version with 8-ways adjustable cam (in steps of 45°)
- Protection class: IP 68
- Protection against electrostatic discharge 8 KV (contact) und 15 KV (contactless)
- Surge protection 500 mA
- Electronic assembly sealed as protection against humidity and dust
- Data retention > 10 years
- Double verification code
- Recording of 10 blacklist entries and the last 16 events
- Operating temperature: -40°C - +80°C

# evoXs-Locks

## Cam Locks

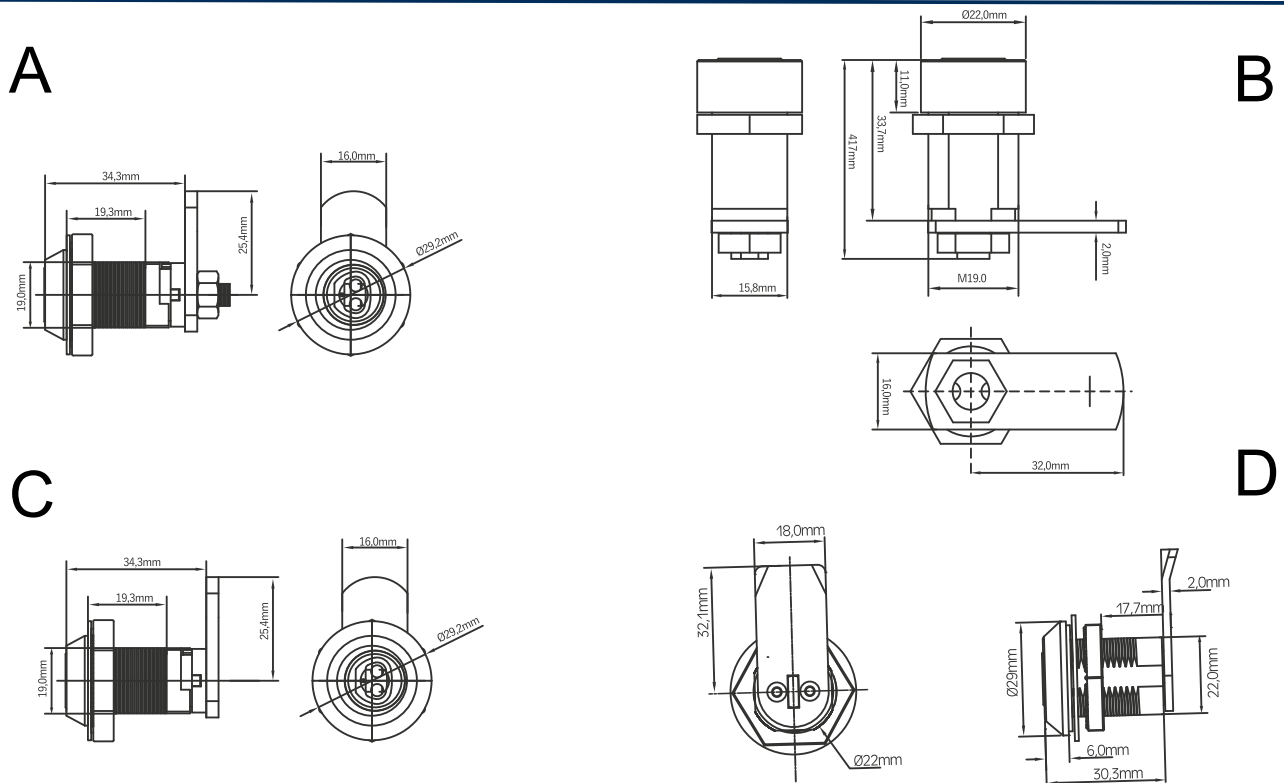


Mechatronic cam locks with encapsulated electronic assembly. These mechatronic locking cylinders operate without batteries and are therefore low maintenance. The battery-powered key provides power during operation. The cam cylinders are available in versions with different thread diameters, rotation angles and levers. Customized versions can be offered upon request.

### Product Versions

Cam Locks	Ordering Code	
Cam lock, thread Ø M19, cam fixed by nut, 90° rotation, conic escutcheon	100.140	A
Cam lock, thread Ø M19, cam fixed by nut, 270° rotation, conic escutcheon	100.141	A
Cam lock, thread Ø M19, cam fixed by nut, 360° rotation, conic escutcheon	100.142	A
Cam lock, thread Ø M19, cam fixed by nut, 90° rotation, key retained, conic escutcheon	100.143	A
Cam lock, thread Ø M19, cam fixed by nut, 270° rotation, key retained, conic escutcheon	100.144	A
Cam lock, thread Ø M19, cam fixed by nut, 90° rotation	100.145	B
Cam lock, thread Ø M19, cam fixed by nut, 270° rotation	100.146	B
Cam lock, thread Ø M19, cam fixed by nut, 360° rotation	100.147	B
Cam lock, thread Ø M19, cam fixed by nut, 90° rotation, key retained	100.148	B
Cam lock, thread Ø M19, cam fixed by nut, 270° rotation, key retained	100.149	B
Cam lock, thread Ø M19, cam fixed by screws, cam position , 90° rotation	100.150	C
Cam lock, thread Ø M19, cam fixed by screws, 270° rotation	100.151	C
Cam lock, thread Ø M19, cam fixed by screws, 360° rotation	100.152	C
Cam lock, thread Ø M19, cam fixed by screws, 90° rotation, key retained	100.153	C
Cam lock, thread Ø M19, cam fixed by screws, 270° rotation, key retained	100.154	C
Cam lock, thread Ø M22 , cam fixed by screws, 360° rotation	100.155	D
Switch lock, thread Ø M19 and thread Ø M22, available as per customer specification		E

# evoXs-Locks

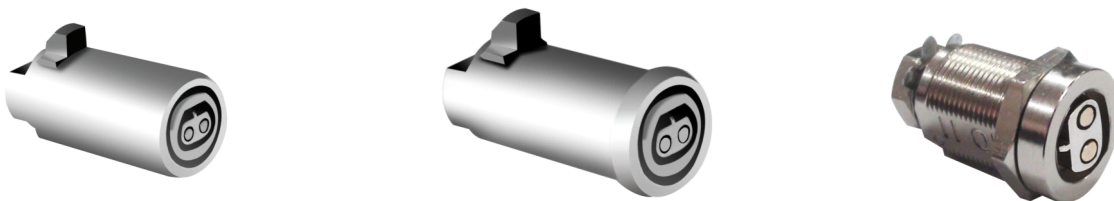


## Technical Data:

- Stainless steel design
- Protection class: IP 68
- Protection against electrostatic discharge 8 KV (contact) und 15 KV (contactless)
- Surge protection 500 mA
- Electronic assembly sealed as protection against humidity and dust
- Data retention > 10 years
- Double verification code
- Recording of 10 blacklist entries and the last 16 events
- Operating temperature: -40°C - +80°C

# evoXs-Locks

## Vending Machine and Showcase Cylinders



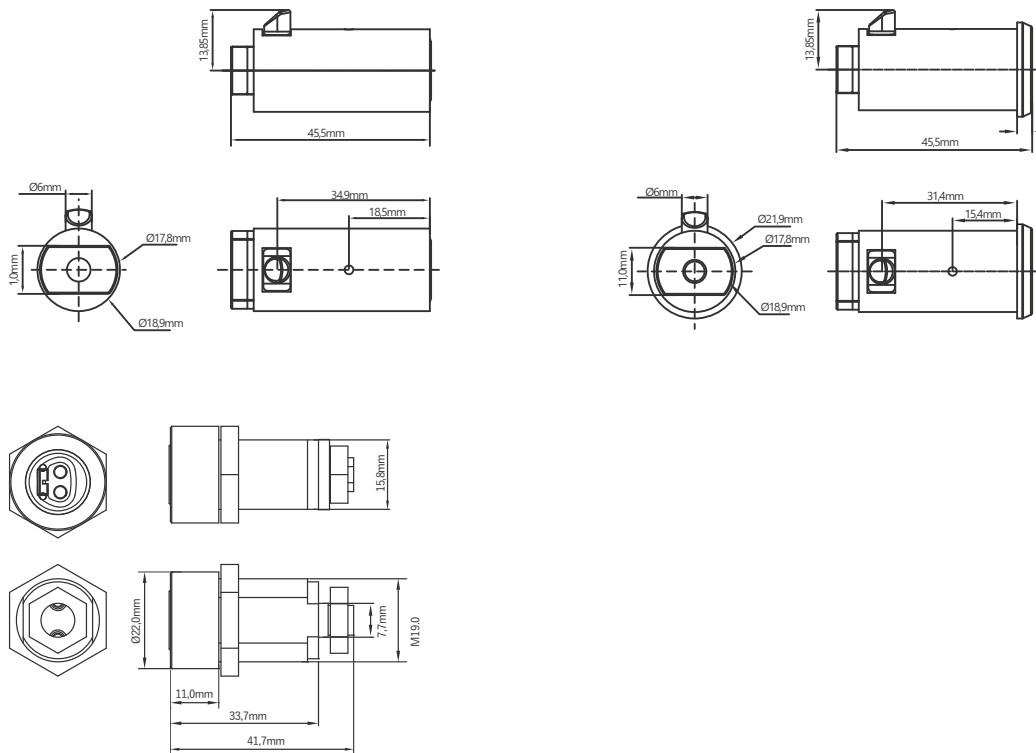
Compact mechatronic locking cylinders with encapsulated electronic assembly for use in secured vending machines or display cabinets. This mechatronic locking cylinders operate without batteries and are therefore low in maintenance. The battery-powered key provides power during operation.

### Product Versions

Vending Machine and Showcase Cylinders	Ordering Code
Vending machine lock, thread Ø M19, cam fixed by nut	100.156
Vending machine lock, for installation from the front	100.157
Showcase lock	100.158



# evoXs-Locks



## Technical Data:

- Stainless steel design
- Protection class: IP 68
- Vending machine cylinders available in versions for rear-mount and front installation
- Protection against electrostatic discharge 8 KV (contact) und 15 KV (contactless)
- Surge protection 500 mA
- Electronic assembly sealed as protection against humidity and dust
- Data retention > 10 years
- Double verification code
- Recording of 10 blacklist entries and the last 16 events
- Operating temperature: -40°C - +80°C

# evoXs-Padlocks

---



Mechatronische Vorhängeschlösser mit integrierter, gekapselter Elektronikbaugruppe. Diese mechatronischen Vorhängeschlösser arbeiten batterieelos und sind somit wartungsarm. Die Spannungsversorgung erfolgt kontaktbasiert durch die Schlüssel während der Betätigung. Diese Vorhängeschlösser sind für den Außeneinsatz unter extremen Bedingungen konstruiert. Die Vorhängeschlösser gibt es in verschiedenen Bauformen mit diversen Breiten, Bügelhöhen und Bügeldurchmessern und als Varianten mit und ohne Zwangsschließung.

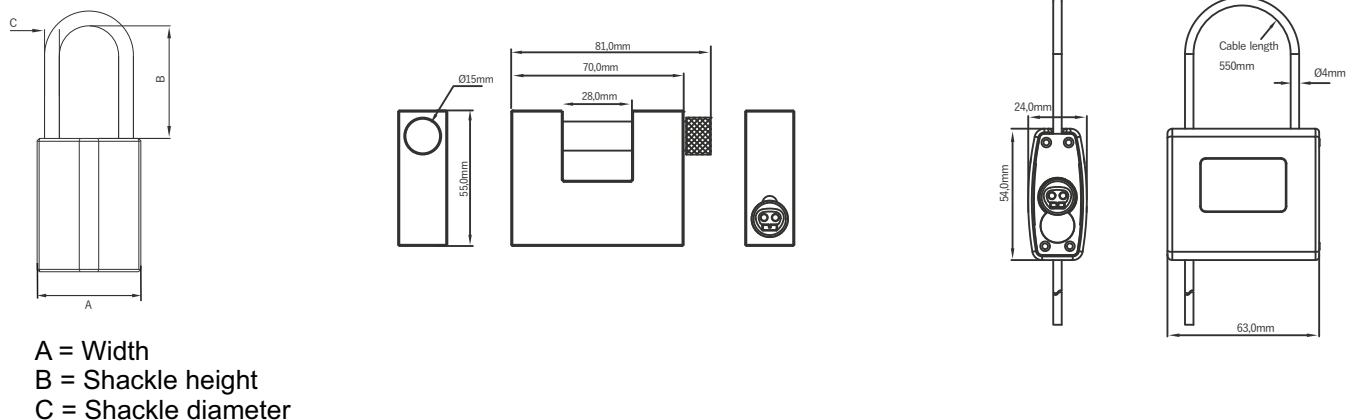
## Product Versions

Padlocks	Ordering Code
Padlock, width 35mm, shackle height 12mm, shackle Ø 5mm	100.159
Padlock, width 35mm, shackle height 17mm, shackle Ø 5mm	100.160
Padlock, width 35mm, shackle height 38mm, shackle Ø 5mm	100.161
Padlock, width 40mm, shackle height 27mm, shackle Ø 6,5mm	100.165
Padlock, width 40mm, shackle height 38mm, shackle Ø 6,5mm	100.166
Padlock, width 40mm, shackle height 50mm, shackle Ø 6,5mm	100.167
Padlock, width 40mm, shackle height 75mm, shackle Ø 6,5mm	100.168
Padlock, width 40mm, shackle height 90mm, shackle Ø 6,5mm	100.169
Padlock, width 45mm, shackle height 27mm, shackle Ø 8mm	100.175
Padlock, width 45mm, shackle height 38mm, shackle Ø 8mm	100.176
Padlock, width 45mm, shackle height 50mm, shackle Ø 8mm	100.177
Padlock, width 45mm, shackle height 75 mm, shackle Ø 8mm	100.178
Padlock, width 45mm, shackle height 90mm, shackle Ø 8mm	100.179

# evoXs-Padlocks

## Product Versions

Padlocks	Ordering Code
Padlock, width 55mm, shackle height 27mm, shackle Ø 10mm	100.185
Padlock, width 55mm, shackle height 38mm, shackle Ø 10mm	100.186
Padlock, width 55mm, shackle height 50mm, shackle Ø 10mm	100.187
Padlock, width 55mm, shackle height 75mm, shackle Ø 10mm	100.188
Padlock, width 55mm, shackle height 90 mm, shackle Ø 10mm	100.189
Surcharge for key retained versions	
Lateral opening padlock, width 70mm, bolt Ø 15mm	100.195
Cable padlock, width 63mm, cable length 550mm, cable Ø 4mm	100.196



## Technical Data:

- Stainless steel design
- Cable Padlock and lateral opening padlock versions available
- Protection class: IP 68
- Protection against electrostatic discharge 8 KV (contact) und 15 KV (contactless)
- Surge protection 500 mA
- Electronic assembly sealed as protection against humidity and dust
- Data retention > 10 years
- Double verification code
- Recording of 10 blacklist entries and the last 16 events
- Operating temperature: -40°C - +80°C

# evoXs-Locks with Lever

## Swing Handle Locks/L-Handle Locks

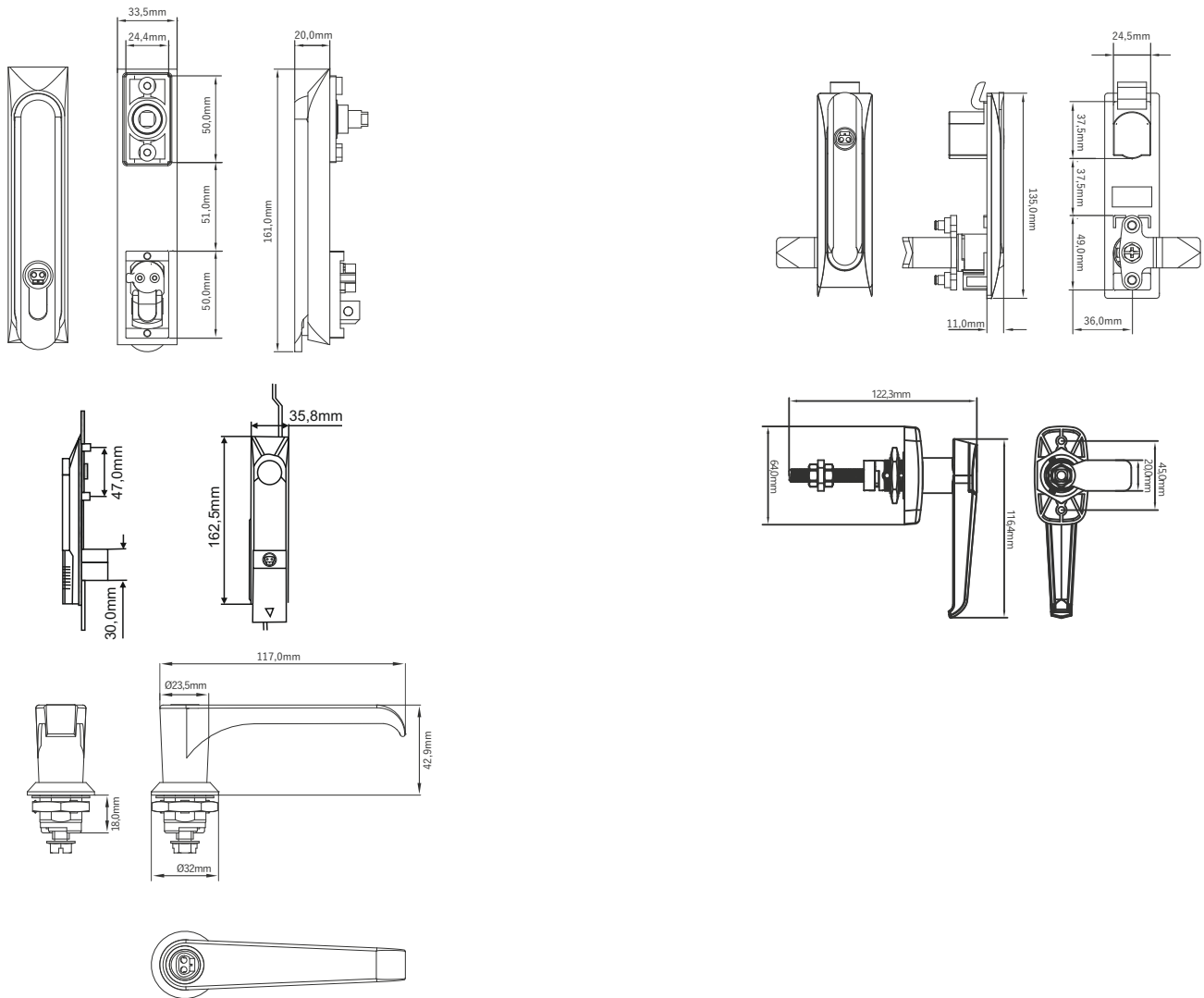


Mechatronic Swing- and L-handles with encapsulated electronic assembly. These mechatronic swing handles and L-handles operate without batteries and are therefore low maintenance. The battery-powered key provides power during operation. Locks are suitable for external use under extremely adverse environmental conditions.

### Product Versions

Swing Handle Locks/L-Handle Locks	Ordering Code
Swing handle with integrated cam lock with radially adjustable cylinder cover	100.197
Swing handle with integrated bar lock with vertically adjustable cylinder cover	100.198
Swing handle with integrated bar lock with radially adjustable cylinder cover, housing plastic	100.199
Swing handle with integrated bar lock with vertically adjustable cylinder cover, housing zinc alloy	100.200
L-handle with integrated cam lock, spindle length 70,2mm	100.201
L-handle with integrated cam lock, escutcheon fixed by screws from inside. Spindle length 70,2mm	100.202
L-handle with integrated cam lock, escutcheon fixed by screws from inside. Spindle length 122mm	100.203

# evoXs-Locks with Lever



## Technical Data:

- Stainless steel design
- Protection class: IP 68
- Protection against electrostatic discharge 8 KV (contact) und 15 KV (contactless)
- Surge protection 500 mA
- Electronic assembly sealed as protection against humidity and dust
- Data retention > 10 years
- Double verification code
- Recording of 10 blacklist entries and the last 16 events
- Operating temperature: -40°C - +80°C

# Miscellaneous evoXs-Locks

---

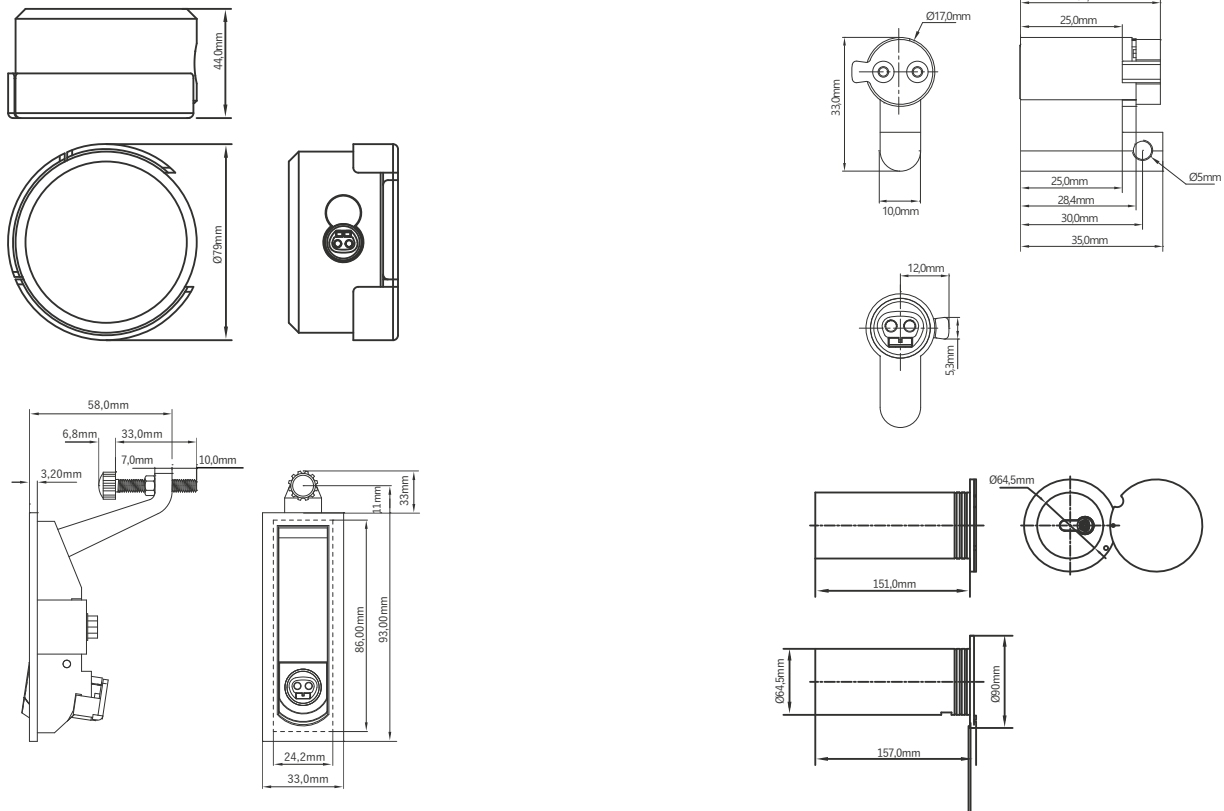


Mechatronic locking cylinders and locks for special operations with encapsulated electronic assembly. These mechatronic special solutions operate without batteries and are therefore low maintenance. The battery-powered key provides power during operation.

## Product Versions

Miscellaneous Locks	Ordering Code
Hockey puck with hasp	100.204
Hockey puck	100.205
Swing handle cylinder. Basic length 30/05	100.206
Compression lock	100.207
Key safe tube including lock and cover, length 157mm, Ø 10mm	100.208

# Miscellaneous evoXs-Locks



## Technical Data:

- Stainless steel design
- Protection class: IP 68
- Protection against electrostatic discharge 8 KV (contact) und 15 KV (contactless)
- Surge protection 500 mA
- Electronic assembly sealed as protection against humidity and dust
- Data retention > 10 years
- Double verification code
- Recording of 10 blacklist entries and the last 16 events
- Operating temperature: -40°C - +80°C

# evoXs Door Managers and Readers

## Offline Door Manager



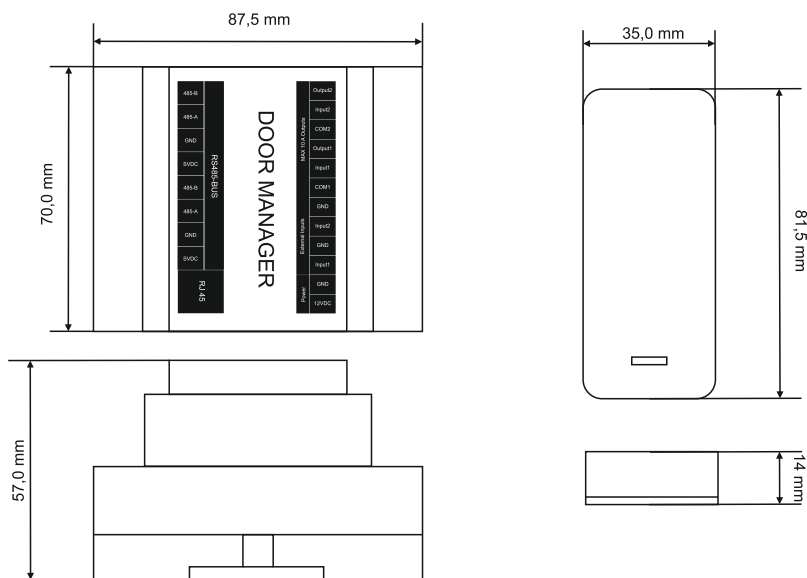
The door manager consists of a complete controller including one wall reader. Optionally a second wall reader is available, e.g. to facilitate an authorized door passage from both sides. The wall readers are available in different housings.

### Product Versions:

Door Managers and Readers	Ordering Code
Door manager including wall reader, offline capability	100.209
Door manager including 2 wall readers, offline capability	100.210
Door manager only, offline capability	100.211
Wall reader A	100.212
Wall reader B (Secondary reader)	100.213
Door manager including built in NFC and Bluetooth reader, display, hot point functionality, online/offline capability. Plastic Housing	100.214
Door manager including built in NFC and Bluetooth reader, display, hot point functionality, online/offline capability. Stainless steel housing	100.254
Key safe with integrated online DMU for secure storage of system keys	100.215
Wall reader NFC and Bluetooth for use with article numbers 100214, 100215 and 100254, square design	100.255
Wall reader NFC and Bluetooth for use with article numbers 100214, 100215 and 100254, rectangular design	100.256
Door manager including square wall reader (new), offline capability	100.216
Door manager including 2 square wall readers (new), A/B, offline capability	100.217
Door manager including rectangular wall reader (new), offline capability	100.218
Door manager including 2 rectangular wall readers (new), A/B, offline capability	100.219
Wall reader A new, square	100.220
Wall reader B (Secondary reader) new, square	100.221
Wall reader A new, rectangular	100.222
Wall reader B (Secondary reader) new, rectangular	100.223
Key switch with build-in half cylinder (30/10), surface installation	100.277



# evoXs Door Managers and Readers

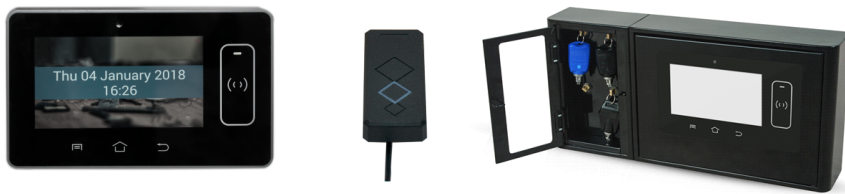


## Technical Data:

- Door Manager (Offline):
  - Light coloured plastic rail housing, 4TE
  - Dimensions in mm: l:72 x w:96 x h:69
- Door Manager with display and integrated NFC reader (Online):
  - Dimensions in mm: l:247 x w:35 x h:153
  - Screen diagonal: 7 inches
  - Resolution: 1024x600
  - Communication Interfaces: USB, TCP/IP, RS485
- Power Supply 12V DC
- Write-/Read speed < 0,2s
- NFC write-/read distance < 3cm
- Data retention > 10 years
- Operating temperature: -10°C - +60°C
- Humidity: 20% - 90%

# evoXs Door Managers and Readers

## Online Door Manager

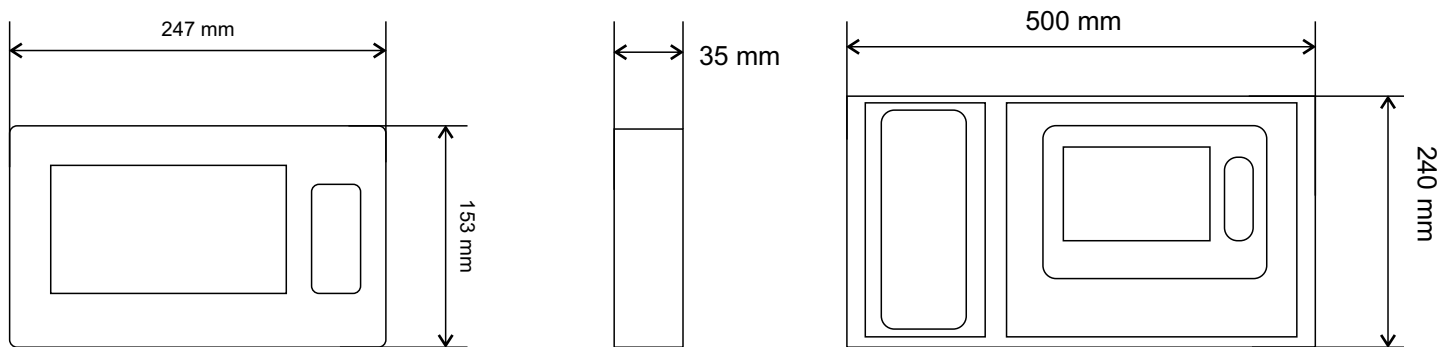


The door manager with integrated display and NFC/Bluetooth reader can be deployed online as well as offline. Furthermore it can be used as hot point in a virtual evoXs network. Via the door manager an updated key validation as well as changes in authorizations will be assigned to a key. Moreover, the access list of a key will be read out and transmitted to the database. The display allows to view information about the validation period of a key, the content of the access list and much more.

### Product Versions:

Door Managers and Readers	Ordering Code
Door manager including wall reader, offline capability	100.209
Door manager including 2 wall readers, offline capability	100.210
Door manager only, offline capability	100.211
Wall reader A	100.212
Wall reader B (Secondary reader)	100.213
Door manager including built in NFC and Bluetooth reader, display, hot point functionality , online/offline capability. Plastic Housing	100.214
Door manager including built in NFC and Bluetooth reader, display, hot point functionality, online/offline capability. Stainless steel housing	100.254
Key safe with integrated online DMU for secure storage of system keys	100.215
Wall reader NFC and Bluetooth for use with article numbers 100214, 100215 and 100254, square design	100.255
Wall reader NFC and Bluetooth for use with article numbers 100214, 100215 and 100254, rectangular design	100.256
Door manager including square wall reader (new), offline capability	100.216
Door manager including 2 square wall readers (new), A/B, offline capability	100.217
Door manager including rectangular wall reader (new), offline capability	100.218
Door manager including 2 rectangular wall readers (new), A/B, offline capability	100.219
Wall reader A new, square	100.220
Wall reader B (Secondary reader) new, square	100.221
Wall reader A new, rectangular	100.222
Wall reader B (Secondary reader) new, rectangular	100.223
Key switch with build-in half cylinder (30/10), surface installation	100.277

# evoXs Door Managers and Readers



## Technical Data:

- Door Manager (Offline):
  - Light coloured plastic rail housing, 4TE
  - Dimensions in mm: l:72 x w:96 x h:69
- Door Manager with display and integrated NFC reader (Online):
  - Dimensions in mm: l:247 x w:35 x h:153
  - Screen diagonal: 7 inches
  - Resolution: 1024x600
  - Communication Interfaces: USB, TCP/IP, RS485
- Power Supply 12V DC
- Write-/Read speed < 0,2s
- NFC write-/read distance < 3cm
- Data retention > 10 years
- Operating temperature: -10°C - +60°C
- Humidity: 20% - 90%

# evoXs Programming Device

---



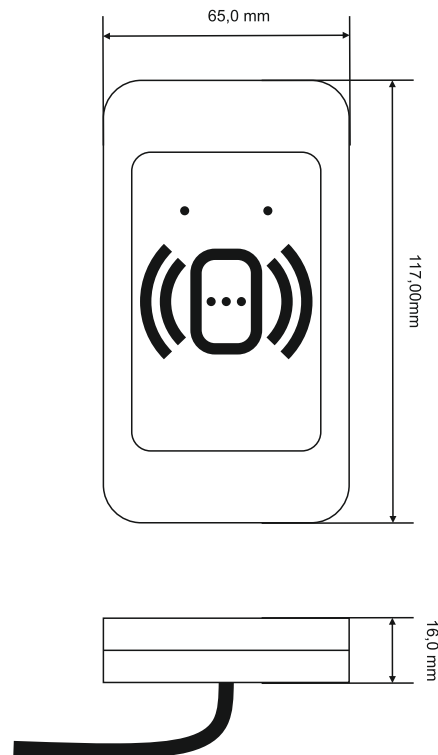
The evoXs programming device serves to transmit via RFID-/NFC or bluetooth technology the lock- and access rights as defined in the system administration software to the respective keys. In addition, the information stored in a key may be transmitted to the system administration software. The multifunction key is also configured via the programming device.

## Product Versions:

Programming	Ordering Code
Programming device for the programming of NFC keys	100.224
Programming device for the programming of NFC- and Bluetooth keys	100.257

# evoXs Programming Device

---



## Technical Data:

- Light coloured plastic housing
- Dimensions in mm: l: 108mm x w: 65mm x h: 18mm
- USB Interface
- Power Supply 5V
- Operating current < 70mA
- Data transmission rate 115.200 bps
- NFC write-/read distance < 3cm
- Operating temperature: -20°C - +60°C
- Humidity: 20% - 90%

# evoXs System Administration Software

---



The simple and intuitively to operate system management software provides the administrative environment for the complete locking- and access control system. Essential tasks are managing key administration for employees and temporarily authorized persons, the programming of locking cylinders, locks and further system components with access rights, access administration in a virtual network, or the read-out of data stored in the programming device.

The system administration software is optionally available as single user version, client/server version or as web application. Apps for Android and IOS are available in order to incorporate smartphones as programming devices into the system. It goes without saying that the different evoXs versions are upward compatible and hence secure your long-term investment into the evoXs locking- and access control system.

## Product Versions:

System Administration Software	Ordering Code
KMS Professional Client Administration Software, Client/Server structure. Manages up to 3.000 users/user-groups and up to 3.000 locks.	100.228
KMS Professional Client Administration Software, Client/Server structure. Manages up to 3.000 users/user-groups and up to 8.000 locks.	100.299
KMS Professional Client Administration Software, Client/Server structure. Manages up to 3.000 users/user-groups and up to 20.000 locks.	100.300
KMS Professional Client Administration Software, Client/Server structure. Manages up to 3.000 users/user-groups and up to 60.000 locks.	100.301
KMS Enterprise Client Administration Software, Web-client based for up to 3.000 users/user-groups and 3.000 locks	100.230
KMS Enterprise Client Administration Software, Web-client based for up to 3.000 users/user-groups and 8.000 locks	100.231
KMS Enterprise Client Administration Software, Web-client based for up to 3.000 users/user-groups and 20.000 locks	100.274
KMS Enterprise Client Manager Administration Software, Web-client based for systems with up to 60.000 users/user-groups and 60.000 locks	100.275

# evoXs-System- und Verwaltungssoftware

---

## Technical Data:

- MySQL data base
- Multiuser capability
- Multi-client capability
- Enterprise version with optional web clients
- Messaging interface for sending SMS and Email information
- ASCII interface for export and import of master data
- LDAP interface for import of directory data
- Software Integration Kit (SIK) for data exchange with third party software (Details on request)

## System Requirements

- RAM: min.1GB
- Hard Disk: min. %GB available memory space
- Operating systems supported: Windows XP, Windows 7, 8, 10, Windows Server 2008, 2012 and 2016
- Support 32-bit and 64-bit operating systems
- Server needs to operate continuously and with fixed IP-address
- Screen resolution: min. 1280x720, TFT monitors with more than 32 colours
- Supported products: PC or Laptop, evoXs programming device, evoXs keys, evoXs locks, evoXs door managers and smartphones

# evoXs-Accessories

## Services | Training | Sales Support | Accessories

Emloc provides diverse various support services for the successful introduction of the evoXs locking and access control system - from the planning phase, project engineering up to the commissioning. Additionally we develop on request interfaces and modules for interfacing into existing systems. Our range of training services complements our service offerings. A sample case containing the essential system components is available for presentations of our system.

Portfolio:

Services	Ordering Code
Project engineering at site per person and day (travel expenses and allowances in addition)	100.235
Commissioning at site per person and day (travel expenses and allowances in addition)	100.236
Service call in accordance to report per hour (travel expenses and allowances in addition)	100.237
Car allowance per Km	100.238
Accommodation expenses and travel to destination by plane, train, rental car, public transportation or combination of those	100.239
Daily allowance per person per day	100.240
Training (Prices per person at the premisses of Emloc GmbH, exception product - and software training at customers site)	
Basic	100.241
Technical training and installation	100.242
Training as per customers requirements	100.243
Product and software training at site per day per trainer (In addition travel expenses and allowances)	100.244



# evoXs-Accessories



Sales Support	
Mock-Up for product presentations equipped with: 1x Plexiglass display 1x Bluetooth design key, 1x Padlock width 45mm (shackle height 27mm, shackle Ø 8mm), 1x Cam lock with thread Ø M19 (cam fixed by nut, 90° rotation), 1x Double cylinder with electronic locking on exterior and interior sides (basic length 40/40), 1x Half cylinder (basic length 30/10), 1x Half cylinder (construction length 35/10)	100.259
Sample case: Dimensions (external) 390 x 100 x 280 mm (WxHxD), housing aluminium, containing: 1x User key, 1x Programming key, 1x NFC design key, 1x Bluetooth design key with integrated display, 1x KMS Professional Client Evaluation Software, 1x Programming Device for programming of NFC - and Bluetooth keys, 1x Door Manager incl. Wall reader, 1x Padlock width 45mm (shackle height 27mm, shackle Ø 8mm), 1x Cam lock with thread Ø M19 (cam fixed by nut, 90° rotation), 1x Double cylinder with electronic locking on exterior and interior sides (basic length 40/40), Double cylinder, thumbturn on the interior side (construction length 40/40), 1x Half cylinder with adjustable cam (basic length 30/10), 1x Half cylinder (construction length 35/10)	100.296

Accessories	
Escutcheon for Europrofile cylinders, height 8mm	100.246
Sample case: Dimensions (external) 390 x 100 x 280 mm (WxHxD), w/o inlay and samples	100.247
Inlay for sample case	100.248



# Notes

---



# Notes

---



---

Emloc GmbH  
Meglingerstraße 60  
81477 Munich  
Germany

Contact: [info@emloc.de](mailto:info@emloc.de)

Further Information: [www.emloc.de](http://www.emloc.de)